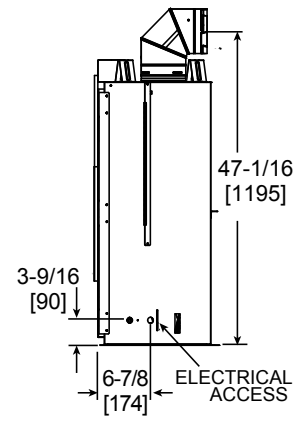
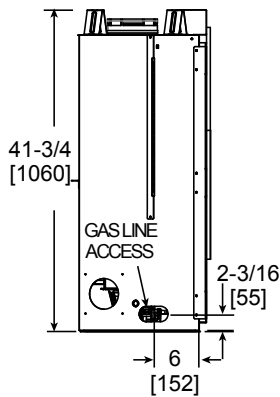
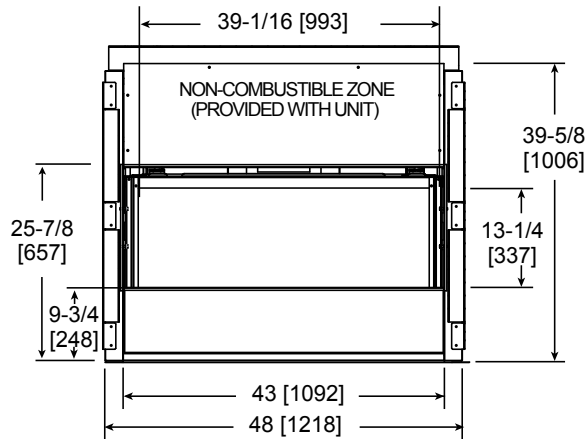
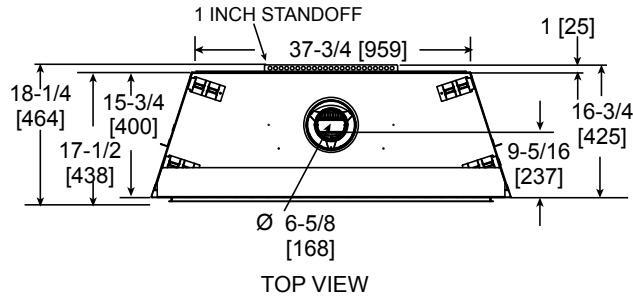




Please consult the manufacturer's installation manual for all details and requirements before making a final design layout decision.

Cosmo-SLR
Direct Vent Gas Fireplace

MODEL	FRONT WIDTH		BACK WIDTH		HEIGHT		DEPTH		VIEWING AREA
	Actual	Framing	Actual	Framing	Actual	Framing	Actual	Framing	
Cosmo SLR	48	50	37-3/4	50	39-5/8	42-1/4	16-3/4	18-1/4	39-1/16 x 13-1/4



MINIMUM FIREPLACE CLEARANCES

AREA	TO COMBUSTIBLES (in inches)
CLEARANCE TO CEILING	31
NON-COMBUSTIBLE FLOOR	0
COMBUSTIBLE FLOORING	0
BEHIND APPLIANCE	1
SIDES OF APPLIANCE	1

APPLIANCE LOCATION

	A	B	C	D	F	G
in.	53-1/32	48	75	see mantel leg projections to right	19-9/32	17-3/4
mm	1347	1218	1905		490	451

WALL PENETRATION

A	B
46-1/16"	46-1/16"

MANTLE LEG/WALL PROJECTIONS
(acceptable on both sides of appliance)

Combustible
2" Min, 6" Min, 3 ft Max

Non-Combustible
3" Min, 5-3/8" Min, Unlimited

MINIMUM FRAMING DIMENSIONS

	A	B	C	D
	Rough Opening (vent pipe)	Rough Opening (Height)	Rough Opening (Depth)	Rough Opening (Width)
in	8-5/8	42-1/4	18-1/4	50
mm	219	1073	464	1270

MANTEL PROJECTIONS

(or other materials above appliance)

1/2" Thick Wall Sheathing
12" MAX.
14" Measurement from top MIN. of fireplace opening

Clearances to COMBUSTIBLE mantel or other combustibles above appliance

1/2" Thick Wall Sheathing
12" MAX.
14" Measurement from MIN. top of fireplace opening

Clearances to NON-COMBUSTIBLE mantel or other non-combustibles above appliance

PRODUCT LISTING CODES	
US	ANSI Z21.88b-2008
CAN	CSA 2.33a-2008
US LISTED	UL307B

Product information provided is not complete and is subject to change without notice. Product installation must adhere strictly to instructions accompanying product to avoid risk of fire and potential injury.

Additional information can be found online at www.heatnglo.com