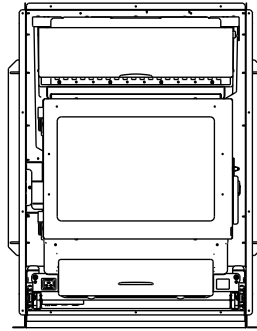




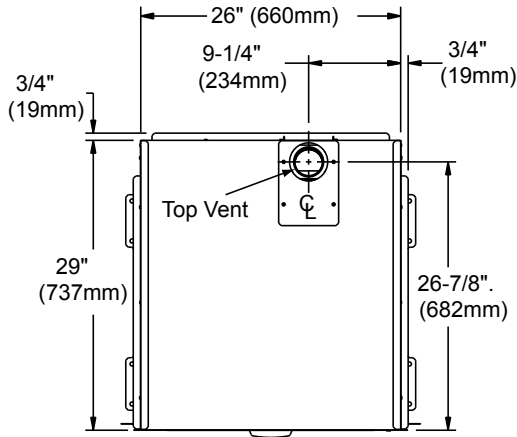
Please consult the manufacturer's installation manual for all details and requirements before making a final design layout decision.

**EDGE™ 60**  
Pellet/Bio-Fuel Fireplace

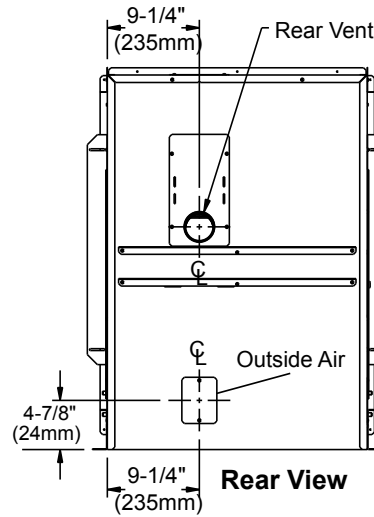
MODEL	FRONT WIDTH		BACK WIDTH		HEIGHT		DEPTH		VIEWING AREA
	Actual	Framing	Actual	Framing	Actual	Framing	Actual	Framing	
EDGE60	26	27-1/2	26	27-1/2	37-1/2	38-1/4	29	30	18-1/2" x 12-1/4"



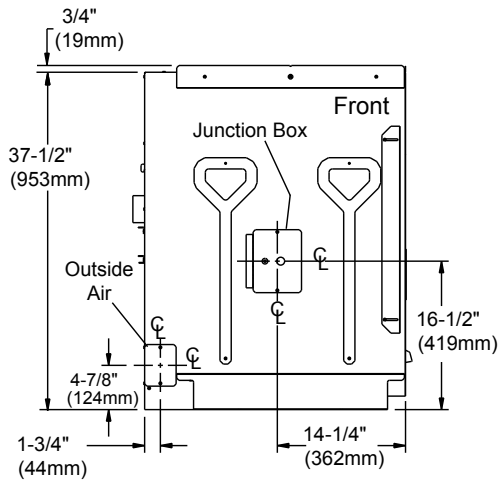
**Front View  
No Front  
Installed**



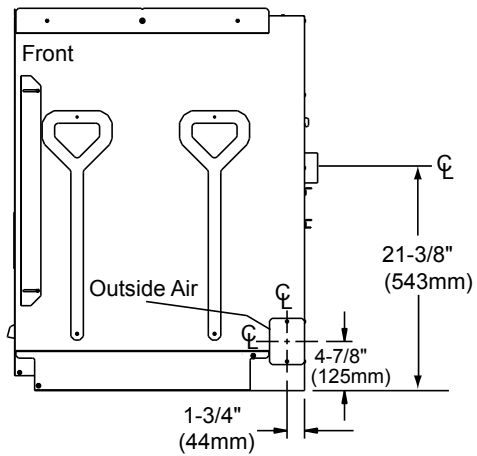
**Top View**



**Rear View**

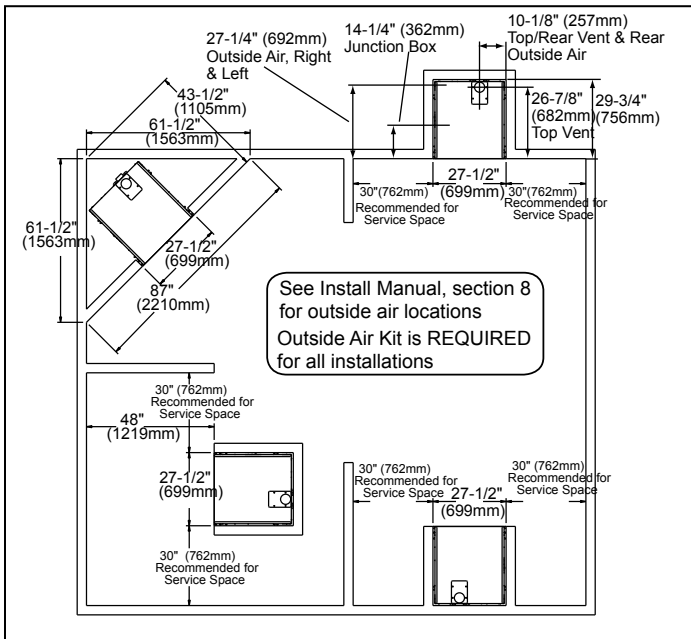


**Left Side View**

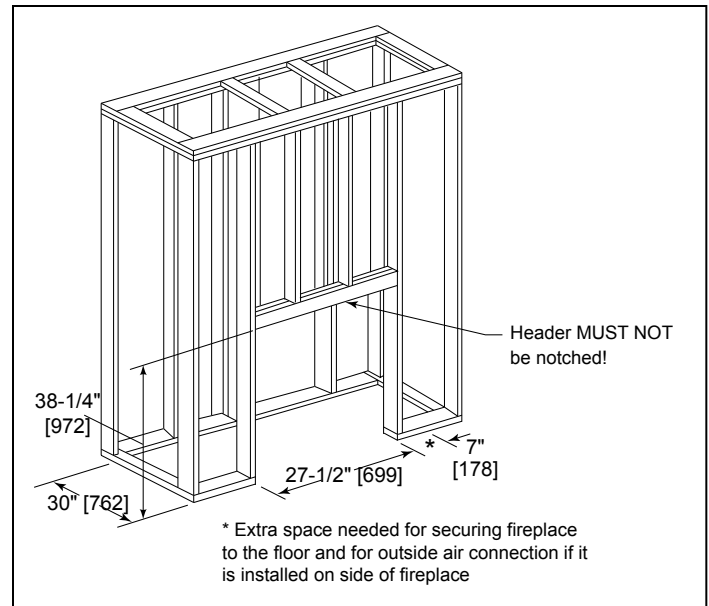


**Right Side View**

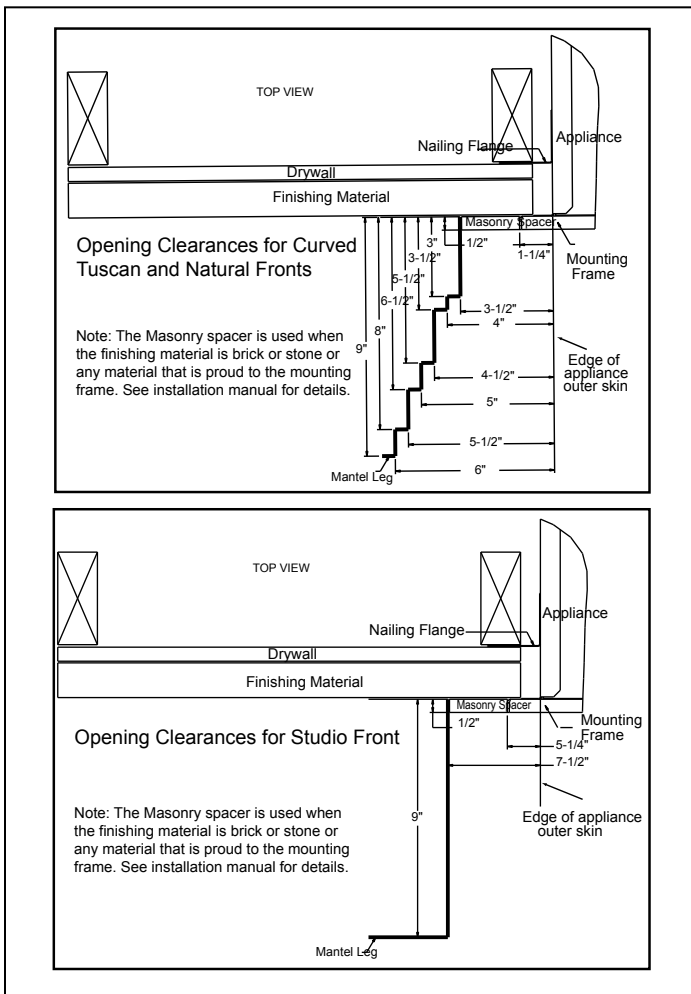
**APPLIANCE LOCATION**



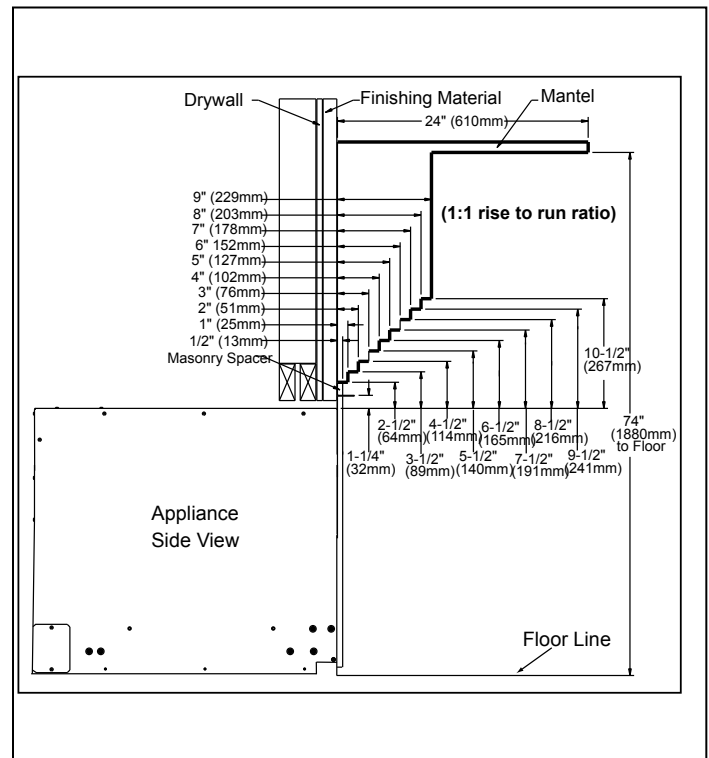
**FRAMING DIMENSIONS**



**MANTEL LEG/WALL PROJECTIONS**



**MANTEL CLEARANCES**



PRODUCT LISTING CODES	
Standard	ASTM E1509-4 (UM) 84-HUD
	ULC S627-00 ULC/ORD-C142

Product information provided is not complete and is subject to change without notice. Product installation must adhere strictly to instructions accompanying product to avoid risk of fire and potential injury.

Additional information can be found online at [www.quadrafire.com](http://www.quadrafire.com)