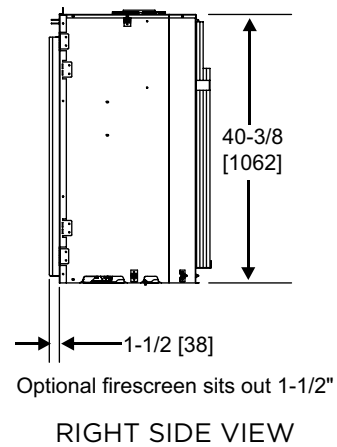
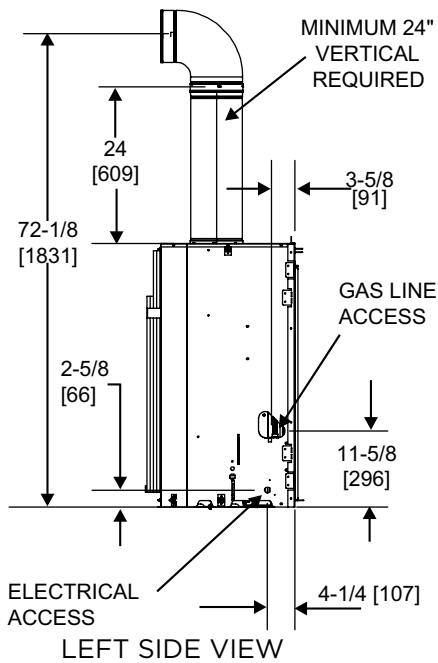
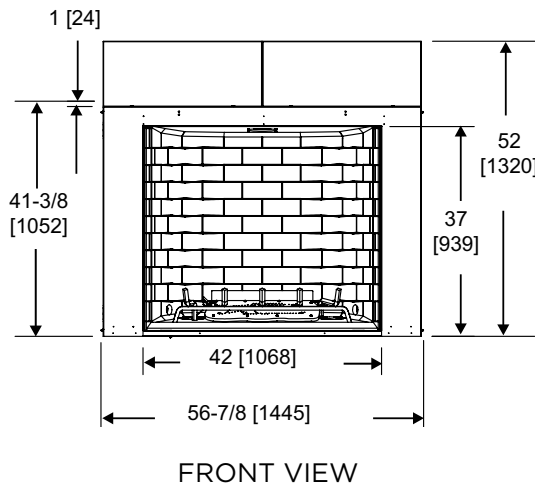
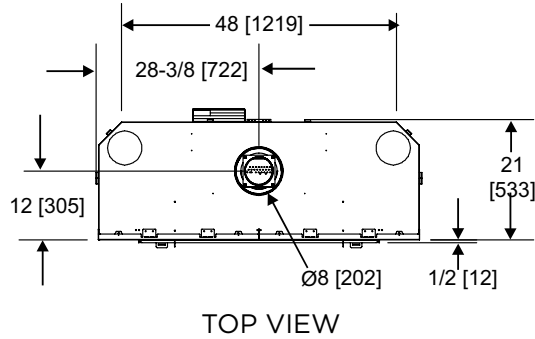




Please consult the manufacturer's installation manual for all details and requirements before making a final design layout decision.

Escape 42 Direct Vent Gas Fireplace

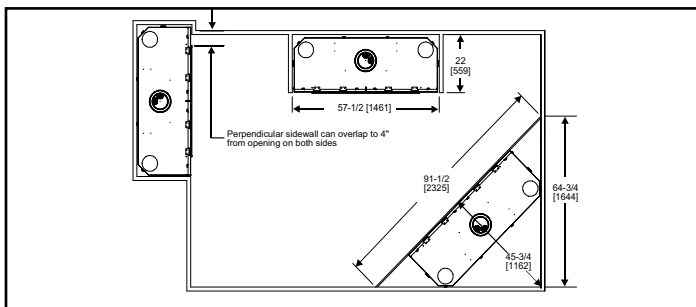
MODEL	FRONT WIDTH		BACK WIDTH		HEIGHT		DEPTH		VIEWING AREA
	Actual	Framing	Actual	Framing	Actual	Framing	Actual	Framing	
Escape-42DV	56-7/8	57-1/2	48	57-1/2	52	52-1/2	21	22	42 X 37



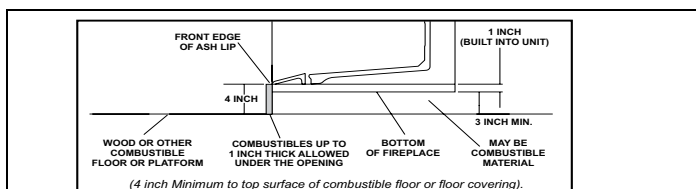
MINIMUM FIREPLACE CLEARANCES

AREA	TO COMBUSTIBLES (in inches)
CLEARANCE TO CEILING	43
NON-COMBUSTIBLE FLOOR	0
COMBUSTIBLE FLOORING	12
BEHIND APPLIANCE	1/2
SIDES OF APPLIANCE	1/2
FRONT OF APPLIANCE	36

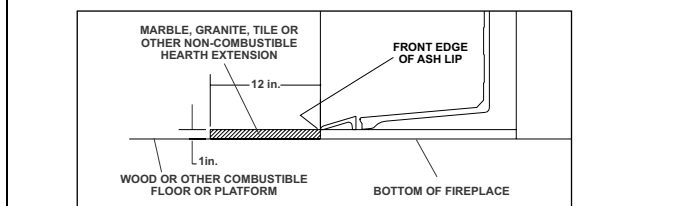
APPLIANCE LOCATION



HEARTH EXTENSION

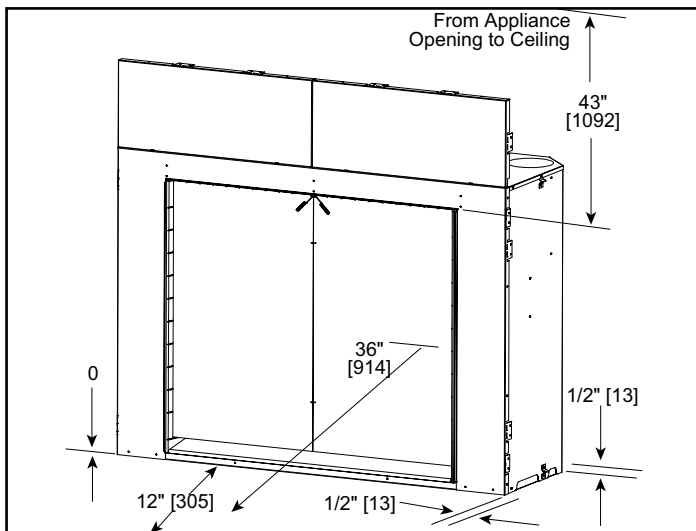


Fireplace raised a min of 3" away from combustible surface

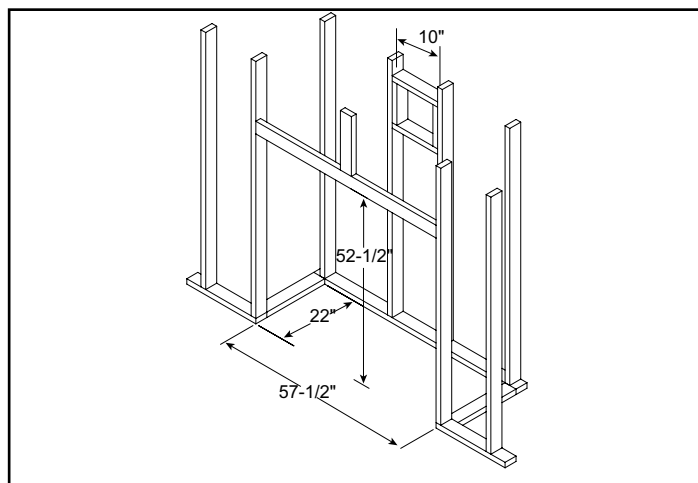


Fireplace sitting on combustibles surface

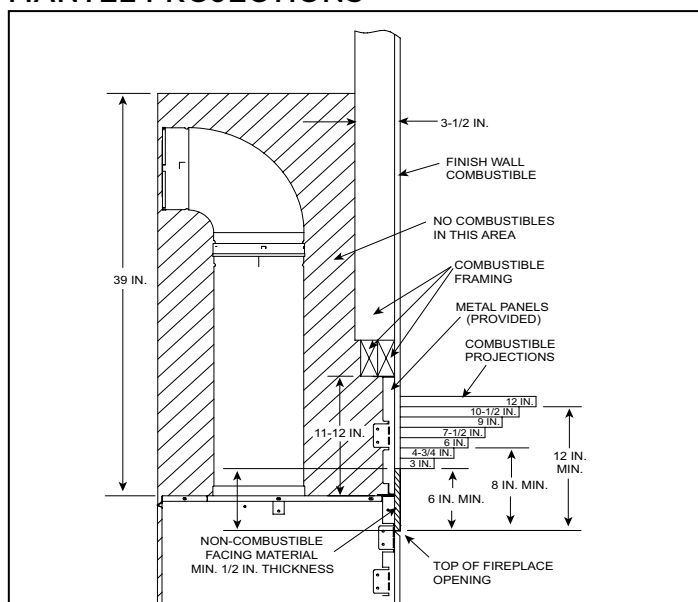
CLEARANCE TO COMBUSTIBLES



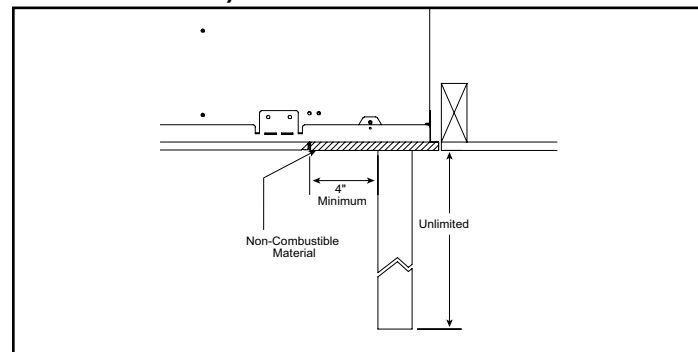
FRAMING DIMENSIONS



MANTEL PROJECTIONS



MANTEL LEGS/WALL PROJECTIONS



PRODUCT LISTING CODES	
US	ANSI Z21.88-2000
CAN	CSA 2.33-M98
	UL307B

Product information provided is not complete and is subject to change without notice. Product installation must adhere strictly to instructions accompanying product to avoid risk of fire and potential injury.

Additional information can be found online at www.heatnglo.com