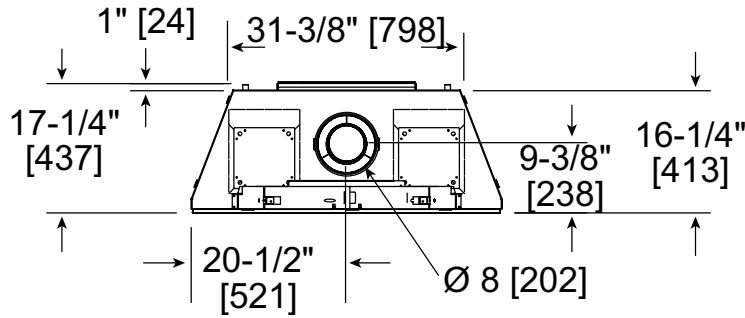




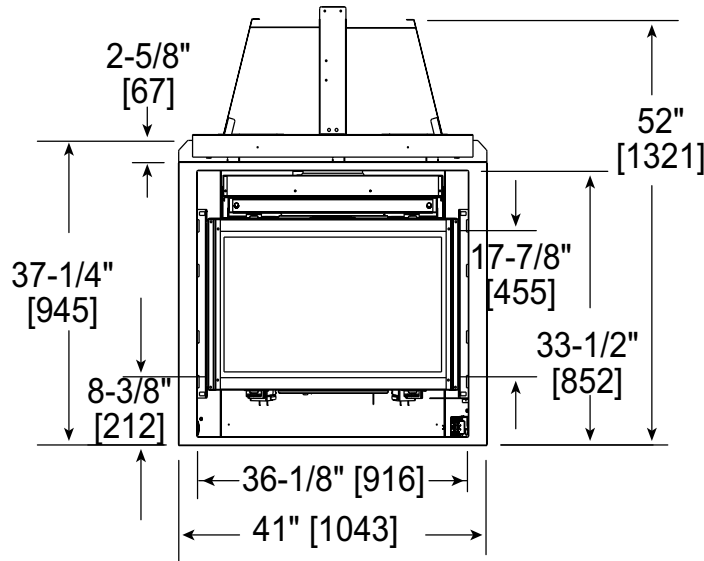
Please consult the manufacturer's installation manual for all details and requirements before making a final design layout decision.

Expression 36 Direct Vent Gas Fireplace

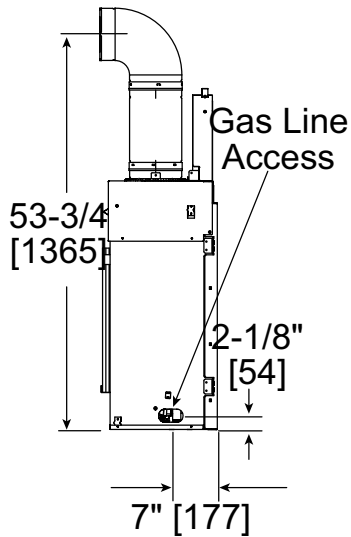
MODEL	FRONT WIDTH		REAR WIDTH		HEIGHT		DEPTH		VIEWING AREA
	Actual	Framing	Actual	Framing	Actual	Framing	Actual	Framing	
Expression 36 qv36a-fb	41	41-1/2	31-3/8	41-1/2	52	52-1/2	16-1/4	17-1/4	700 sq. in.



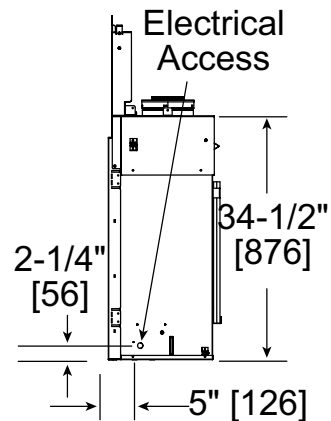
TOP VIEW



FRONT VIEW



LEFT SIDE VIEW

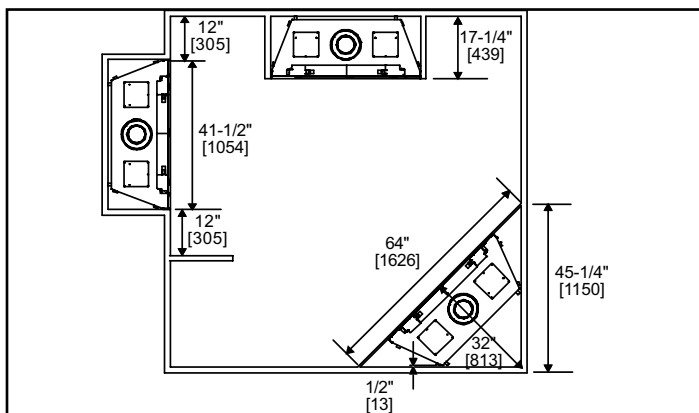


RIGHT SIDE VIEW

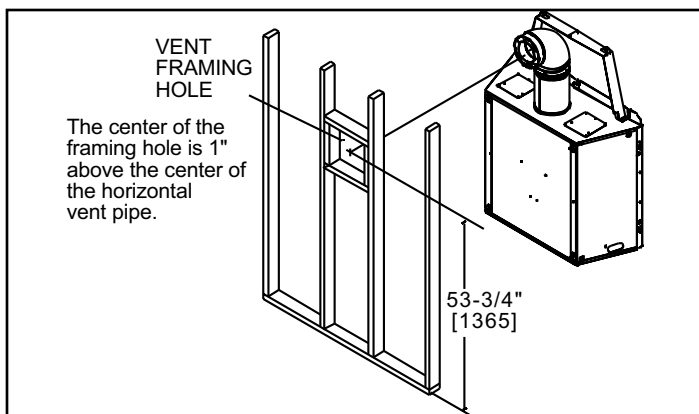
MINIMUM FIREPLACE CLEARANCES

AREA	TO COMBUSTIBLES (in inches)
CLEARANCE TO CEILING	32-1/2
NON-COMBUSTIBLE FLOOR	0
COMBUSTIBLE FLOORING	0
BEHIND APPLIANCE	1
SIDES OF APPLIANCE	1/2
FRONT OF APPLIANCE	36

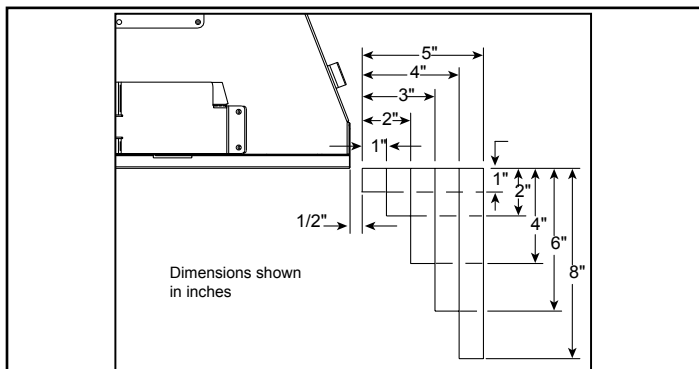
APPLIANCE LOCATION



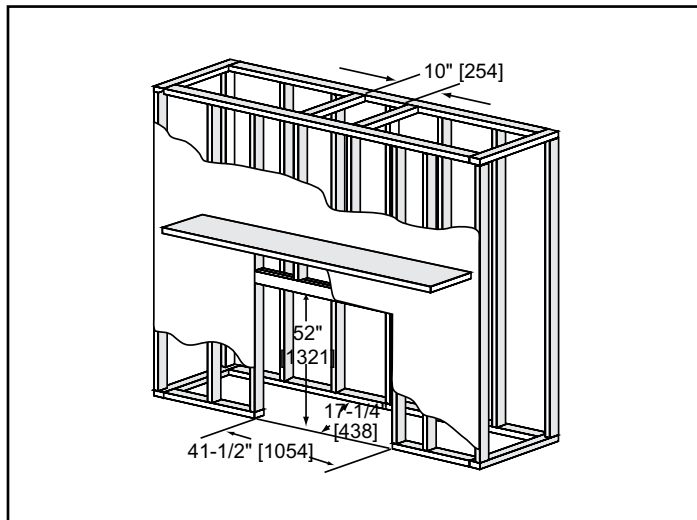
WALL PENETRATION



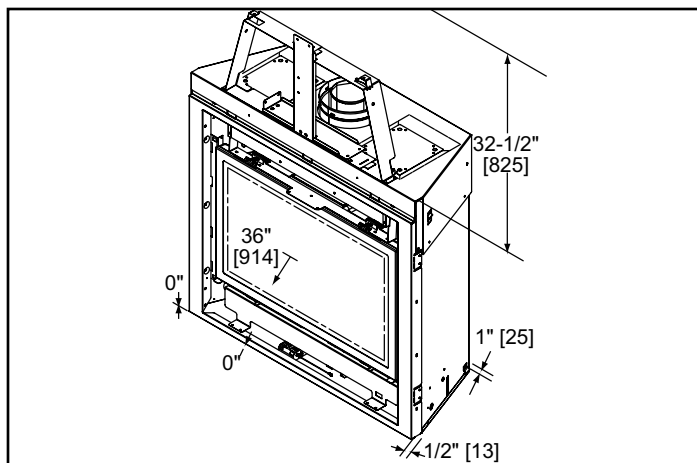
MANTEL LEG/WALL PROJECTIONS



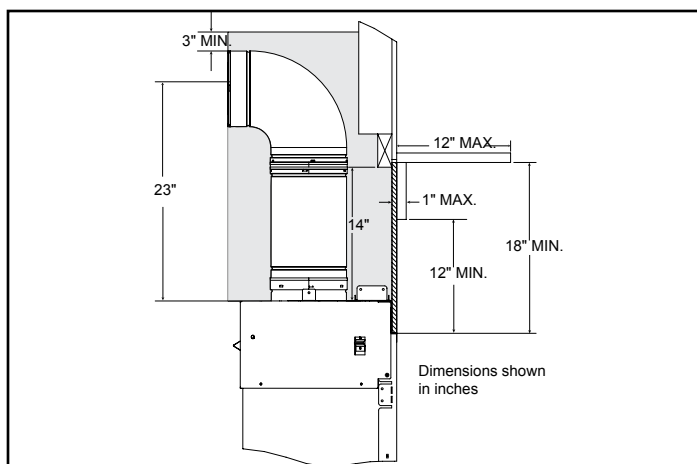
FRAMING DIMENSIONS



CLEARANCE TO COMBUSTIBLES



MANTEL PROJECTIONS



PRODUCT LISTING CODES	
Standard	ANSI Z21.88-2002 CSA2.33-M02
US LISTED	UL307B

Product information provided is not complete and is subject to change without notice. Product installation must adhere strictly to instructions accompanying product to avoid risk of fire and potential injury.

Additional information can be found online at www.quadrafire.com