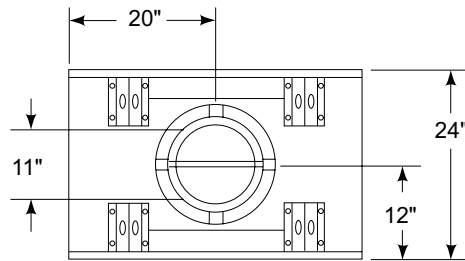




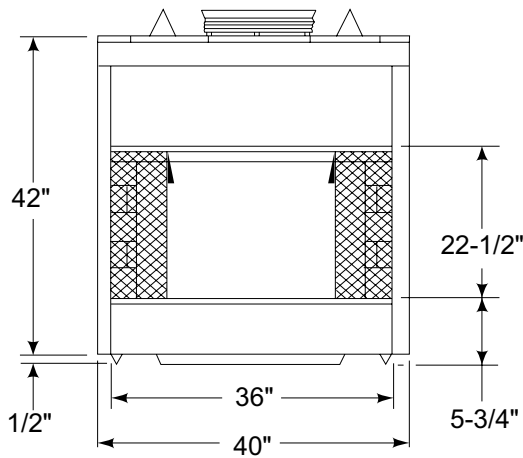
Please consult the manufacturer's installation manual for all details and requirements before making a final design layout decision.

# Pier 40 Wood Fireplace

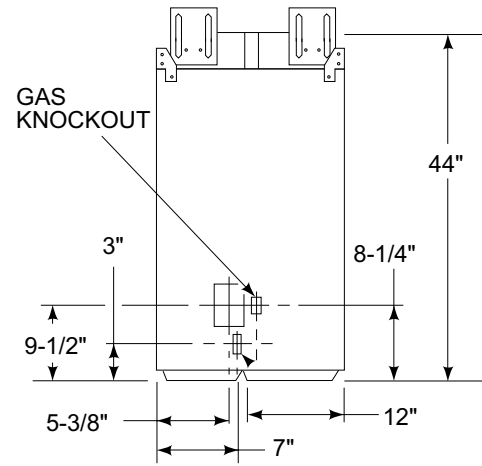
MODEL	FRONT WIDTH		BACK WIDTH		HEIGHT		DEPTH		VIEWING AREA
	Actual	Framing	Actual	Framing	Actual	Framing	Actual	Framing	
PIER-40	40	40	40	40	47-1/8	47-5/8	24	23	36 x 20-7/8



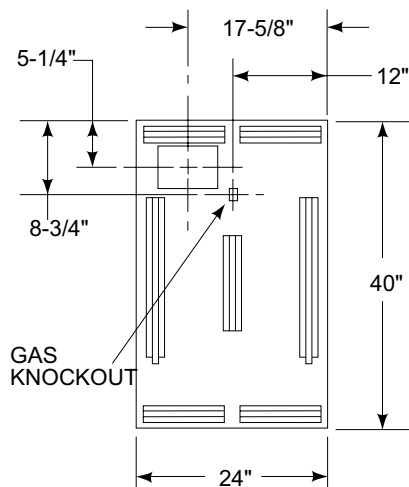
TOP VIEW



FRONT VIEW



END VIEW

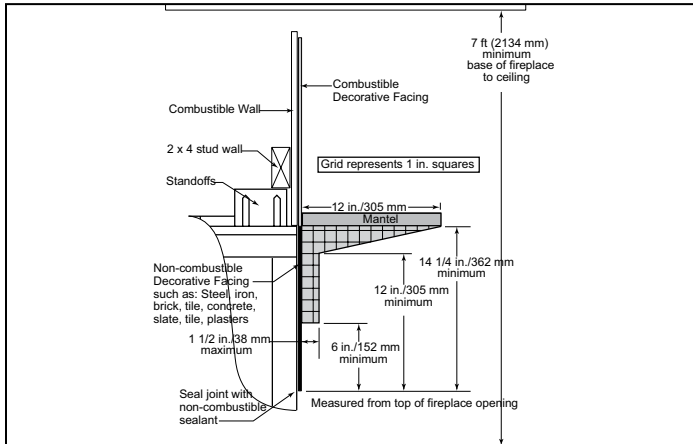


BOTTOM VIEW

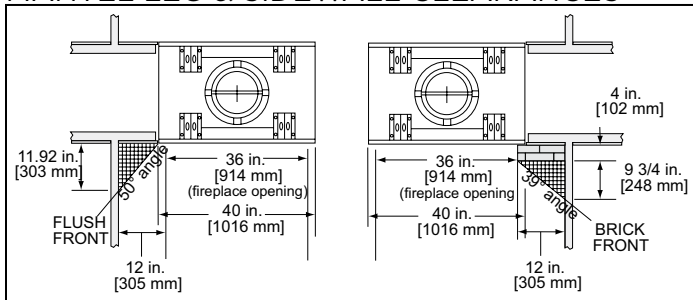
MINIMUM FIREPLACE CLEARANCES

AREA	TO COMBUSTIBLES (in inches)
BASE OF UNIT TO CEILING	84
COMBUSTIBLE/NON-COMBUSTIBLE FLOOR	0
BEHIND APPLIANCE	1/2
SIDES OF APPLIANCE	1/2
TOP OF UNIT	2
GLASS FRONT	48

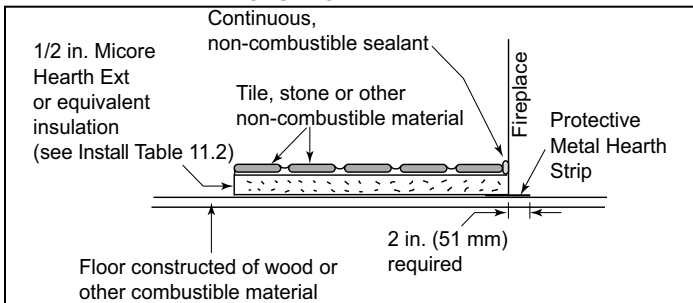
MANTEL PROJECTIONS



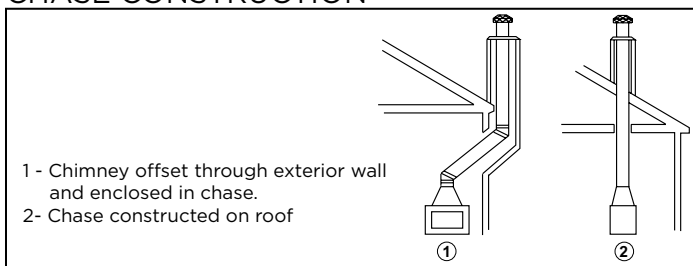
MANTEL LEG & SIDEWALL CLEARANCES



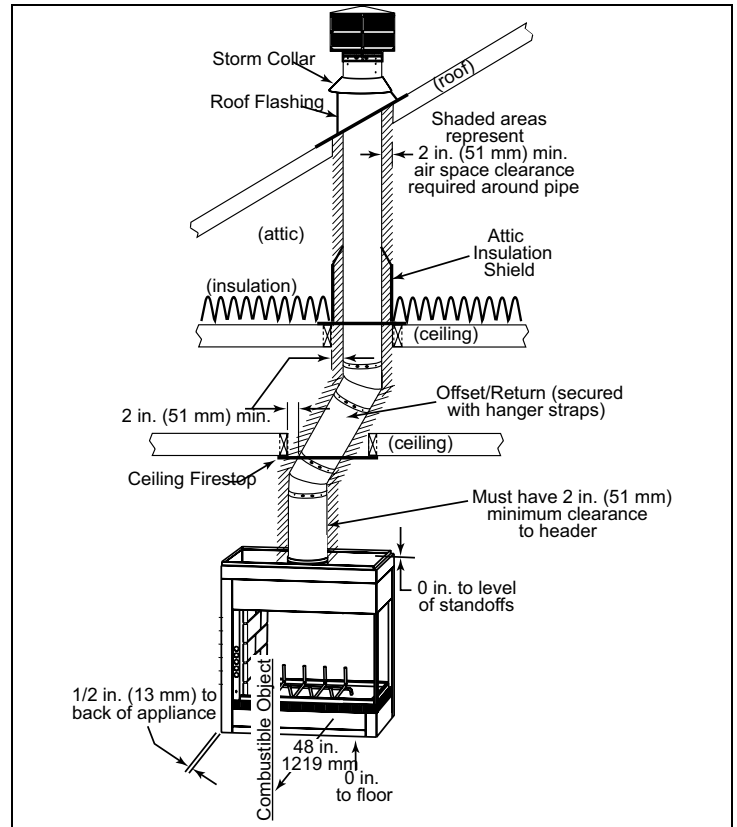
HEARTH EXTENSIONS



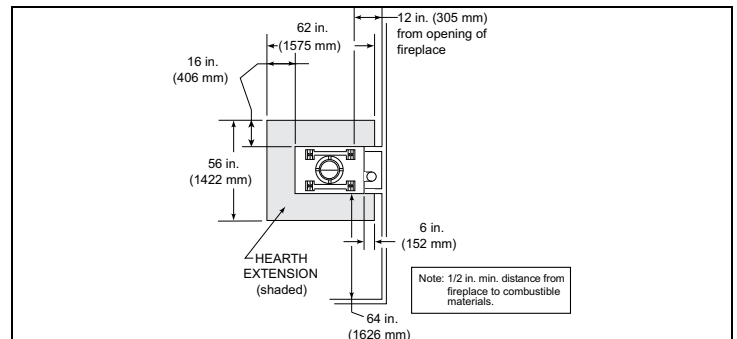
CHASE CONSTRUCTION



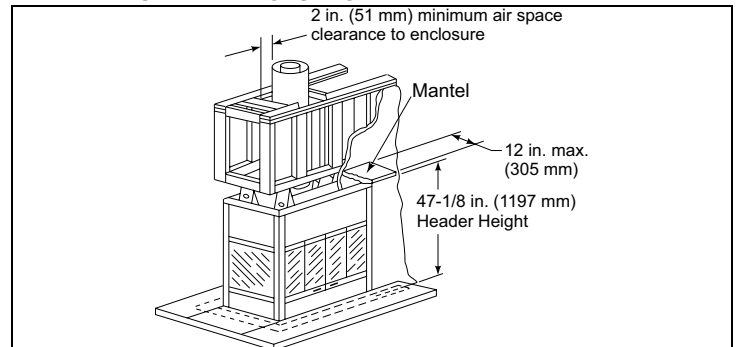
CLEARANCES TO COMBUSTIBLES



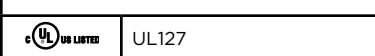
FIREPLACE LOCATION



FRAMING DIMENSIONS



PRODUCT LISTING CODES



Product information provided is not complete and is subject to change without notice. Product installation must adhere strictly to instructions accompanying product to avoid risk of fire and potential injury.

Additional information can be found online at [www.heatnglo.com](http://www.heatnglo.com)