

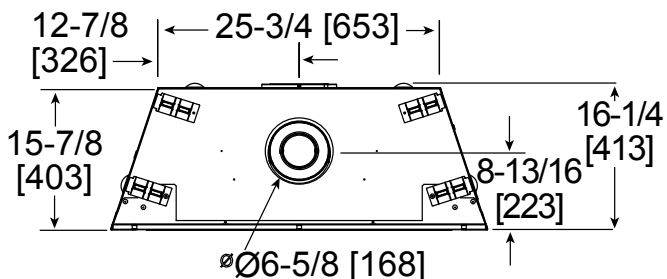


No one builds a better fire

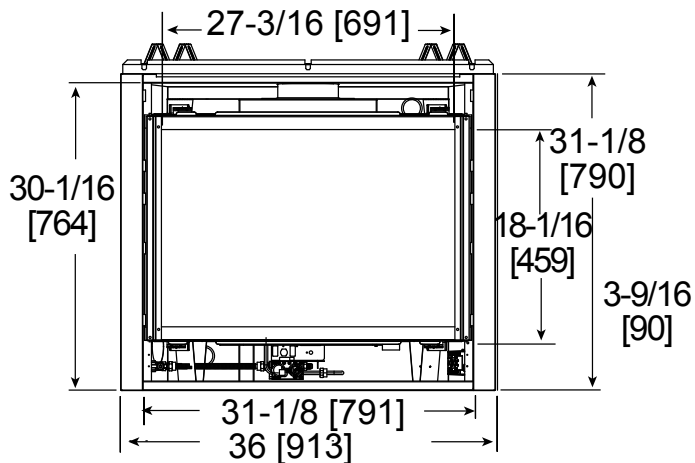
Please consult the manufacturer's installation manual for all details and requirements before making a final design layout decision.

SL-550TRS  
Direct Vent Gas Fireplace

MODEL	FRONT WIDTH		BACK WIDTH		HEIGHT		DEPTH		VIEWING AREA
	Actual	Framing	Actual	Framing	Actual	Framing	Actual	Framing	
SL-550TRS-E	36	37	25-3/4	37	34-3/8	34-3/4	16-1/4	16-1/4	30-1/2 x 21

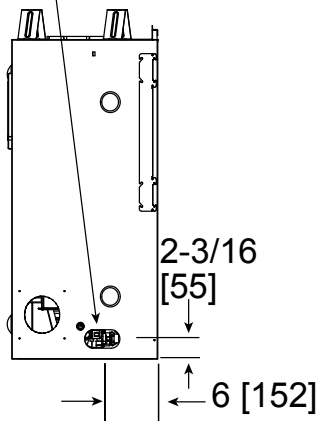


Top View

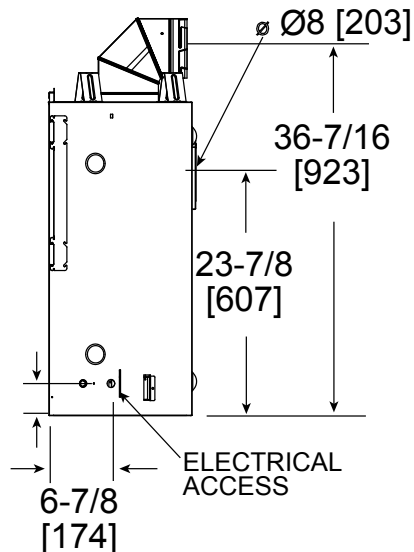


Front View

GAS LINE ACCESS



Left View



Right View

**MINIMUM FIREPLACE CLEARANCES**

AREA	TO COMBUSTIBLES (in inches)
CLEARANCE TO CEILING	32
COMBUSTIBLE/NON-COMBUSTIBLE FLOOR	0
BEHIND APPLIANCE	1/2
SIDES OF APPLIANCE	1/2
FRONT OF APPLIANCE	36

**APPLIANCE LOCATION**

Model		A	B	C	E	F	G
SL-550TRS-IPI	in	42	37	59-1/2	1	1/2	44
	mm	1067	940	1511	25	13	1117
		H	I	J	K	L	M
SL-550TRS-IPI	in	62-1/4	16-1/4	48-1/2	68-3/4	15-1/16	7-1/2
	mm	1581	413	1232	1737	383	191

**FRAMING DIMENSIONS**

	A Rough Opening (Width)		B Rough Opening (Height)	C Rough Opening (Depth)		D Rough Opening (Width)
	DVP pipe	SLP pipe		DVP pipe	SLP pipe	
in.	10	8-5/8	34-3/4	16-1/4	16-1/4	37
mm	254	219	882	413	413	940

**CLEARANCES TO COMBUSTIBLES**

**WALL PENETRATION**

**MANTEL PROJECTIONS**

**MANTEL LEG/WALL PROJECTIONS**

**Mantel Leg Projection**  
(acceptable on both sides of opening)

**Wall Projection**  
(acceptable on one side of opening)

PRODUCT LISTING CODES	
US	ANSI Z21.88a-2007
CAN	CSA 2.33a-M2007
	UL307B

Product information provided is not complete and is subject to change without notice. Product installation must adhere strictly to instructions accompanying product to avoid risk of fire and potential injury.

Additional information can be found online at [www.heatnglo.com](http://www.heatnglo.com)