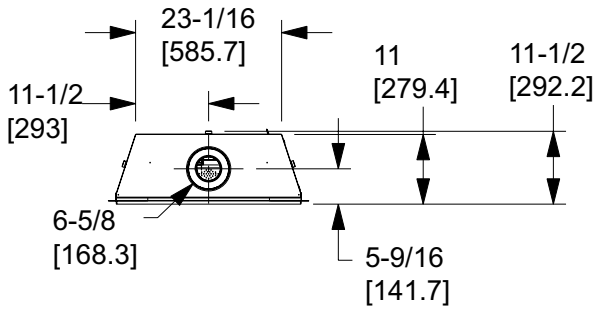




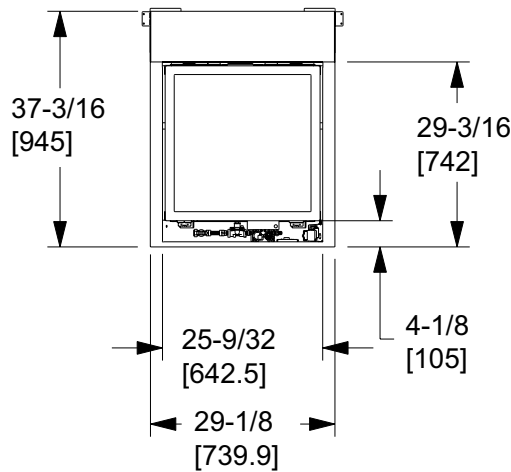
Please consult the manufacturer's installation manual for all details and requirements before making a final design layout decision.

Soho
Direct Vent Gas Fireplace

MODEL	FRONT WIDTH		BACK WIDTH		HEIGHT		DEPTH		VIEWING AREA
	Actual	Framing	Actual	Framing	Actual	Framing	Actual	Framing	
Soho	29-1/8	30-1/8	23-1/16	30-1/8	37-3/16	44	11	11-1/2	17-1/2 x 19-3/8

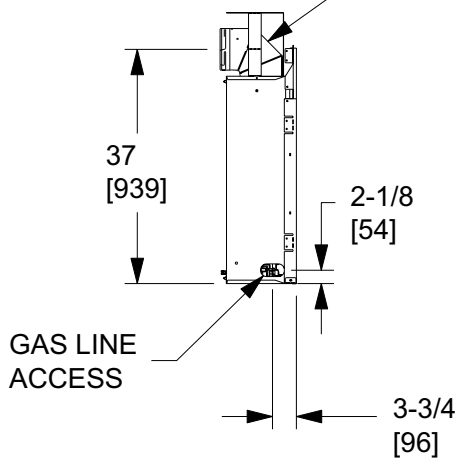


Top View

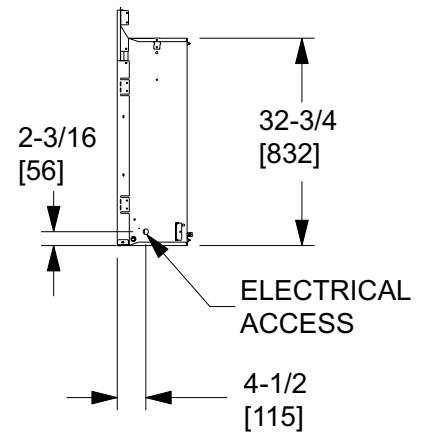


Front View

When venting with a 90° elbow a heat shield must be used.



Left View



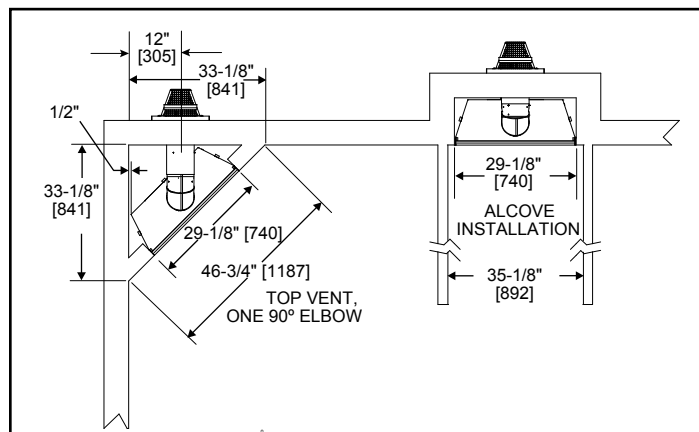
Right View

*A decorative front is required for all installations

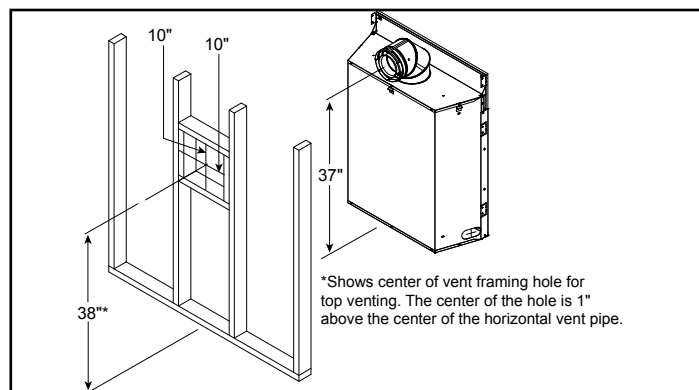
MINIMUM FIREPLACE CLEARANCES

AREA	TO COMBUSTIBLES (in inches)
CLEARANCE TO CEILING	38
NON-COMBUSTIBLE FLOOR	0
COMBUSTIBLE FLOORING	0
BEHIND APPLIANCE	1/2
SIDES OF APPLIANCE	1/2
FRONT OF APPLIANCE	36

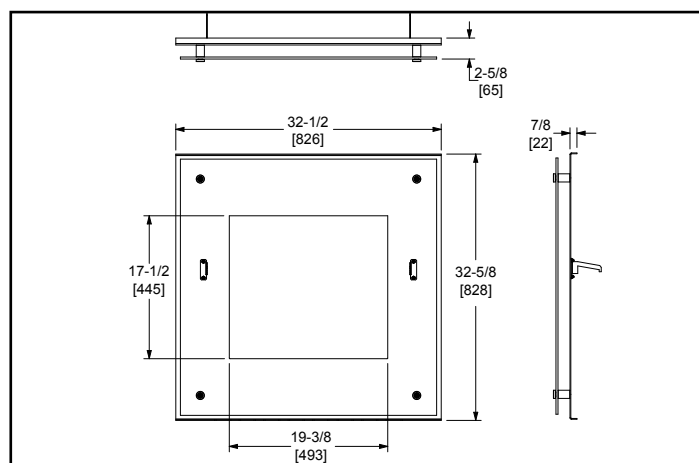
APPLIANCE LOCATION



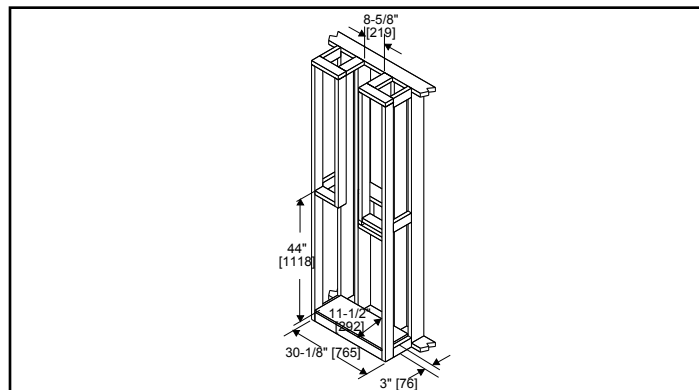
WALL PENETRATION



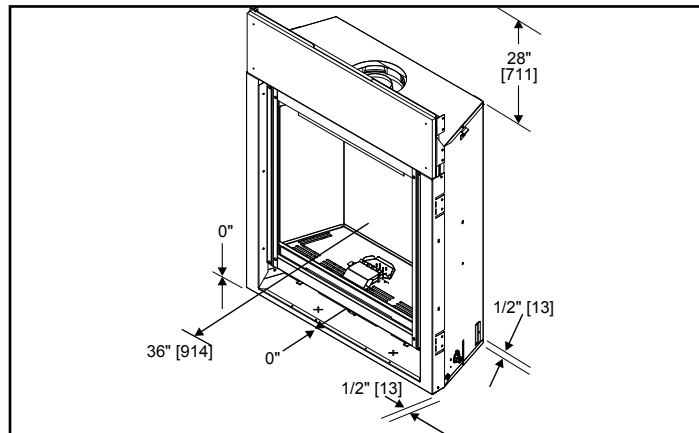
STUDIO FRONT DIMENSIONS



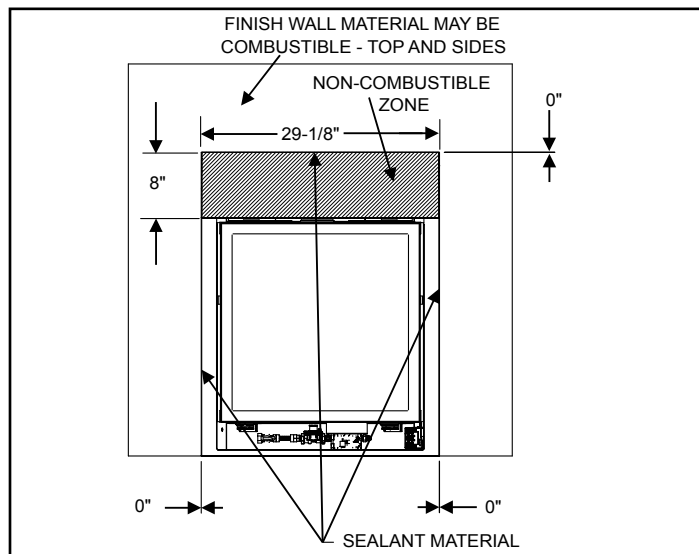
FRAMING DIMENSIONS



CLEARANCES TO COMBUSTIBLES



SEALANT MATERIAL SPECIFICS



PRODUCT LISTING CODES	
US	ANSI Z21.88a-2007
CAN	CSA 2.33a-M2007
US LISTED	UL307B

Product information provided is not complete and is subject to change without notice. Product installation must adhere strictly to instructions accompanying product to avoid risk of fire and potential injury.

Additional information can be found online at www.heatnglo.com