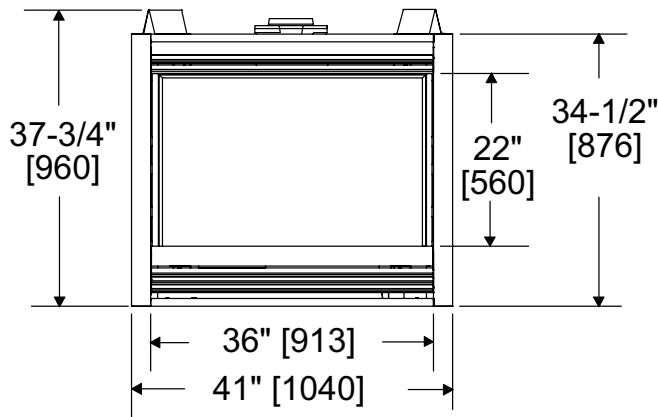
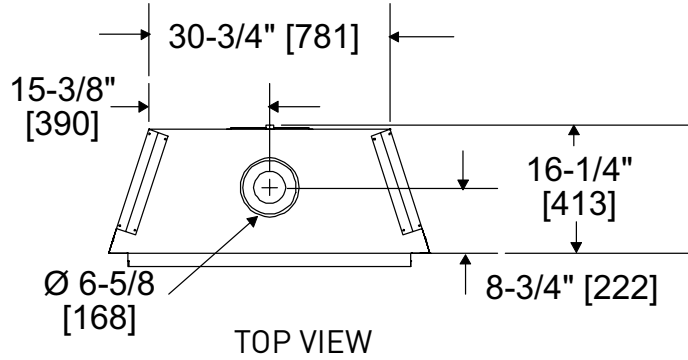




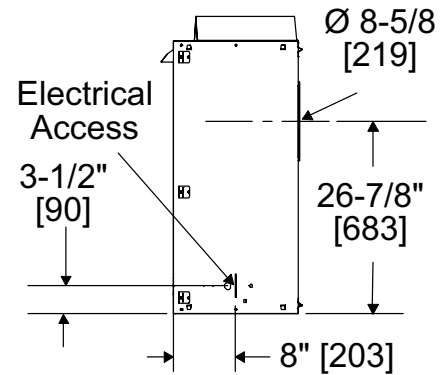
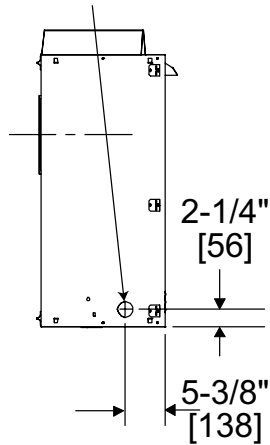
Please consult the manufacturer's installation manual for all details and requirements before making a final design layout decision.

qv36a  
Direct Vent Gas Fireplace

MODEL	FRONT WIDTH		REAR WIDTH		HEIGHT		DEPTH		VIEWING AREA
	Actual	Framing	Actual	Framing	Actual	Framing	Actual	Framing	
QV36A	41	42	30-3/4	42	37-3/4	38-1/4	16-1/4	16-1/4	750 sq. in.



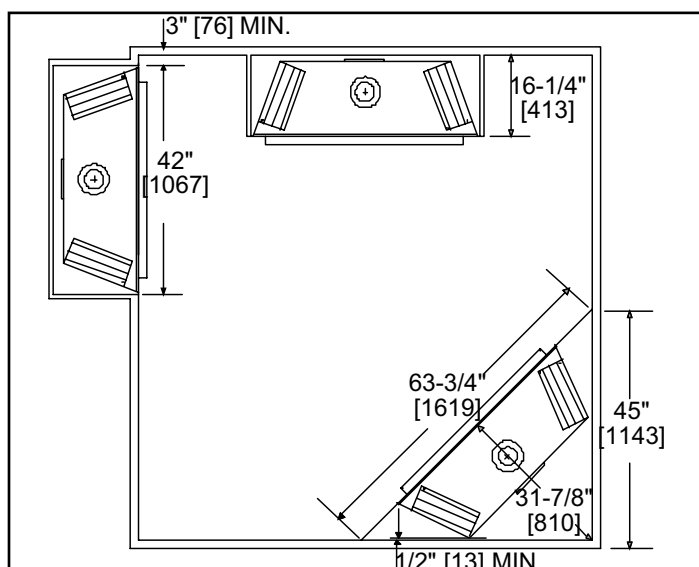
Gas Line Access



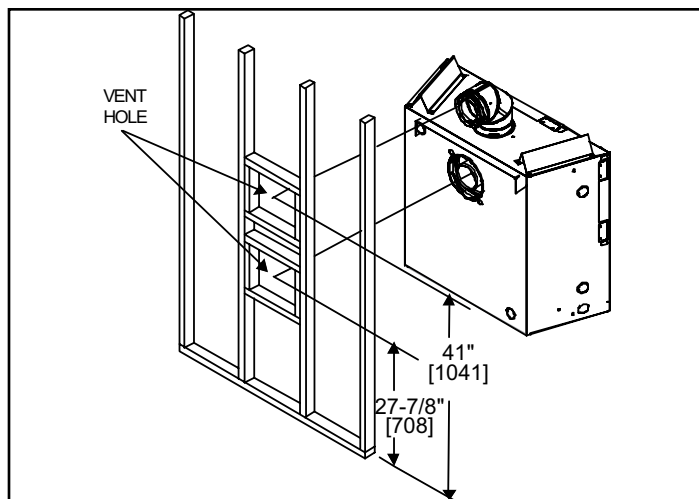
MINIMUM FIREPLACE CLEARANCES

AREA	TO COMBUSTIBLES (in inches)
CLEARANCE TO CEILING	31
TOP OF APPLIANCE	3-1/4
NON-COMBUSTIBLE FLOOR	0
COMBUSTIBLE FLOORING	0
SIDES OF APPLIANCE	1/2
REAR OF APPLIANCE	1/2
FRONT OF APPLIANCE	36

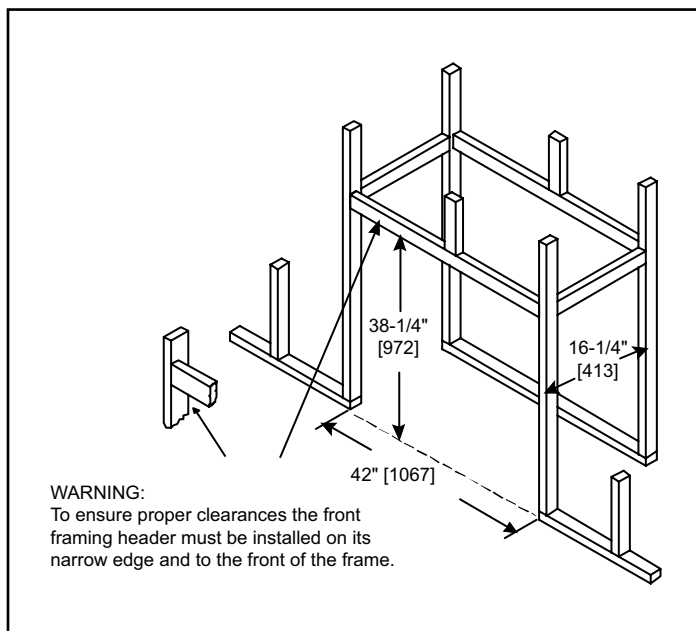
APPLIANCE LOCATION



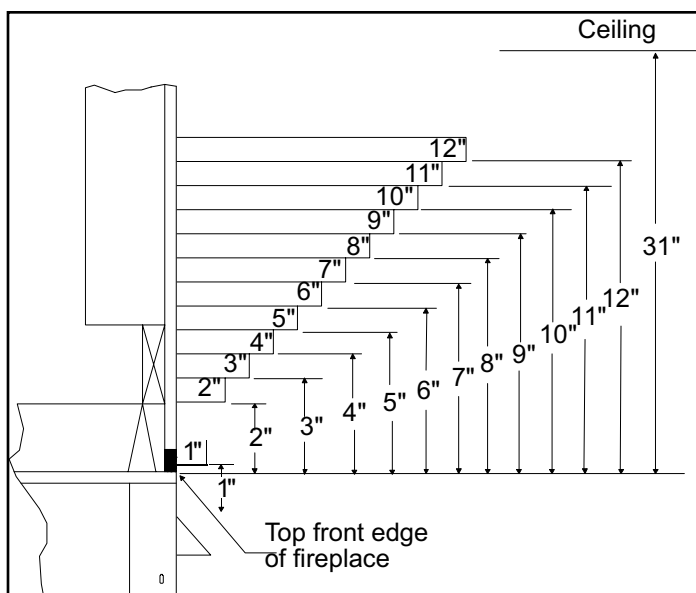
WALL PENETRATION



FRAMING DIMENSIONS



MANTEL PROJECTIONS



PRODUCT LISTING CODES	
Standard	ANSI Z21.88 CSA 2.33
	UL307B

Product information provided is not complete and is subject to change without notice. Product installation must adhere strictly to instructions accompanying product to avoid risk of fire and potential injury.

Additional information can be found online at [www.quadrafire.com](http://www.quadrafire.com)