



heatilator[®]
The first name in fireplaces

Novus nXt
direct vent gas fireplaces

Novus nXt

direct vent gas fireplaces

Cover: Novus nXt shown with Sedona cast mantel and Demi Operable front

Left: Novus nXt shown with Sedona cast mantel and Tres Operable front



The Perfect Addition to Any Room

The new Novus NXT is the perfect blend of a value-priced, AFUE-rated fireplace with key product features homeowners desire. With a 69% AFUE-rating, 5-step flame height adjustment, our new IntelliFire Plus™ ignition system, ceramic glass for improved radiant heat, standard refractory, standard Simon front, and standard RC200 wireless control ...we've got the bases covered!

- New sleek, clean lines create a streamlined fireplace appearance
- Choose from two sizes, 33" and 36", offering wide viewing widths with a 19-1/8" depth firebox on both models
- Realistic 7-piece ceramic fiber log set
- Bold flame height with a generous ember bed
- Numerous options to choose from, including three fronts, herringbone refractory, fan and our new multi-function RC300 wireless control
- Certified for installation in bedrooms; direct vent models also certified for mobile homes



The IntelliFire Plus Ignition System is an "intelligent" control system providing energy conservation and the comfort of a roaring fire ...all at your fingertips! IntelliFire Plus features intermittent pilot ignition (IPI) allowing you to conserve fuel and money when the fireplace is not in use. Optional constant pilot mode allows you to leave the pilot flame on in cold climates. In addition, the system offers seamless transition from AC to battery backup in a power outage, as well as built-in safety features and memory settings. Lastly, our new family of IntelliFire Plus wireless controls provides stylish and ergonomic controls with the features and benefits homeowners desire.

Standard Features

Front



Simon Front

Refractory



Traditional Refractory

IntelliFire Plus Wireless Control

IntelliFire Plus RC200 is specifically designed for use with our new IntelliFire Plus ignition system. It is easy-to-use, stylish and ergonomic in design. And, since it is a wireless control, it has the flexibility for wall placement anywhere in the room, or use as a remote only.

Features: Auto Battery Backup, Battery Strength Indicator, Pilot Activation, On/Off, 5 Step Flame Height, Fan Speed, Child Lock



Left: RC-200 wireless remote control
Above: RC-200 in wall docking station.

Upgrade Options

Fronts & Doors



Demi Operable Front



Demi Non-Operable Front

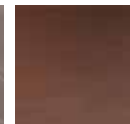


Tres Operable Front

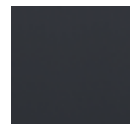
Finish options shown here available for the Demi and Tres fronts.



Pewter



Bronze



Black

Refractory



Herringbone

IntelliFire Plus Wireless Control

IntelliFire Plus RC300 is specifically designed for use with our new IntelliFire Plus ignition system. It is easy-to-use, stylish and ergonomic in design. Features an LCD screen, intuitive menus and large buttons. Since it is a wireless control, it has the flexibility for wall placement anywhere in the room, or use as a remote only.

Model: RC300-HTL

Features: Auto Battery Backup, Pilot Activation, On/Off, 5 Step Flame Height, Fan Speed (auxiliary 1), two additional Auxiliary Functions, Room Temperature Readout, Thermostat Mode, Timer Mode, Child Lock



Left: RC-300 wireless remote control
Above: RC-300 in wall docking station.

Additional Options Not Pictured

- Fan Kit
- Gas Conversion Kits
- Mantels and Surrounds

Venting

- Direct Vent: DVP pipe
- Direct Vent: SLP Pipe

Models Available

MODEL	BTU/HR INPUT(NG)	OPENING SIZE
NNXT3933I	16,000 - 29,000	33" (838mm)
NNXT4236I	18,500 - 31,000	36" (914mm)

U.S. Efficiencies

Steady State - Since most homeowners use their fireplaces for an extended time while they are in the room, Steady State measures how efficiently your fireplace converts fuel to heat once it is warmed up and running in a "steady state".

AFUE - AFUE rating is more typically used with appliances, like your furnace, that continually cycle on and off to maintain a constant temperature.

Rating	NNXT3933I	NNXT4236I
Steady State	82%	81%
AFUE	70%	69%

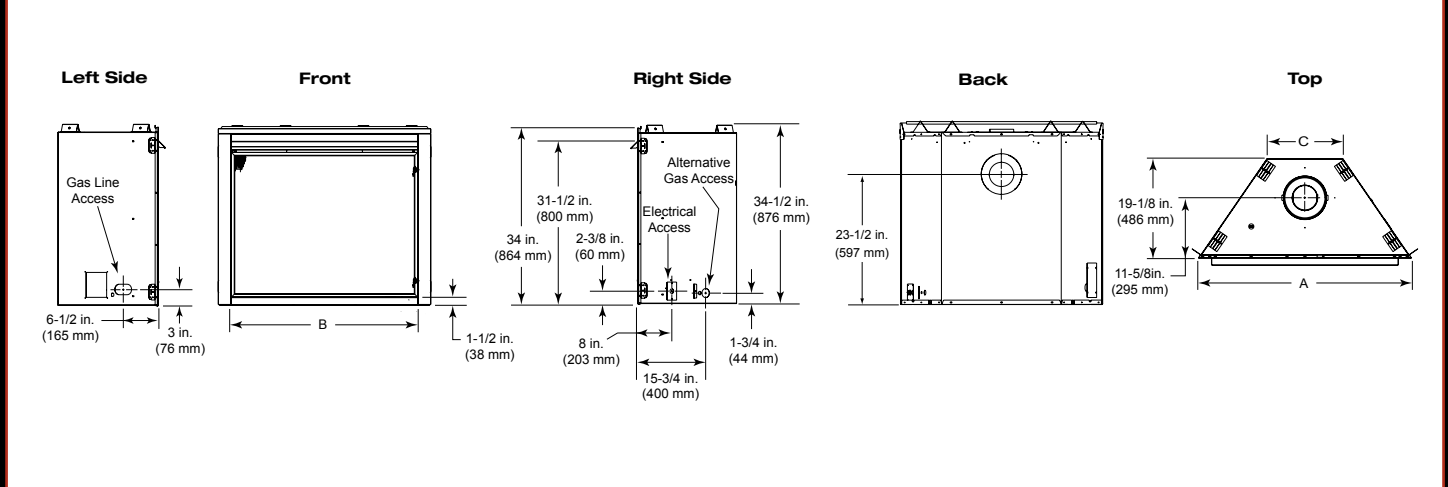
Canada Efficiencies

EnerGuide (CSA P.4.1-02) - EnerGuide is a rating used in Canada to measure annual fireplace efficiency.

Rating	NNXT3933I	NNXT4236I
EnerGuide (CSA P.4.1-02)	72%	72%

Technical Specifications

MODEL	FRONT WIDTH (A)	BACK WIDTH (C)	HEIGHT	DEPTH	GLASS SIZE (B)
NNXT3933I	38" (965mm)	11-5/8" (295mm)	34" (864mm)	19-1/8" (486mm)	33"w x 22-5/8"h
NNXT4236I	41" (1041mm)	14-5/8" (371mm)	34" (864mm)	19-1/8" (486mm)	36"w x 22-5/8"h

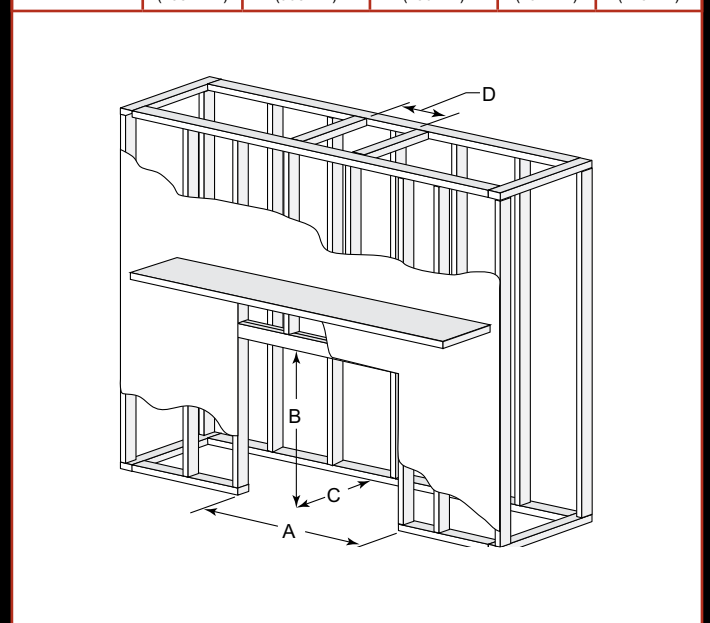
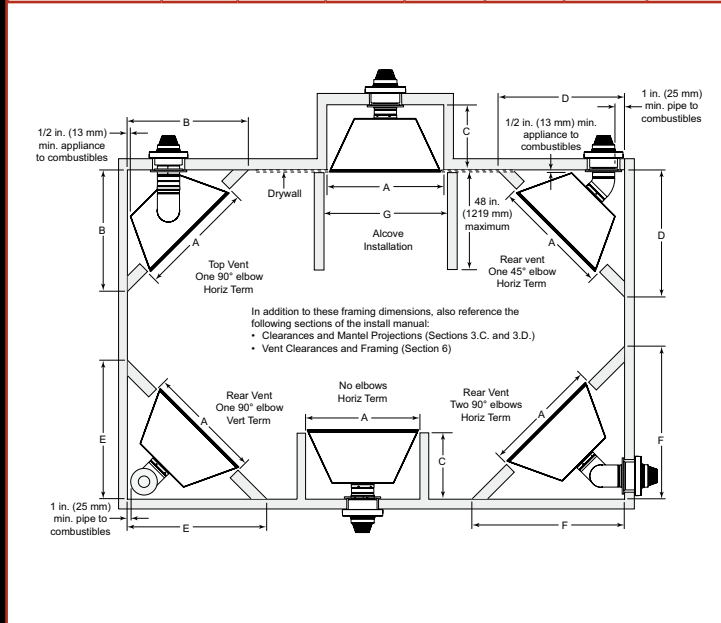


Clearances

MODEL	A	B	C	D	E	F	G
NNXT3933I	39" (991mm)	35-1/2" (902mm)	19-5/8" (498mm)	43-3/8" (1102mm)	47" (1194mm)	53-1/4" (1353mm)	40" (1016mm)
NNXT4236I	42" (1067mm)	37-5/8" (956mm)	19-5/8" (498mm)	43-3/8" (1102mm)	47" (1194mm)	53-1/4" (1353mm)	43" (1092mm)

Framing

MODEL	A ROUGH OPENING (WIDTH)	B ROUGH OPENING (HEIGHT)	C ROUGH OPENING (DEPTH)	D ROUGH OPENING (DVP PIPE)	D ROUGH OPENING (SLP PIPE)
NNXT3933I	39" (991mm)	34-7/8" (886mm)	19-5/8" (498mm)	10" (254mm)	9" (229mm)
NNXT4236I	42" (1067mm)	34-7/8" (886mm)	19-5/8" (498mm)	10" (254mm)	9" (229mm)



The rough framing dimensions shown represent the distance from stud to stud only and do not take into consideration the addition of drywall. Please refer to installation instructions for complete specifications and drawings when installing this product. Go to heatilator.com to download.

Available From

heatilator
The first name in fireplaces

a brand of
Hearth & Home Technologies Inc.®

1915 West Saunders Street
Mt. Pleasant, Iowa 52641
800-927-6841 | heatilator.com

[facebook.com/Heatilator](https://www.facebook.com/Heatilator)
twitter.com/Heatilator
[youtube.com/HeatilatorFireplaces](https://www.youtube.com/HeatilatorFireplaces)

HTL-1067U-0811

Limited Lifetime Warranty*

The strongest in the industry, Heatilator provides a limited lifetime warranty on gas-burning products of the most important aspects: firebox and heat exchanger.

The information provided in this literature is for planning purposes only and subject to change. Please consult the installation manual for actual installation. Actual product appearance may differ from product images. *For full warranty details go to heatilator.com.

Canadit

ENERGUIDE

Look for the **EnerGuide** Gas Fireplace Energy Efficiency Rating in this brochure

Based on CSA P.4.1-02

