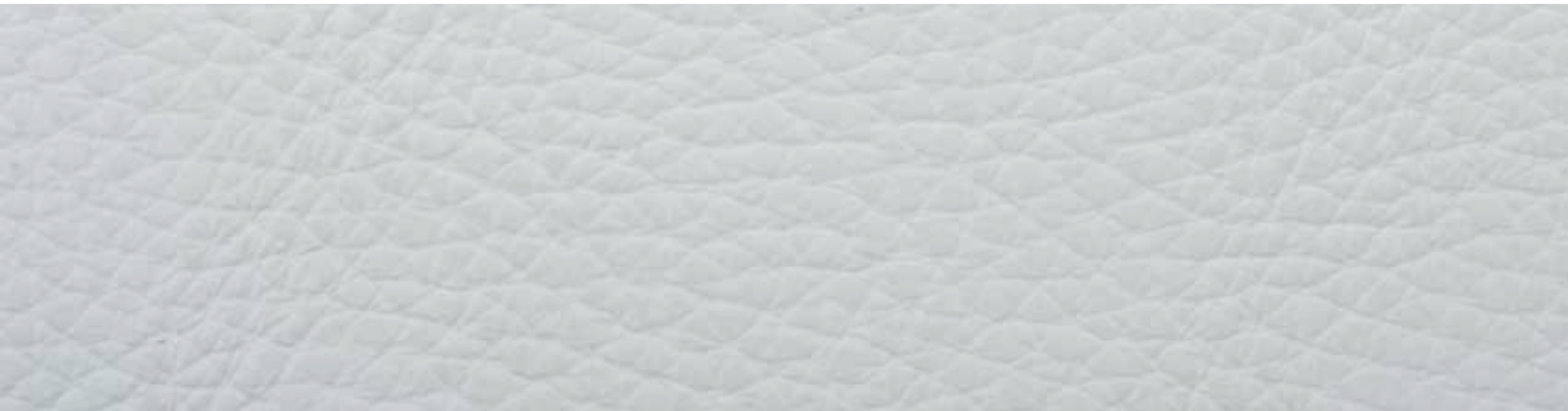




HEAT & GLO
No one builds a better fire



RED Series
Linear Direct Vent
Gas Fireplaces





Form & function

Top: RED60 shown with LED lights, Cobalt Blue media, Absolute Black Granite Refractory, and Absolute Black Granite surround

Right: RED40-ST shown with Black Onyx media, Porcelain-ized Steel Refractory, and Absolute Black Granite surround

Cover: RED40 shown with LED lights, Scarlet media, and Absolute Black Granite refractory and surround





Rectangular European Design

Modern design is about innovative, non-traditional shapes and materials that create an atmosphere of style and sophistication. RED, our acronym for Rectangular European Design, has set the standard for custom linear gas fireplaces. With a variety of stone and glass media options, enhanced accent lighting, and porcelain or granite refractory liners, the RED 40, RED 40 See-Through, and RED 60 offer more options, a cleaner design, and our brand promise—No one builds a better fire.

IntelliFire™

Our exclusive, state-of-the-art, IntelliFire ignition system conserves fuel and saves money by providing a pilot flame only when needed.

be inspired

We started with the best in mind, then made it even better.



RED Series

Setting the standard for custom linear gas fireplaces, the RED Series takes modern design to a new level. A variety of stone and glass media options, enhanced LED illumination, and stunning optional porcelain or granite refractory liners define this innovative series. Featuring 40 inch, 40 inch see-through, and 60 inch models, the RED Series offers 21 unique configurations with more options and styling than any modern fireplace on the market.

Bottom Left: RED60 shown with Absolute Black granite refractory and base, and standard mesh front.

Top Right: RED40 shown with Crystal glass media, Porcelain-ized Steel Refractory, and Absolute Black Granite surround.

Bottom Right: RED40-ST shown with Black Onyx media, Porcelain-ized Steel Refractory, and Absolute Black Granite surround.





Our Flame, Your Fire

Creating a dramatic focal point in your home begins with a custom fire. Any combination of the options below can drive your interior design. Whether you're looking to complement your great room, showcase your entertainment area, or divide the dining room from the bar, make a statement with elements that reflect your style and inspire your home. RED series fireplaces offer 21 variations of stone and glass media options, LED accent lighting, porcelain or granite refractory liners and surrounds.

Media Options

The area around your ribbon fire has many options. Choose the smooth sleek look of black granite stone, or create a "fire & ice" effect with crystal glass rocks. The color palate is bold and the look is stunning.

Media options with LED illumination



Scarlet



Emerald



Cobalt



Crystal

Using the **Crystal glass media** you can choose up to 7 different colors of LED illumination



Crystal with white
LED illumination



Crystal with red
LED illumination



Crystal with green
LED illumination



Crystal with blue
LED illumination

Media options without LED illumination



Onyx



Opal

Refractory Options

The interior of your firebox will come alive with optional reflective black porcelain panels or highly polished black granite stone. Choose either of these options as an upgrade to customize your fire. Includes matching granite or porcelain base when no media is selected.



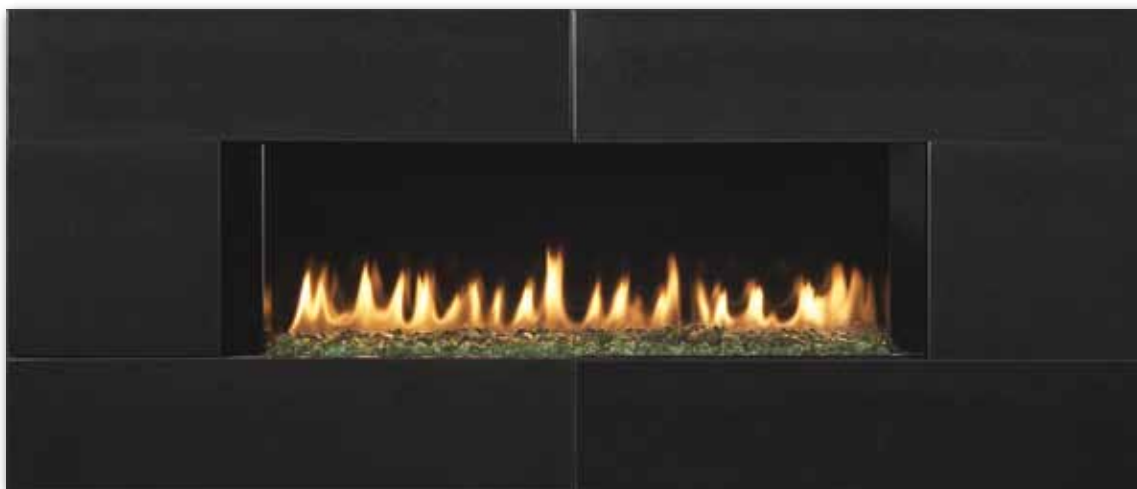
Black Porcelain refractory and base



Absolute Black Granite refractory and base

Surround Options

Combining the black granite stone surround with the matching black granite refractory results in a true, seamless transition between the firebox and the wall surround. All RED Series fireplaces ship with a standard mesh frame.



**Six-piece Stone Surround
Absolute Black Granite**



**Standard Mesh Frame
One piece frame with mesh**

RED40 Model SKUs

Lights		Media (If Lights)				Media (If No Lights)			Refractory			Model name
Lights	No Lights	Scarlet (Red)	Cobalt (Blue)	Emerald (Green)	Crystal (Clear)	Onyx (Black)	Opal (White)	None	Granite	Porcelain	None	
•		•						•	•			RED40-LRG
•		•						•		•		RED40-LRP
•		•						•			•	RED40-LRN
•			•					•	•			RED40-LBG
•			•					•		•		RED40-LBP
•			•					•			•	RED40-LBN
•				•				•	•			RED40-LGG
•				•				•		•		RED40-LGP
•				•				•			•	RED40-LGN
•					•			•	•			RED40-LCG
•					•			•		•		RED40-LCP
•					•			•			•	RED40-LCN
	•					•			•			RED40-NOG
	•					•				•		RED40-NOP
	•					•					•	RED40-NON
	•						•		•			RED40-NWG
	•						•			•		RED40-NWP
	•						•				•	RED40-NWN
	•							•	•			RED40-NNG
	•							•		•		RED40-NNP
	•							•			•	RED40-NNN

RED40 See Through Model SKUs

Lights		Media (If Lights)				Media (If No Lights)			Refractory			Model name
Lights	No Lights	Scarlet (Red)	Cobalt (Blue)	Emerald (Green)	Crystal (Clear)	Onyx (Black)	Opal (White)	None	Granite	Porcelain	None	
•		•						•	•			RED40ST-LRG
•		•						•		•		RED40ST-LRP
•		•						•			•	RED40ST-LRN
•			•					•	•			RED40ST-LBG
•			•					•		•		RED40ST-LBP
•			•					•			•	RED40ST-LBN
•				•				•	•			RED40ST-LGG
•				•				•		•		RED40ST-LGP
•				•				•			•	RED40ST-LGN
•					•			•	•			RED40ST-LCG
•					•			•		•		RED40ST-LCP
•					•			•			•	RED40ST-LCN
	•					•			•			RED40ST-NOG
	•					•				•		RED40ST-NOP
	•					•					•	RED40ST-NON
	•						•		•			RED40ST-NWG
	•						•			•		RED40ST-NWP
	•						•				•	RED40ST-NWN
	•							•	•			RED40ST-NNG
	•							•		•		RED40ST-NNP
	•							•			•	RED40ST-NNN

RED60 Model SKUs

Lights		Media (If Lights)				Media (If No Lights)			Refractory			Model name
Lights	No Lights	Scarlet (Red)	Cobalt (Blue)	Emerald (Green)	Crystal (Clear)	Onyx (Black)	Opal (White)	None	Granite	Porcelain	None	
•		•						•	•			RED60-LRG
•		•						•		•		RED60-LRP
•		•						•			•	RED60-LRN
•			•					•	•			RED60-LBG
•			•					•		•		RED60-LBP
•			•					•			•	RED60-LBN
•				•				•	•			RED60-LGG
•				•				•		•		RED60-LGP
•				•				•			•	RED60-LGN
•					•			•	•			RED60-LCG
•					•			•		•		RED60-LCP
•					•			•			•	RED60-LCN
	•					•			•			RED60-NOG
	•					•				•		RED60-NOP
	•					•					•	RED60-NON
	•						•		•			RED60-NWG
	•						•			•		RED60-NWP
	•						•				•	RED60-NWN
	•							•	•			RED60-NNG
	•							•		•		RED60-NNP
	•							•			•	RED60-NNN

Modern Made Easy - Select your options and start your order



ACCENT LIGHTING

1 YES*
 NO

*LED Accent Lighting for glass media options only

MEDIA

2 CRYSTAL (Glass)
 SCARLET (Glass)
 EMERALD (Glass)
 COBALT (Glass)
 OPAL (Stone)
 ONYX (Stone)
 GRANITE (Stone)

REFRACTORY

3 BLACK POWDER CT*
 BLACK PORCELAIN
 BLACK GRANITE

*Standard Finish

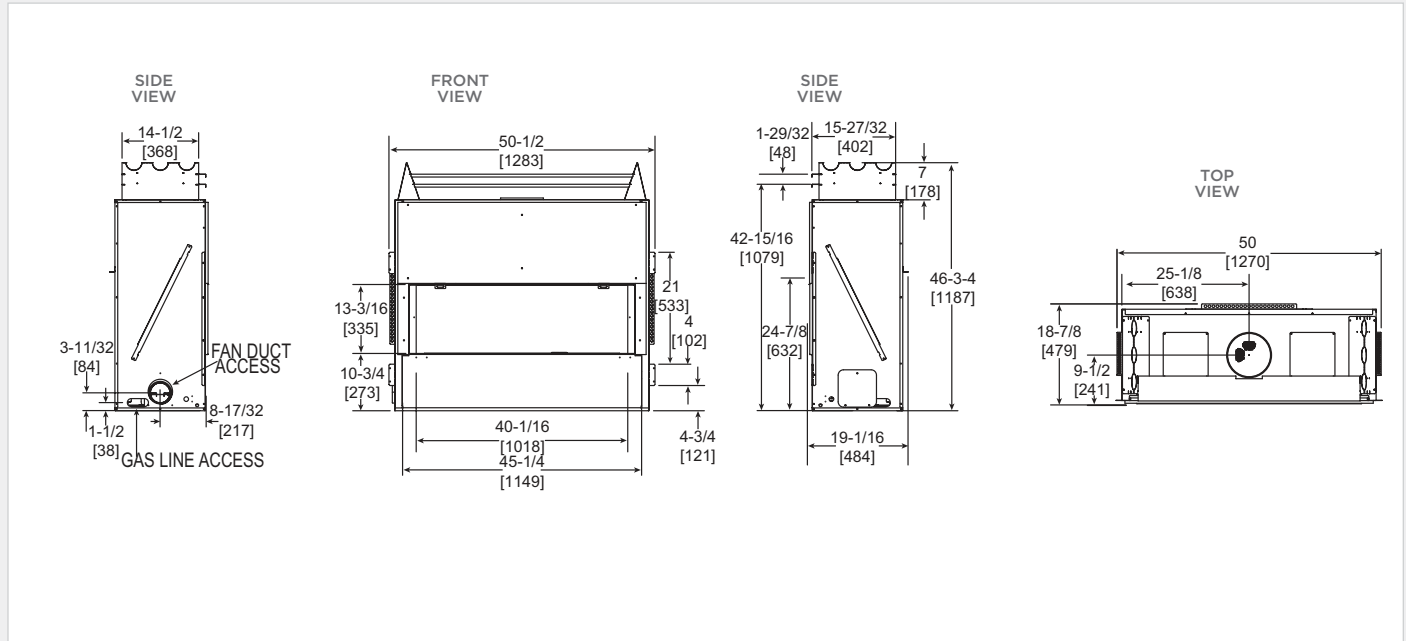
SURROUND

4 BLACK GRANITE
 CUSTOM*

*Non-factory

RED40 Specifications

MODEL	FRONT WIDTH		BACK WIDTH		HEIGHT		DEPTH		Btu/Hour Input
	Unit	Framing	Unit	Framing	Unit	Framing	Unit	Framing	
RED40	48-1/8	50-1/4	48-1/8	50-1/4	46-3/4	46-3/4	18-3/4	18-1/4	34,000 (NG) 34,000 (LP)

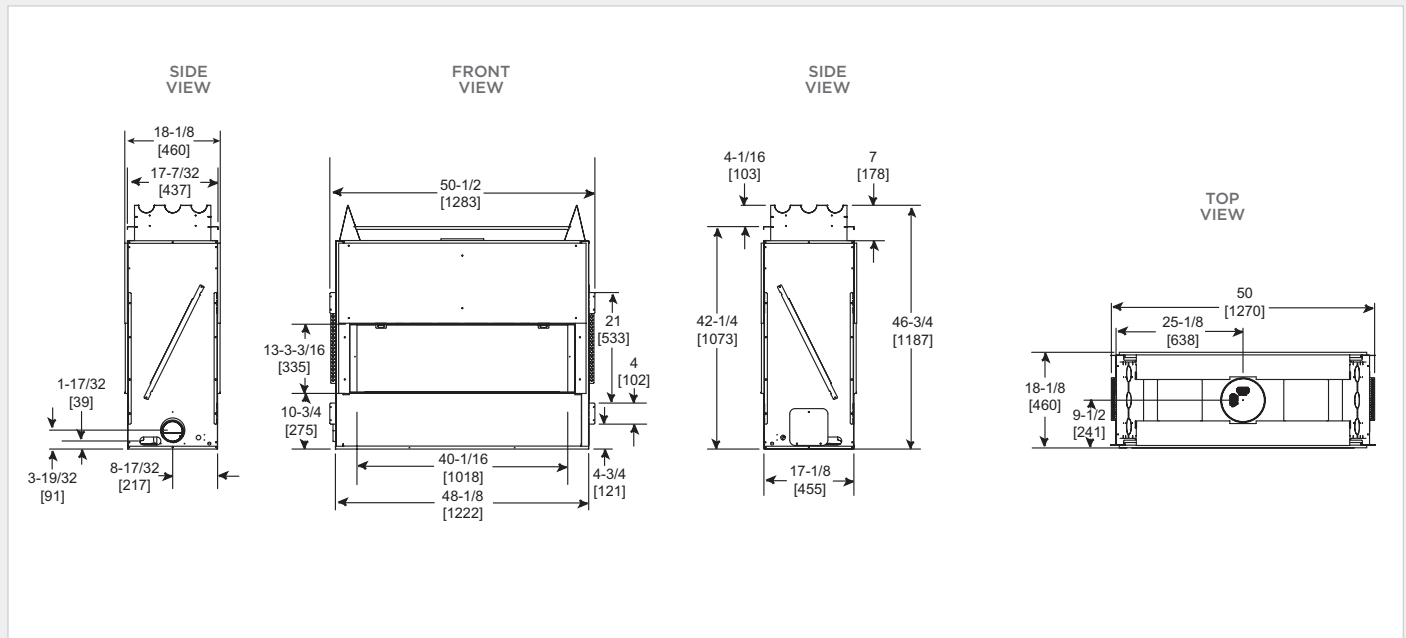


Dimensions above are in inches. Reference dimensions only. We recommend measuring individual units at installation. Assumes the use of 1/2" Sheetrock. NOTE: Combustible material should not be installed over the face. Make sure you do NOT cover the decorative door opening.

Refer to installation manual for detailed specifications on installing this product. Heat & Glo reserves the right to update units periodically. The flame and ember appearance may vary based on the type of fuel burned and the venting configuration used. Pictures in this brochure are not a true representation of the fireplace and/or flames.

RED40 See Through Specifications

MODEL	FRONT WIDTH		BACK WIDTH		HEIGHT		DEPTH		Btu/Hour Input
	Unit	Framing	Unit	Framing	Unit	Framing	Unit	Framing	
RED40-ST	48-1/8	50-1/4	48-1/8	50-1/4	46-3/4	46-3/4	18-1/8	17-1/4	34,000 (NG) 34,000 (LP)

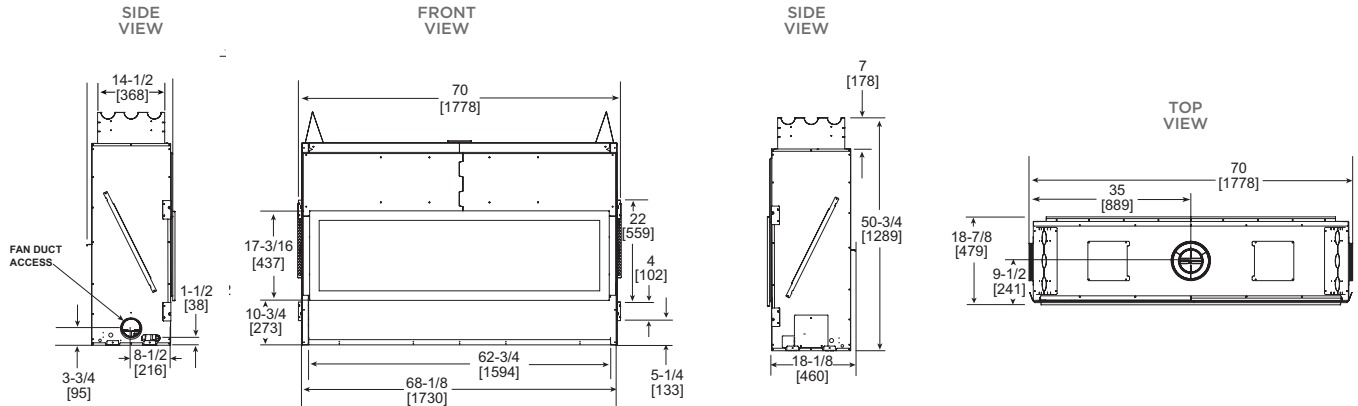


Dimensions above are in inches. Reference dimensions only. We recommend measuring individual units at installation. Assumes the use of 1/2" Sheetrock. NOTE: Combustible material should not be installed over the face. Make sure you do NOT cover the decorative door opening.

Refer to installation manual for detailed specifications on installing this product. Heat & Glo reserves the right to update units periodically. The flame and ember appearance may vary based on the type of fuel burned and the venting configuration used. Pictures in this brochure are not a true representation of the fireplace and/or flames.

RED60 Specifications

MODEL	FRONT WIDTH		BACK WIDTH		HEIGHT		DEPTH		Btu/Hour Input
	Unit	Framing	Unit	Framing	Unit	Framing	Unit	Framing	
RED60	68-1/8	70-3/8	68-1/8	70-3/8	50-3/4	51	18-1/8	18-1/4	44,000 (NG)
									43,000 (LP)

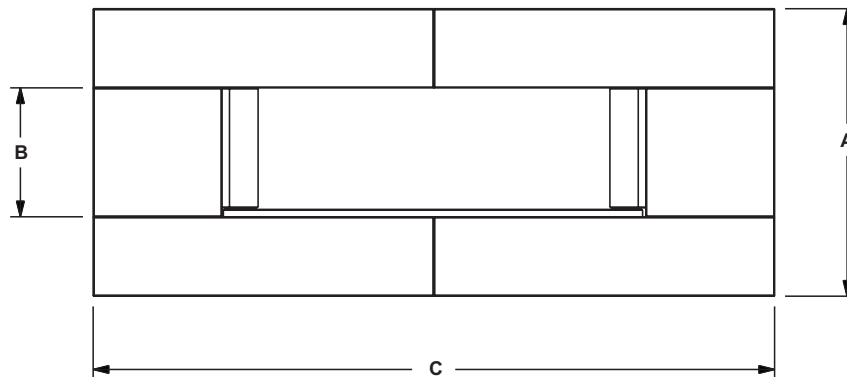


Dimensions above are in inches. Reference dimensions only. We recommend measuring individual units at installation. Assumes the use of 1/2" Sheetrock. NOTE: Combustible material should not be installed over the face. Make sure you do NOT cover the decorative door opening.

Refer to installation manual for detailed specifications on installing this product. Heat & Glo reserves the right to update units periodically. The flame and ember appearance may vary based on the type of fuel burned and the venting configuration used. Pictures in this brochure are not a true representation of the fireplace and/or frames.

Six-piece Stone Surround Dimensions

MODEL	FRONT WIDTH	HEIGHT	DEPTH	MATERIAL
	Unit	Unit	Unit	
RED40/RED40 See Through	68-3/4	29	3/4	Absolute Black Granite
RED60	88-3/4	33	3/4	



MODEL	A	B	C
RED40/RED40 See Through	29	13	68-3/4
RED60	33	17	88-3/4

U.S. Efficiencies

Steady State

Since most homeowners use their fireplaces for an extended time while they are in the room, Steady State measures how efficiently your fireplace converts fuel to heat once it is warmed up and running in a “steady state”.

AFUE

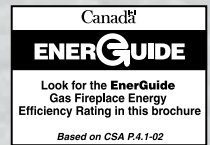
AFUE rating is more typically used with appliances, like your furnace, that continually cycle on and off to maintain a constant temperature.

Rating	RED40	RED40-ST	RED60
Steady State	67.2% (NG), 67.2% (LP)	69.7% (NG), 69.7% (LP)	59.0% (NG), 59.0% (LP)
AFUE	52.4% (NG), 55.4% (LP)	64.3% (NG), 60.0% (LP)	57.2% (NG), 57.2% (LP)

Canada Efficiencies

EnerGuide (CSAP4.1.-02)

EnerGuide is a rating used in Canada to measure annual fireplace efficiency.



Rating	RED40	RED40-ST	RED60
EnerGuide (CSAP4.1.-02)	57.2% (NG), 57.5% (LP)	66.4% (NG), 61.5% (LP)	59.7% (NG), 59.7% (LP)



For complete information and valuable assistance on this series, please contact us at:



Heat & Glo

A brand of Hearth & Home Technologies Inc.®

7571 215th Street West

Lakeville, MN 55044

(888) 427-3973 (952) 985-6000

Web: heatnglo.com

*For full warranty details go to www.heatnglo.com

HNG-1110U-1109

Limited Lifetime Warranty*

The strongest in the industry, Heat & Glo provides a limited lifetime warranty on most important aspects: firebox and heat exchanger.