

7100 EPA WOOD FIREPLACE



**QUADRA-FIRE**

PURE PERFORMANCE



## LOAD LIGHT & LIVE

Combine a beautiful large fire view with easy loading and high-efficiency performance, and you have the Quadra-Fire 7100 wood-burning fireplace. The 7100 is a bold focal point for any room and it's a powerful heating tool designed to be used everyday.

Load, Light & Live with Quadra-Fire's exclusive Automatic Combustion Control (ACC). ACC delivers the right amount of air to the fire for easy lighting and reloading, and then shuts down automatically to your desired level of heat. The result of this exclusive technology is you spend more time enjoying your fireplace and less time tending it.

The Quadra-Fire 7100 is capable of adding up to two remote Heat Zone® systems. This allows you to increase overall heat distribution through your home, making the 7100 one of the most advanced wood-burning home heating systems available today.

Cover: 7100 with Valley Forge front and satin nickel trim door  
Above: 7100 with Mission Hill front and satin nickel trim door

---

# 7100 EPA WOOD FIREPLACE

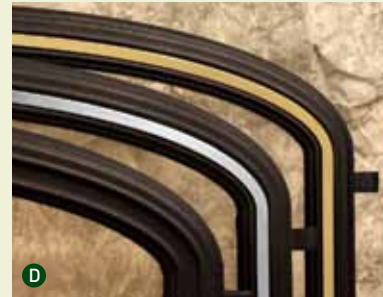
## SPECIAL FEATURES

**A Huge Capacity** - The tall arched opening makes all the difference in loading this 3.4 cubic foot firebox to the limit for the longest possible burn.

**B Beautiful Fire** - Quadra-Fire four-zone combustion gives you a mesmerizing fire while burning the smoke and gases for maximum efficiency.

**C Decorative Firescreen** - Optional firescreen lets you keep the doors open, hear the crackling fire and experience the magic of open hearth living.

**D Trim Options** - Doors are available in your choice of three trim options: black, satin nickel or gold.



## TWO DURABLE FRONTS FIT MANY HOME STYLES AND DÉCORS

**Valley Forge** - Ironage, Colonial, Traditional. The Valley Forge has a textured surface and is trimmed in 1/2" and 5/8" twisted iron bar stock.



Valley Forge front detail

**Mission Hill** - Formal, Modern, Mission. The Mission Hill has a smooth surface with coined and layered strap iron and raised corner details.



Mission Hill front detail

## REMOTE ZONE HEATING CAPABILITIES

**A AUTOMATIC COMBUSTION CONTROL HANDLE** - Automatically slows down the burn to a preset level after the fire is established. Slide it to the right every time you start the fire or add wood, then slide it to the left to set your desired burn rate.

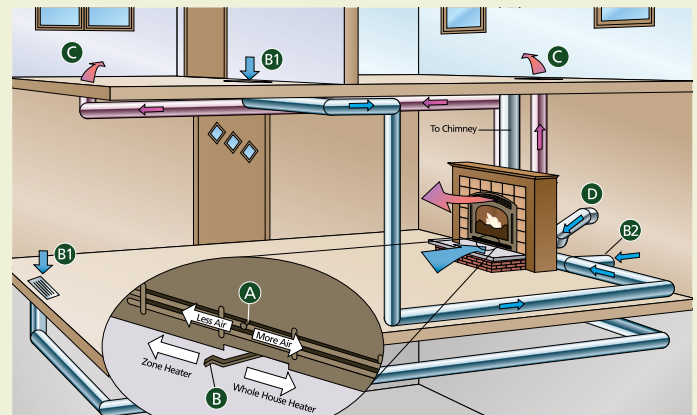
**B AUXILIARY CONVECTION AIR HANDLE** - Allows you to change the fireplace from a zone heater into a whole house heater

**LEFT:** Slide to the left and use the fireplace as a zone heater. This option pulls room air into the bottom grille of the fireplace, heats the air and recirculates it to the room(s).

**RIGHT:** Slide to the right and use the fireplace as a whole house heater by selecting from one of two options when installing:

**B1 INDOOR CONVECTION COLD AIR RETURN OPTION\*** - Choose to draw convection air from any place within the envelope of the home by pulling air from return ducts to create and speed up natural heat convection throughout the home

**B2 OUTSIDE CONVECTION AIR RETURN OPTION\*** - Choose to draw convection air from an outside air source, which positively pressurizes the heated air into the home and helps to keep drafts sealed.



**C REMOTE ZONE HEATERS** - By using one or two of the optional remote zone heaters, the homeowner decides where and how much heat is transferred to other rooms such as playrooms, bathrooms, bedrooms and studies. For even more temperature control, add a 110-volt thermostat (not included). Note: Zone Heat Kits use B-Vent pipe.

**D OUTSIDE COMBUSTION AIR SUPPLY** - Installed to reduce negative pressure within the home.

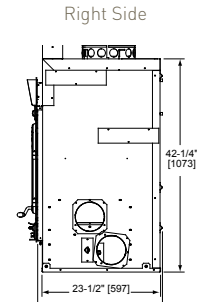
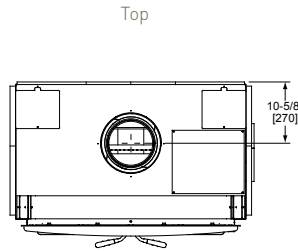
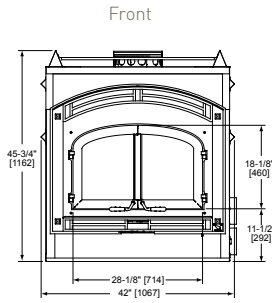
\* In both whole house heater options, the lower grille of the fireplace is sealed and the selected type of convection air is drawn into the blower system through an inlet behind the fireplace.



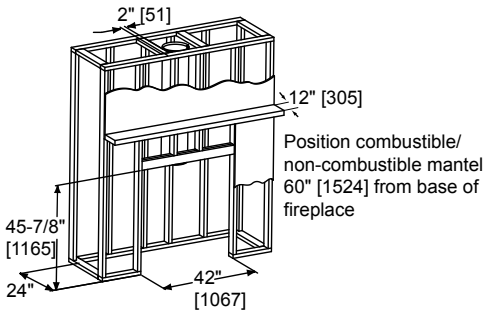
# 7100 SPECIFICATIONS

## Technical Data

	Peak BTU/Hour Output	Burn Time	Maximum Wood Length	Shipping Weight	Blower System	Heating Capacity*	Emissions (g/hr)	Efficiency
7100	58,500	up to 16 hours	24"	570 lbs	320 cfm	1,200 - 3,000 sq. ft.	3.1 EPA certified	up to 77%



### Framing Dimensions & Clearances



#### ENCLOSED AREA:

- Appliance to back wall ..... 1/2"
- Appliance to sidewall ..... 1"
- Duct boots to framing ..... 0"
- Top standoffs to header..... 0"

#### EXPOSED SURFACES:

- Faceplate to sidewall..... 16"
- Heat zone air grilles to ceiling ..... 12"

#### MANTEL:

- Minimum mantel height (from base)..... 60"
- Maximum mantel depth..... 12"

#### MIN. FLOOR PROTECTION:

- 20" deep by 41" wide, centered in front of fireplace

\*See your local Quadra-Fire dealer for help in determining the product that best suits your heating needs based on climate and home efficiency. BTUs will vary depending on the type of fuel used.



A brand of Hearth & Home Technologies®

1445 North Highway, Colville, WA 99114  
www.quadrafire.com | 800-926-4356

facebook.com/QuadraFire twitter.com/QuadraFire youtube.com/QuadraFirePower

Available From:

### Limited Lifetime Warranty\*\*

The strongest in the industry, Quadra-Fire provides a limited lifetime warranty on the most important aspects: firebox and heat exchanger.

\*\* For full warranty details go to [www.quadrafire.com](http://www.quadrafire.com)

IMPORTANT - READ BEFORE YOU INSTALL!

Refer to the Owner/Installation Manual for complete clearance requirements and specifications. The images and descriptions in this brochure are provided to assist you in product selection only.

Quadra-Fire is a registered trademark of Hearth & Home Technologies. Product specifications and pricing subject to change without notice.

Fireplace glass and other surfaces get extremely HOT and can cause severe burns if touched. Do not remove the protective safety screen from the front of the glass. Keep a safe distance away. To learn more visit [www.fireplaces.com/fireplacesafety](http://www.fireplaces.com/fireplacesafety)