

EDGE™ 60 PELLET FIREPLACE



QUADRA-FIRE

PURE PERFORMANCE



SMART VERSATILE PERFORMER

The EDGE 60 zero-clearance pellet fireplace is a sophisticated biomass appliance that delivers exceptional performance in a spectacular centerpiece for your home. Recognized by Professional Builder magazine as one of the 100 Best New Products of 2009, the EDGE 60 has the look you want whether modern or traditional. Award winning design and technology in the EDGE 60 delivers high performance, great efficiencies and all the flexibility to heat your home the way your want it.

Cover Photo: EDGE 60 Pellet Fireplace shown with Curve Front in Black with Satin Nickel

Above: EDGE 60 Pellet Fireplace shown with Tuscan Bar front in oiled bronze

EDGE 60 SPECIAL FEATURES

ENERGY EFFICIENT

With its Advanced Energy technology, the EDGE 60 delivers bold performance with ease. A few simple selections on the programmable wall thermostat and your part is done. The EDGE 60 does the rest with easier starts while maintaining the most efficient burn possible.

FUEL VERSATILITY

The EDGE 60 Pellet Fireplace burns a wide variety of renewable biomass fuels, including:

- Wood Pellets: Premium, Standard, High Ash
- Shelled Corn
- Sunflower Seeds
- Wheat

You simply choose the fuel type that suits your needs and is available in your area. The EDGE 60 adjusts the settings automatically to burn efficiently. With efficiency exceeding 80% and emissions of less than 1 gram per hour, the EDGE 60 helps you save money and protect the environment.

EASY ACCESS FOR SERVICE

Open the front, remove the safety screws and slide the entire unit out of the wall. The EDGE 60 provides easy access for service and cleaning (top right picture).

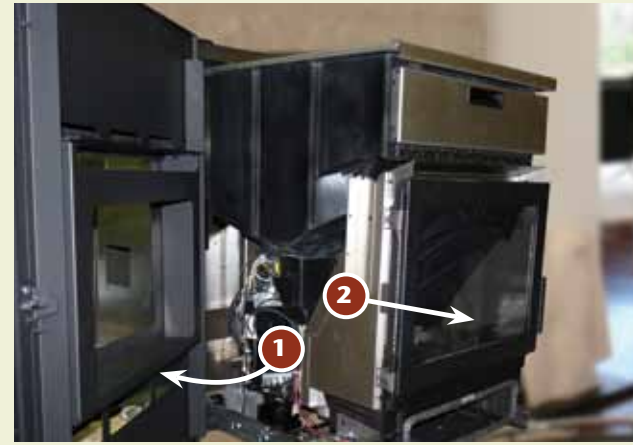
The EDGE 60 zero-clearance pellet fireplace comes loaded with standard features to meet all your supplemental home heating needs. With multi-fuel capabilities, you can choose the fuel you want to use, and no matter which fuel you choose, you can count on highly efficient heating. Plus, the EDGE 60 can be finished with a variety of fronts ranging from clean and modern to traditional and elegant.

STANDARD FEATURES

- Multi-fuel capable
- 120 pound hopper capacity
- Cast iron fluted fire back
- Airfoil heat exchanger
- Comfort-quiet blowers
- Firepot auto clean system
- Automatic lighting and operation programs for different fuels
- Programmable thermostat wall control
- Easy access front loading hopper

OPTIONS

- Four different fronts in several finishes:
 - Natural - Matte Black
 - Studio - Matte Black, Satin Nickel, Oiled Bronze
 - Curve - Matte Black, Black w/Satin Nickel
 - Tuscan Bar - Black w/Pewter accents, Oiled Bronze w/Copper accents
- 6 foot 12-volt power cord for power outage
 - Battery not included



FOUR UNIQUE FRONTS

The EDGE 60 can be customized with four different fronts, available in several finishes, to match any decor!



Tuscan Bar



Natural



Studio



Curve

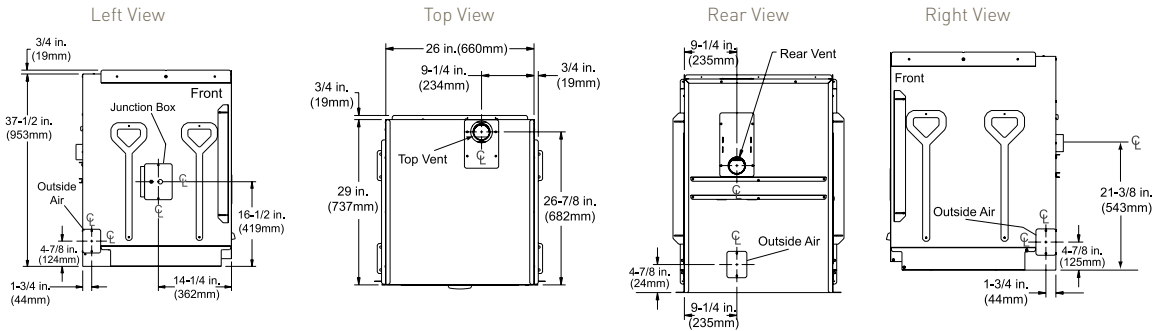
SMART OPERATION

The EDGE 60 Pellet Fireplace is an intelligent pellet appliance. You choose the fuel type you are going to use—and the programmable wall thermostat does the rest.

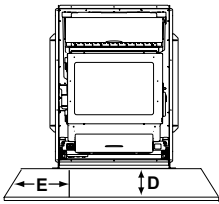


DIMENSIONS

MODEL	FRONT WIDTH		HEIGHT		DEPTH		GLASS SIZE AREA
	UNIT	FRAMING	UNIT	FRAMING	UNIT	FRAMING	
EDGE 60	26	27-1/2	37-1/2	38-1/4	29	30	18-1/2 X 12-1/4



Hearth Extension



	LOCATION	INCHES	MILLIMETERS
D	Floor protection hearth extension from door opening	6	152
E	Floor protection to the side of door opening	6	152

EDGE 60 PELLET FIREPLACE	
BTU/HOUR INPUT ¹	14,620 - 52,400
HEATING CAPACITY ^{1,2}	1,100 - 2,900 square feet
FEED RATE ¹	Max. 8lbs/hr
HOPPER CAPACITY	120 lbs.
OVERALL EFFICIENCY ^{1,2}	Up to 83.3%
PARTICULATE EMISSIONS ¹	Under 1 gram/hr
FLUE SIZE	3" or 4"
SHIPPING WEIGHT	430 lbs.

¹Based on the burning of premium wood pellets, calculated at 8,600 Btus per pound.

²See your local Quadra-Fire dealer for help in determining the product that best suits your heating needs based on climate and home efficiency.

Available From:



A brand of Hearth & Home Technologies®
1445 North Highway, Colville, WA 99114
www.quadrafire.com | 800-926-4356

- facebook.com/QuadraFire
- twitter.com/QuadraFire
- youtube.com/QuadraFirePower

Limited Lifetime Warranty**

The strongest in the industry, Quadra-Fire provides a limited lifetime warranty on the most important aspects: firebox and heat exchanger.

** For full warranty details go to www.quadrafire.com

†BTUs will vary depending on the type of fuel used.

IMPORTANT - READ BEFORE YOU INSTALL! Refer to the Owner/Installation Manual for complete clearance requirements and specifications. The images and descriptions in this brochure are provided to assist you in product selection only. Quadra-Fire is a registered trademark of Hearth & Home Technologies®. Product specifications and pricing subject to change without notice.

Fireplace glass and other surfaces get extremely HOT and can cause severe burns if touched. Do not remove the protective safety screen from the front of the glass. Keep a safe distance away. To learn more visit www.fireplaces.com/fireplacesafety