



DESIGNED | to inspire

STOVES

Direct Vent Gas Stoves

GAS STOVES

Extra heat, extra easy

Gas stoves are an easy and efficient way to add the warming, transforming experience of fire. There's no framing or hearth required, so installation is simple and quick. Plus their smaller size fits in more places. Traditional or modern, a Heat & Glo gas stove is ideal for remodeling projects, smaller rooms, basements, cabins—even a three-season porch.



Cover: Tiara I in espresso finish

Top: Paloma with gray glass front and hearth pad

GAS STOVES



PALOMA

The Paloma combines sleek lines and European styling with the advanced thinking and practicality of a direct vent stove. Its vertical configuration, curved front and parabolic shape make a profound design statement. The tall firebox opening allows for a perfect bed-level view of realistic looking fiber rocks. Perfect for the urban dweller wanting to add the ambiance of fire to a bedroom or more intimate space. Paloma shown above with curved glass front and optional hearth pad in bronze.



TIARA I

Perfect for medium-sized rooms, the Tiara I's sturdy and beautiful cast iron framework holds within it high efficiency and a gorgeous flame, providing a warm gathering place for friends and family. Detailed casting available in three colors as varied as espresso, cocoa brown or matte black, depending on your color scheme. Tiara I shown above in espresso.



TIARA II

Ideal for larger spaces, its sturdy and beautiful cast iron framework holds within it a gorgeous flame, providing a warm gathering place for friends and family. Detailed casting available in three colors as varied as espresso, cocoa brown or matte black, depending on your color scheme. Tiara II shown above in matte black.



TIARA PETITE

The smallest of our direct vent gas stoves, the Tiara Petite is highly efficient, showing off a perfectly controlled flame and glow within its firebox. And its cast iron construction is available in three colors as varied as espresso, cocoa brown or matte black, depending on your color scheme. Shown above in matte black.

GAS STOVES



PALOMA FEATURES

- Offers a choice of two tinted, curved outer glass fronts, plus optional, matching hearth pads. Available in gray or bronze tints. (Shown above in bronze tint)
- The 41" high firebox with modern rock firebed is the tallest of any freestanding gas fireplace or stove



TIARA I FEATURES

- Constructed of sturdy cast iron
- Three finish options: espresso, cocoa brown or matte black (Shown above in espresso)
- Optional warming shelves enhance the realistic, traditional experience



TIARA I FEATURES

- Constructed of sturdy cast iron
- Three finish options: espresso, cocoa brown or matte black (Shown above in espresso)
- Optional warming shelves enhance the realistic, traditional experience



TIARA PETITE FEATURES

- Constructed of sturdy cast iron
- Three finish options: espresso, cocoa brown or matte black (Shown above in matte black)

GAS STOVES

PALOMA OPTIONS



Gray



Bronze



Gray



Bronze

GLASS FRONTS

Choose from two tinted, curved outer-glass fronts.

HEARTH PADS

Choose from two tinted glass hearth pads.

TIARA OPTIONS



FIREBOX REFRACTORY UPGRADE

Upgrade the inside of your firebox with brick. Available for the Tiara I only. Refractory upgrade comes standard in the Tiara II.



WARMING SHELVES

Optional warming shelves enhance the realistic, traditional stove experience. Available for the Tiara I and Tiara II.



Matte Black



Espresso



Cocoa Brown

OPTIONS NOT PICTURED

- Firescreen
- Grille top for use when venting out the rear of stove
- Touch-up paint

FINISH OPTIONS

Choose from matte black, espresso or cocoa brown.

TAKE CONTROL

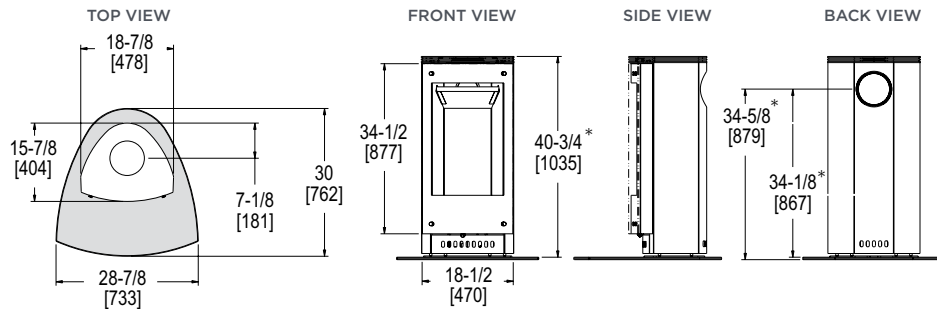
Add an optional wall switch or remote control for even more convenience.

| | Wall Switch or Remote Control | IntelliFire or Standing Pilot | On/ Off | Fan Speed | Flame High/Low | Pilot Activation | AUX Function | Temp Readout | Thermostat Mode | Timer Mode | 7-day Programmable | Battery Strength Indicator | Auto Battery Backup |
|---|-------------------------------|-------------------------------|---------|-----------|----------------|------------------|--------------|--------------|-----------------|------------|--------------------|----------------------------|---------------------|
| WSK200-HNG (Available for Paloma only) | Wall | IntelliFire | • | • | | • | | | | | | • | • |
| RCTS-MLT (Available for Tiara I, II and Petite only) | Remote | Standing Pilot | • | • | • | | | • | • | • | | | |
| RCT-MLT-HNG (Available for Paloma only) | Remote | IntelliFire | • | • | • | | | • | • | • | | | |
| SMART-STAT-HNG (Available for all models) | Remote | Both | • | | | | | • | • | • | | | |
| SMARTBATTHNG-B (Available for Tiara I, II and Petite only) | Remote | Both | • | | | | | • | • | • | | | |

PALOMA SPECIFICATIONS

| MODEL | FRONT WIDTH | BACK WIDTH | HEIGHT | DEPTH | VIEWING AREA | BTU/HOUR INPUT |
|--------|-------------|------------|--------|--------|-----------------|--------------------|
| PALOMA | 18-7/8 | 18-7/8 | 40-3/4 | 15-7/8 | 18-1/2 X 34-1/2 | 20,000-28,000 (NG) |

Shown with optional hearth pad

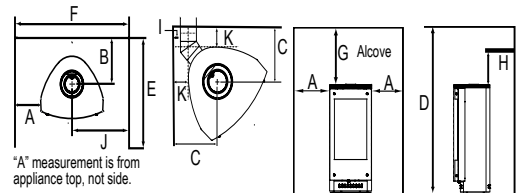


*Vertical measurement includes optional hearth pad height of 3/8"

CLEARANCES TO COMBUSTIBLES

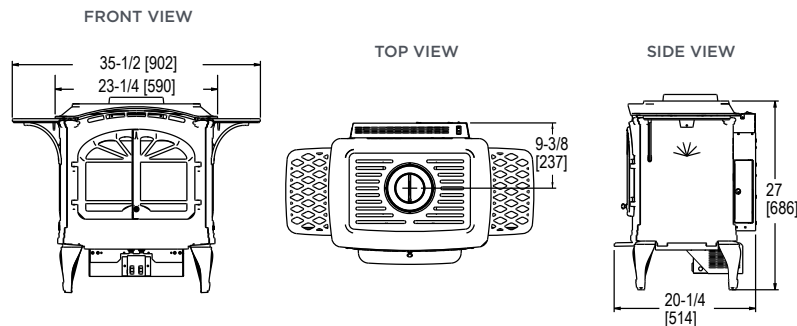
| MODEL | A | B | C | D | E | F | G | H | I | J | K |
|--------|---|--------|--------|----|----|--------|--------|--------|---|--------|---|
| PALOMA | 6 | 10-1/8 | 12-1/8 | 54 | 36 | 30-3/4 | 13-1/4 | 13-1/4 | 1 | 15-1/2 | 5 |

Clearances are in inches. See installation manual for more information



TIARA I SPECIFICATIONS

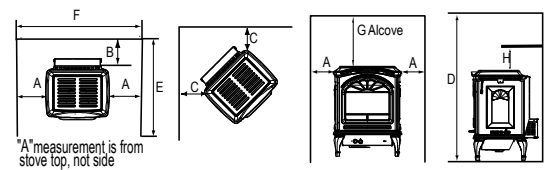
| MODEL | FRONT WIDTH | BACK WIDTH | HEIGHT | DEPTH | VIEWING AREA | BTU/HOUR INPUT |
|---------|-------------|------------|--------|--------|--------------|--------------------|
| TIARA I | 35-1/2 | 35-1/2 | 27 | 20-1/4 | 14 X 13-1/4 | 22,000-31,000 (NG) |



CLEARANCES TO COMBUSTIBLES

| MODEL | A | B | C | D | E | F | G | H | | |
|---------|-------|-----|-----|----|----|----|----|-------------|--------------|---------------------------------|
| | | | | | | | | Top of pipe | Side of pipe | Inside outside corner wall vent |
| TIARA I | 8-1/2 | 1/4 | 3/8 | 54 | 36 | 40 | 27 | 1-1/2 | 1 | 9 |

Clearances are in inches. See installation manual for more information

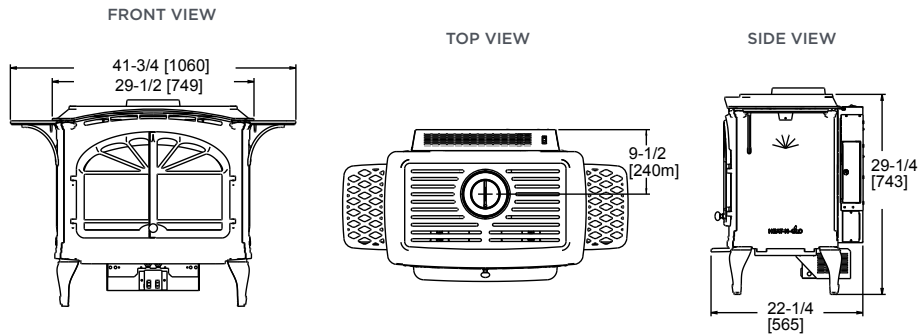


Dimensions in diagrams are in inches and millimeters. Dimensions in table are in inches. Product information is not complete and is subject to change without notice. Product installation must adhere strictly to instructions shipped with product. We recommend measuring individual units at installation. Assumes the use of 1/2" sheetrock. NOTE: Combustible material should not cover the face. Make sure you do NOT cover the decorative door opening.

Refer to installation manual for detailed specifications on installing this product. Heat & Glo reserves the right to update units periodically. The flame and ember appearance may vary based on the type of fuel burned and the venting configuration used. Actual product appearance, including flame, may differ from product images.

TIARA II SPECIFICATIONS

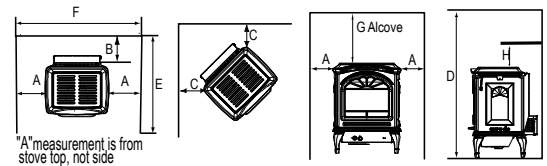
| MODEL | FRONT WIDTH | BACK WIDTH | HEIGHT | DEPTH | VIEWING AREA | BTU/HOUR INPUT |
|----------|-------------|------------|--------|--------|-----------------|--------------------|
| TIARA II | 41-3/4 | 41-3/4 | 29-1/4 | 22-1/4 | 22-1/2 X 14-1/4 | 27,000-38,500 (NG) |



CLEARANCES TO COMBUSTIBLES

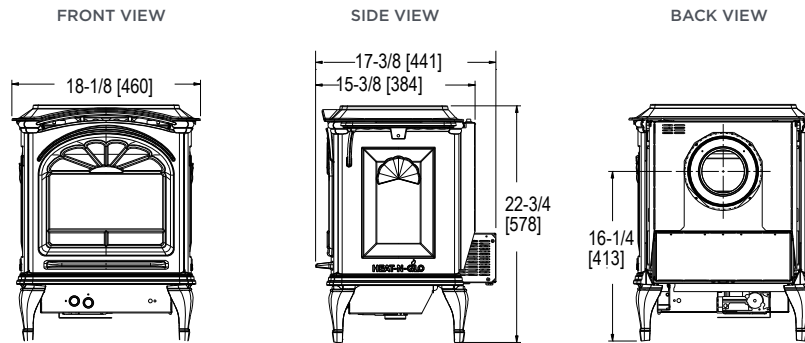
| MODEL | A | B | C | D | E | F | G | H | | |
|----------|-------|-----|-----|----|----|----|--------|-------------|--------------|---------------------------------|
| | | | | | | | | Top of pipe | Side of pipe | Inside outside corner wall vent |
| TIARA II | 5-1/4 | 1/4 | 3/8 | 54 | 36 | 40 | 31-3/4 | 1-1/2 | 1 | 9 |

Clearances are in inches. See installation manual for more information



TIARA PETITE SPECIFICATIONS

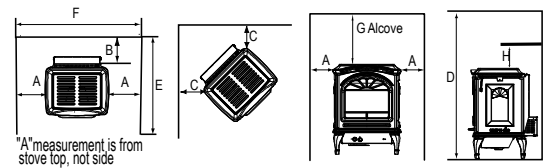
| MODEL | FRONT WIDTH | BACK WIDTH | HEIGHT | DEPTH | VIEWING AREA | BTU/HOUR INPUT |
|--------------|-------------|------------|--------|--------|--------------|--------------------|
| TIARA PETITE | 18-1/8 | 18-1/8 | 22-3/4 | 17-3/8 | 13 X 10-1/2 | 12,000-17,000 (NG) |



CLEARANCES TO COMBUSTIBLES

| MODEL | A | B | C | D | E | F | G | H |
|--------------|---|---|---|----|----|----|--------|--------|
| TIARA PETITE | 6 | 2 | 2 | 43 | 36 | 30 | 20-1/4 | 19-1/2 |

Clearances are in inches. See installation manual for more information



Dimensions in diagrams are in inches and millimeters. Dimensions in table are in inches. Product information is not complete and is subject to change without notice. Product installation must adhere strictly to instructions shipped with product. We recommend measuring individual units at installation. Assumes the use of 1/2" sheetrock. NOTE: Combustible material should not cover the face. Make sure you do NOT cover the decorative door opening.

Refer to installation manual for detailed specifications on installing this product. Heat & Glo reserves the right to update units periodically. The flame and ember appearance may vary based on the type of fuel burned and the venting configuration used. Actual product appearance, including flame, may differ from product images.

GAS STOVE EFFICIENCIES

U.S. EFFICIENCIES

Steady State - Since most homeowners use their fireplaces for an extended time while they are in the room, Steady State measures how efficiently your fireplace converts fuel to heat once it is warmed up and running in a "steady state".

AFUE - AFUE rating is more typically used with appliances, like your furnace, that continually cycle on and off to maintain a constant temperature.

| RATING | PALOMA | TIARA I | TIARA II | TIARA PETITE |
|---------------------|---------------------------------|---------------------------------|---------------------------------|---------------------------------|
| Steady State | 81.5 (NG), 81.5 (LP) | 83.0 (NG), 83.6 (LP) | 81.4 (NG), 82.8 (LP) | 81.4 (NG), 83.6 (LP) |
| AFUE | 67.4 (NG), 69.1 (LP) | 76.0 (NG), 75.6 (LP) | 66.8 (NG), 71.0 (LP) | 64.9 (NG), 65.6 (LP) |

CANADA EFFICIENCIES

EnerGuide (CSAP.4.1.-02) - EnerGuide is a rating used in Canada to measure annual fireplace efficiency.




| RATING | PALOMA | TIARA I | TIARA II | TIARA PETITE |
|--------------------------|-------------------------|-------------------------|-------------------------|-------------------------|
| EnerGuide (CSA P.4.1-02) | 70.8 (NG), 71.9 (LP) | 67.4 (NG), 69.5 (LP) | 57.3 (NG), 56.4 (LP) | 57.3 (NG), 56.4 (LP) |

For complete information on this model, please contact us at:

HEAT & GLO

No one builds a better fire

A brand of Hearth & Home Technologies Inc.*
7571 215th Street West, Lakeville, MN 55044
Web: heatnglo.com
Phone: (888) 427-3973 (952) 985-6000
E-mail: info@heatnglo.com

 facebook.com/HeatandGlo
 twitter.com/HeatandGlo
 youtube.com/HeatandGlo

LIMITED LIFETIME WARRANTY*

The strongest in the industry, Heat & Glo provides a limited lifetime warranty on the most important aspects: firebox and heat exchanger.

*For full warranty details, go to www.heatnglo.com.



HNG-1054U-0811

