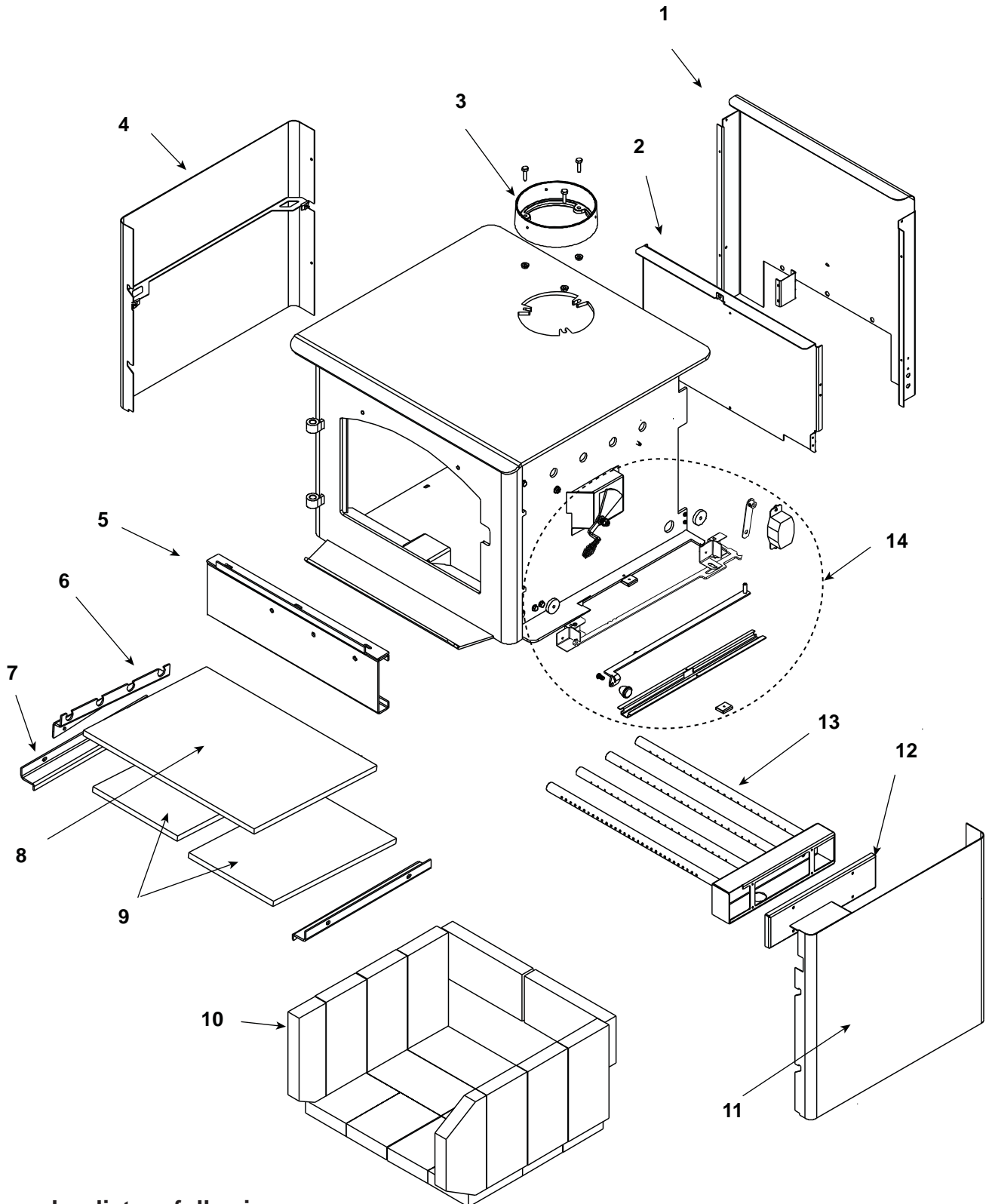


Millennium - Wood Stove
Advanced Combustion Control (ACC)

Beginning Manufacturing Date: July 2006
Ending Manufacturing Date: Active

31M-ACC-MBK (7/06 - Active),
31M-ACC-GT (7/06 - 10/06), 31M-ACC-NT (7/06 - 10/06)



Part number list on following page.

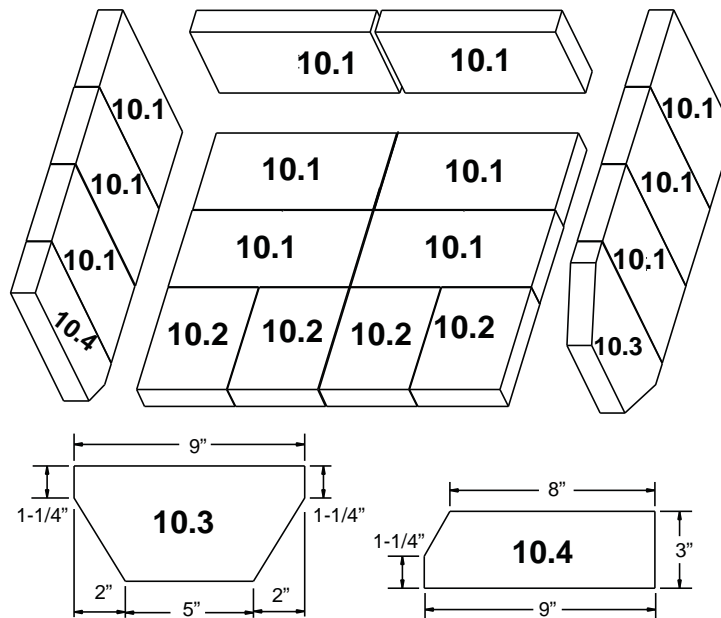
IMPORTANT: THIS IS DATED INFORMATION. When requesting service or replacement parts for your appliance please provide model number and serial number. All parts listed in this manual may be ordered from an authorized dealer.



Stocked at Depot

| ITEM | DESCRIPTION | COMMENTS | PART NUMBER | |
|------|--------------------------------------------------------------|----------|-------------|---|
| 1 | Air Channel, Convection w/Bracket (Retain Original SN Label) | | SRV7033-144 | |
| 2 | Air Supply Back | | SRV7033-134 | |
| 3 | Flue Collar | | SRV7000-302 | Y |
| 4 | Panel Assembly, Side, Left | | 7033-019 | |
| 5 | Rear Channel Assembly | | 7033-002 | Y |
| 6 | Tube Support Rack | | 7033-148 | |
| 7 | Brick Retainer | | 7033-149 | |
| 8 | Ceramic Fiber Blanket, 1/2" Thick (19" W x 13-3/4" H) | | 832-3390 | Y |
| 9 | Baffle Board - 9-1/2 in W x 13-3/4 in H | Pkg of 2 | SRV7033-209 | Y |

10 Brick Set



| | | | | |
|------|-------------------------------------------------|----------------|-------------|---|
| 10 | Brick Assembly - Complete Set | Pkg of 18 | SRV7033-006 | |
| 10.1 | Brick, 9 x 4-1/2 x 1-1/4" | Qty. 12 Req. | | |
| 10.2 | Brick, 6 x 4-1/2 x 1-1/4" | Qty. 4 Req. | | |
| 10.3 | Brick, 9 x 4-1/2 x 1-1/4" w/angles, see diagram | Qty. 1 Req. | | |
| 10.4 | Brick, 9 x 3 x 1-1/4" w/angle, see diagram | Qty. 1 Req. | | |
| | Brick, Uncut | Pkg of 1 | 832-0550 | |
| | | Pkg of 6 | 832-3040 | |
| 11 | Panel Assembly, Side, Right | | 7033-017 | |
| 12 | Tube Channel Top - Tube Channel Access Cover | | SRV7033-237 | |
| 13 | Tube, Channel Assembly | Manifold Tubes | SRV7033-023 | Y |

Additional service part numbers appear on following page.

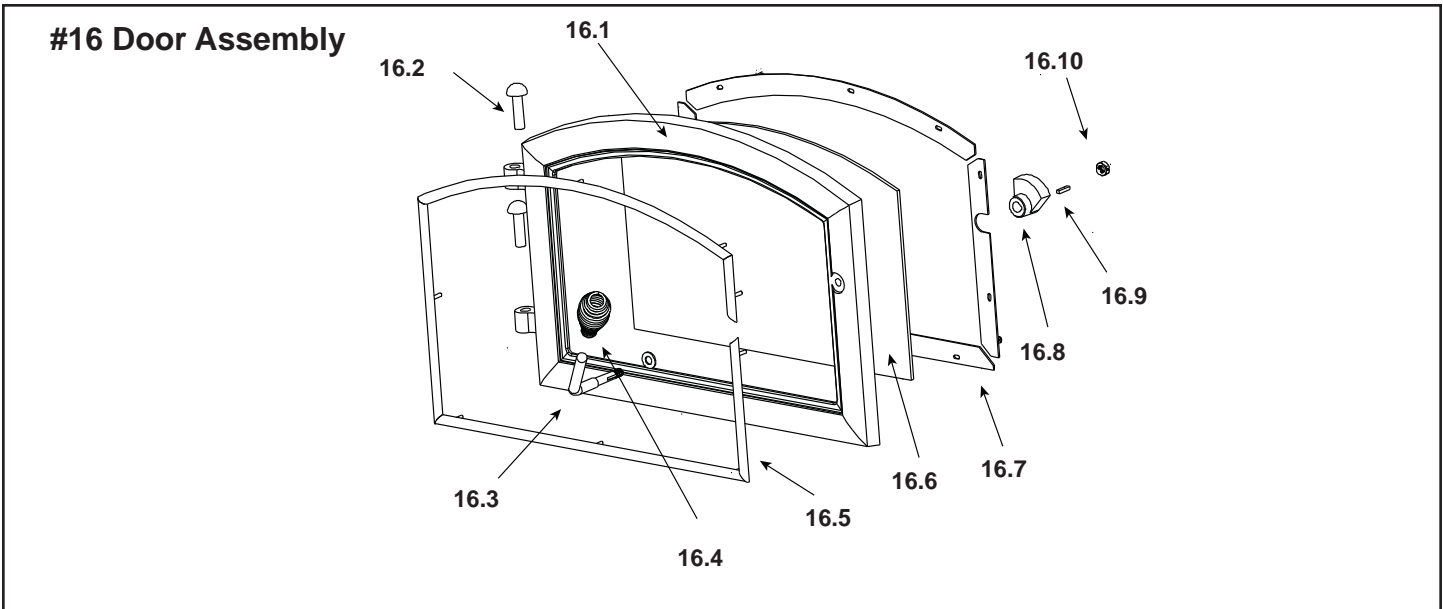
IMPORTANT: THIS IS DATED INFORMATION. When requesting service or replacement parts for your appliance please provide model number and serial number. All parts listed in this manual may be ordered from an authorized dealer.



**Stocked
at Depot**

| ITEM | DESCRIPTION | COMMENTS | PART NUMBER | |
|------------------------------------------------------|--------------------------------------------|--------------------|-------------|---|
| #14 Burn Rate Controls & Associated Parts | | | | |
| 14.1 | Burn Rate Control Assembly | | 7033-033 | Y |
| 14.2 | Spring Handle, 1/4", Gold | Pre SN 0071959142 | 832-0630 | Y |
| | Spring Handle, 1/4", Nickel | | 250-8340 | Y |
| | Spring Handle, 1/4", Black | Post SN 0071959142 | SRV7000-614 | Y |
| 14.3 | Door Gasket - Front & Rear Air Timer Doors | | 7033-282 | Y |
| 14.4 | Timer Air Control Assembly | | SRV7033-052 | Y |
| | Rear Air Door Assembly | | 7033-024 | Y |
| 14.5 | Rear Air Control Arm Assembly | | 7033-035 | Y |
| 14.6 | Start-Up Control Knob | | 7000-343 | |
| 14.7 | Air Control Rod Guide | | 7033-210 | |
| 14.8 | Latch, Magnet | For Air Control | 229-0631 | |
| 14.9 | Timer Arm Assembly | | 7033-034 | Y |
| 14.10 | Timer (Only) Replacement Assembly | | SRV480-1940 | Y |
| #15 Pedestal Assembly | | | | |
| 15.1 | Pedestal Riser | | 7033-207 | |
| 15.2 | Pedestal Base | | 7033-163 | |
| 15.3 | Strip, Oak Trim | Pkg of 2 | 832-0560 | |
| #16 Baffle Protection channel | | | | |
| 16 | Baffle Protection channel | | SRV7033-298 | |

Additional service part numbers appear on following page.



IMPORTANT: THIS IS DATED INFORMATION. When requesting service or replacement parts for your appliance please provide model number and serial number. All parts listed in this manual may be ordered from an authorized dealer.



Stocked at Depot

| ITEM | DESCRIPTION | COMMENTS | PART NUMBER | |
|-------|------------------------------------------------------------------------------------------------|--------------------|-------------|---|
| 17.1 | Door Assembly | Black | 832-1092 | |
| | | Gold Trim | 832-1912 | |
| | | Nickel Trim | DR-31/43NL | |
| 17.2 | Hinge Pins, 1/2" | Gold (Pkg of 2) | 832-0250 | |
| | | Nickel (Qty 2 req) | 430-5320 | |
| | | Black (Pkg of 2) | 7000-606/2 | |
| 17.3 | Door Handle Only | | 430-1131 | |
| 17.4 | Spring Handle, Door 1/2" | Gold | 832-0620 | Y |
| | | Nickel | 250-8330 | Y |
| | | Black | SRV7000-613 | Y |
| 17.5 | Trim, Ring, Door | Gold | 430-2682 | |
| | | Nickel | 430-5340 | |
| 17.6 | Door Glass Assembly - 15-1/2 in. W x 13-3/8 in H | | 7000-012 | Y |
| 17.7 | Glass Frame Set | 4 Pieces | 832-0350 | |
| 17.8 | Cam Latch | | 430-1141 | |
| 17.9 | Key, Cam Latch | | 430-1151 | |
| 17.10 | Nut, Locking Door Handle | Pkg of 24 | 226-0100/24 | Y |
| | Component Pack (Includes Spring Handles (1) 1/2" & (2) 1/4", (2) Hinge Pins, Quadra-Fire Logo) | Gold Trim Doors | 436-5350 | |
| | | Nickel Trim Doors | 436-5360 | |
| | Gasket, Glass Tape - Field Cut to Size | 5 Ft | 832-0460 | Y |
| | Rope, Door, 3/4" X 84" - Field Cut to Size | 7 Ft | 832-1680 | Y |
| | Screw, Flat Head Philips 8-32 X 1/2 | Pkg of 10 | 832-0860 | Y |
| | Washer, Sae, 3/8 | Pkg of 3 | 832-0990 | Y |

Additional service part numbers appear on following page.

IMPORTANT: THIS IS DATED INFORMATION. When requesting service or replacement parts for your appliance please provide model number and serial number. All parts listed in this manual may be ordered from an authorized dealer.



**Stocked
at Depot**

| ITEM | DESCRIPTION | COMMENTS | PART NUMBER | |
|--------------------|---------------------------------------------------------------------------------------------------------------------------------|--------------------|---------------|---|
| | Blower, Convection - Replacement Blower | | 812-4900 | Y |
| | Hinge Pins, 1/2", Gold | Pre SN 0071959142 | 832-0250 | |
| | Hinge Pins, 1/2", Nickel | | 430-5320 | |
| | Hinge Pins, 1/2", Black | Post SN 0071959142 | 7000-606/2 | |
| | Logo, Quadra-Fire | Gold | 200-3180 | |
| | | Nickel | 200-3240 | |
| | Spring Handle, 1/2", Gold | Pre SN 0071959142 | 832-0620 | Y |
| | Spring Handle, 1/2", Nickel | | 250-8330 | Y |
| | Spring Handle, 1/2", Black | Post SN 0071959142 | SRV7000-613 | Y |
| | Spring Handle, 1/4", Gold | Pre SN 0071959142 | 832-0630 | Y |
| | Spring Handle, 1/4", Nickel | | 250-8340 | Y |
| | Spring Handle, 1/4", Black | Post SN 0071959142 | SRV7000-614 | Y |
| | Component Pack (Includes Touch-Up Paint, Spring Handles (1) 1/2" and (2) 1/4", Trimount Plug, Owners Manual and Warranty Card). | Black & Gold Trim | 7033-027 | |
| | | Nickel Trim | 7033-029 | |
| | Paint Touch-Up | | 812-0910 | |
| | Plug, Trimount, .250" | Pkg of 24 | 229-0880/24 | Y |
| | Door Handle Assembly | | 832-0540 | Y |
| | Upgrade, Door, Nickel | | UK-DRNL | |
| | Gasket, Manifold | Pkg of 4 | 7038-168/4 | Y |
| ACCESSORIES | | | | |
| | Blower Assembly | | BK-ACC | |
| | Blower Control Box w/Switch | | SRV7000-194 | Y |
| | Component Pack | | 7033-051 | |
| | Snap Disc Bracket Assembly | | SRV7033-036 | |
| | Snap Disc, # 1, Convection Blower | | SRV230-0470 | Y |
| | Wire Harness, Blower | | 7033-262 | |
| | Outside Air Kit, Floor & Rear | | OAK-ACC | |
| | Outside Air Collar Assembly | | 7033-039 | |
| | Outside Air Shield | | 33271 | Y |
| | Outside Air Cover Plate Assembly | | SRV7033-041 | Y |
| FASTENERS | | | | |
| | Avk Rivnut Repair Kit - 1/4-20 & 3/8-16 Rivnut Tools | | RIVNUT-REPAIR | Y |
| | Bolt, Hex Head, 1/4-20 x 1 | Pkg of 10 | 25221A/10 | Y |
| | Button Head 1/4-20 x .5 | Pkg of 20 | 32328/20 | Y |
| | Nut, Keps Lock, 10-32 | Pkg of 40 | 226-0050/40 | Y |
| | Nut, Keps Lock, 8-32 | Pkg of 40 | 226-0060/40 | Y |
| | Nut, Ser Flange Small 1/4-20 | Pkg of 24 | 226-0130/24 | Y |
| | Screw, Sheet Metal #8 x 1/2 S-Grip | Pkg of 40 | 12460/40 | Y |
| | Washer, 1/4 Sae | Pkg of 24 | 28758/24 | Y |