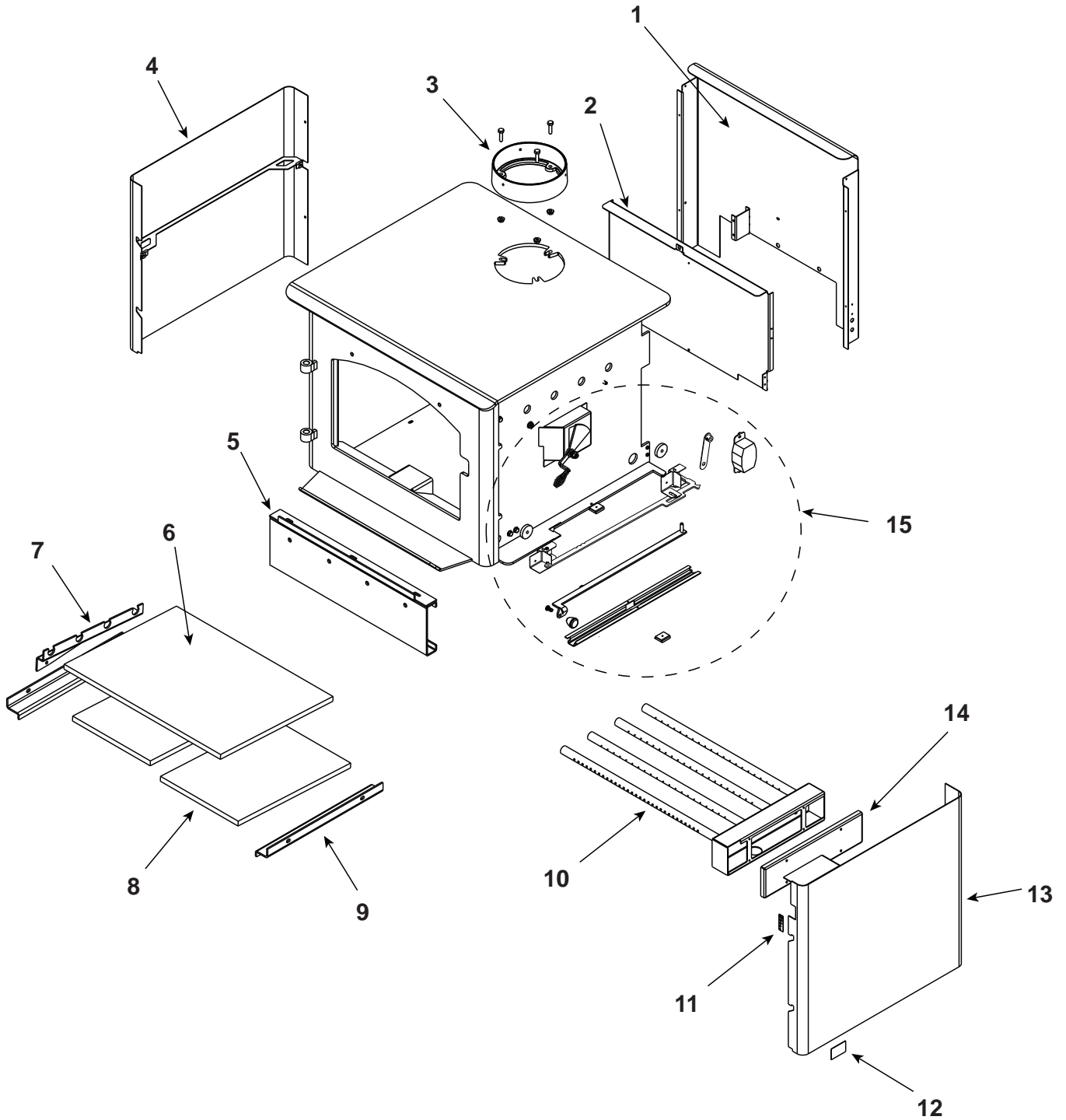


43M-ACC-GT Oct. 2006 - Jan. 2007, 43M-ACC-NT Oct. 2006 - Jan. 2007



Part number list on following page.

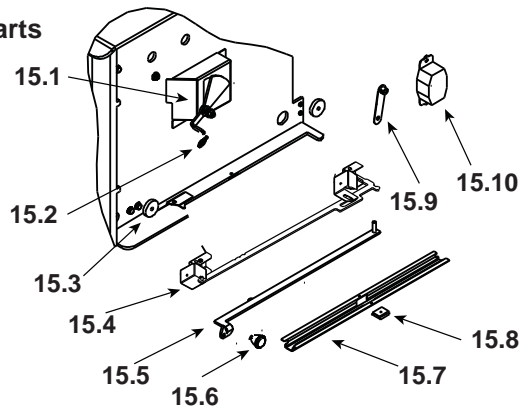
IMPORTANT: THIS IS DATED INFORMATION. When requesting service or replacement parts for your appliance please provide model number and serial number. All parts listed in this manual may be ordered from an authorized dealer.



**Stocked  
at Depot**

ITEM	DESCRIPTION	COMMENTS	PART NUMBER	
1	Air Channel, Convection w/Bracket - <b>Retain original serial # label</b>		SRV7033-144	
2	Air Supply Back		SRV7033-134	
3	Flue Collar		SRV7000-302	Y
4	Panel Assembly, Side, Left		7037-007	
5	Rear Air Channel Assembly		7033-002	Y
6	Ceramic Fiber Blanket, 1/2 " Thick	15 1/2" x 19 1/2"	832-3390	Y
7	Tube Support Rack		7033-148	
8	Baffle Fiber Board - 9-1/2" W x 15-3/4" H	Qty: 2	SRV7037-112	Y
9	Brick Retainer		7033-149	
10	Tube, Channel Assembly	Manifold Tubes	SRV7033-023	Y
11	Label, Burn Rate Air Control		7033-160	
12	Label, Start-Up Air Control, Acc		7033-166	
13	Panel Assembly, Right Side		7037-006	
14	Tube Channel Access Cover (Top)		SRV7033-237	

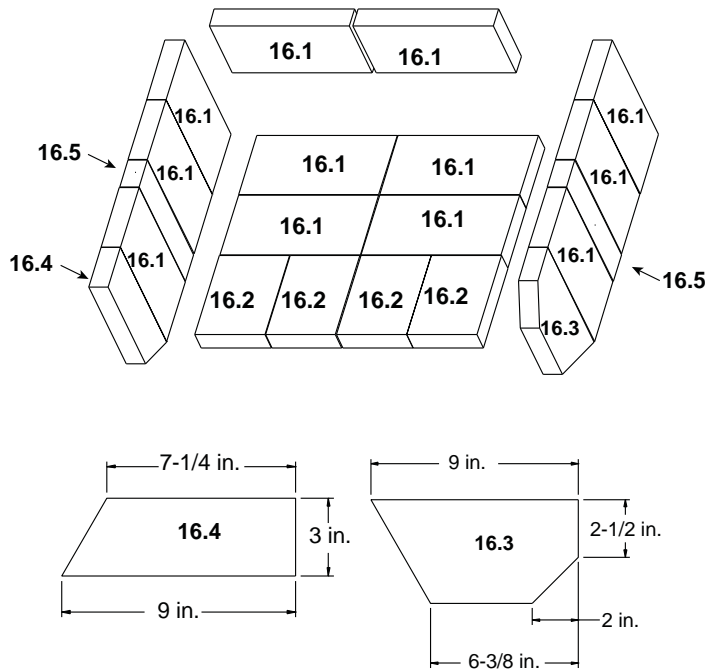
### #15 Burn Rate Control & Associated Parts



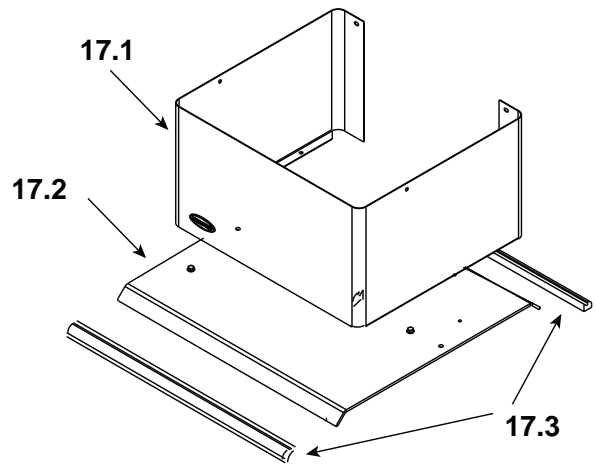
15.1	Burn Rate Control Assembly		7037-004	Y
15.2	Spring Handle, 1/4", Gold	Pre SN 0070030424	832-0630	Y
	Spring Handle, 1/4", Nickel		250-8340	Y
	Spring Handle, 1/4", Black	Post SN 0070030424	SRV7000-614	Y
15.3	Door Gasket - Front & Rear Air Timer Doors		7033-282	Y
15.4	Timer Air Control Assembly		SRV7037-018	Y
	Rear Air Door Assembly		7037-013	Y
15.5	Rear Air Control Arm Assembly		7037-005	Y
15.6	Knob - Start-Up Control Knob		7000-343	
15.7	Air Control Rod Guide		7033-210	
15.8	Latch, Magnet - For Air Control		229-0631	
15.9	Timer Arm Assembly		7033-034	Y
15.10	Timer (Only) Replacement Assembly		SRV480-1940	Y

Additional service part numbers appear on following page.

**#16 Brick Set Assembly**



**#17 Pedestal Assembly**



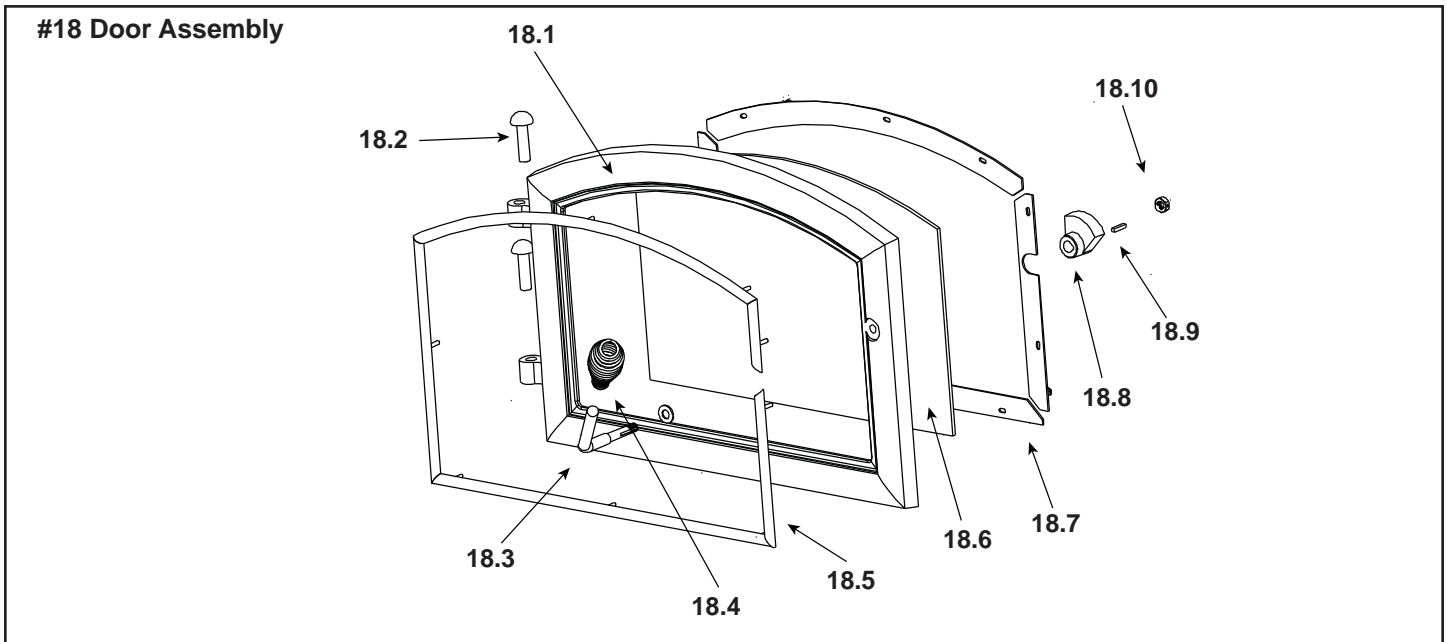
IMPORTANT: THIS IS DATED INFORMATION. When requesting service or replacement parts for your appliance please provide model number and serial number. All parts listed in this manual may be ordered from an authorized dealer.



**Stocked at Depot**

ITEM	DESCRIPTION	COMMENTS	PART NUMBER	
16	Brick Assembly, Complete Set	Pkg of 20	SRV7037-003	
16.1	Brick, 9 x 4.5 x 1.25"	Qty. 12 Reg.		
16.2	Brick, 6 x 4.5"	Qty. 4 Reg.		
16.3	Brick, 9 x 4.5" with angle	Qty. 1 Reg.		
16.4	Brick, 9 x 3" with angle	Qty. 1 Reg.		
16.5	Brick, small	Qty. 2 Reg.		
	Brick, Uncut	Pkg of 1	832-0550	
		Pkg of 6	832-3040	
<b>#17 Pedestal Assembly</b>				
17.1	Pedestal Riser		7033-207	
17.2	Pedestal Base		7033-163	
17.3	Strip, Oak Trim	Qty: 2 Req.	832-0560	

Additional service part numbers appear on following page.



**IMPORTANT: THIS IS DATED INFORMATION.** When requesting service or replacement parts for your appliance please provide model number and serial number. All parts listed in this manual may be ordered from an authorized dealer.



**Stocked  
at Depot**

ITEM	DESCRIPTION	COMMENTS	PART NUMBER	
18	Door Assembly	Black	832-1092	
		Gold Trim	832-1912	
		Nickel Trim	DR-31/43NL	
18.2	Hinge Pins, 1/2", Gold	Pre SN 0070030424	832-0250	
	Hinge Pins, 1/2", Nickel		430-5320	
	Hinge Pins, 1/2", Black	Post SN 0070030424	7000-606/2	
18.3	Door Handle Rod Only		430-1131	
18.4	Spring Handle, 1/2", Gold	Pre SN 0070030424	832-0620	Y
	Spring Handle, 1/2", Nickel		250-8330	Y
	Spring Handle, 1/2", Black	Post SN 0070030424	SRV7000-613	Y
18.5	Trim Ring, For Door (Trim door assembly only)	Gold Trim	430-2682	
		Nickel Trim	430-5340	
18.6	Door Glass Assembly - 15-1/2" W x 13-3/8" H		7000-012	Y
18.7	Glass Frame Set	Qty: 4 Pc	832-0350	
18.8	Cam Latch		430-1141	
18.9	Key, Cam Latch		430-1151	
18.10	Nut, Locking Door Handle	Pkg of 24	226-0100/24	Y
	Gasket, Glass Tape - Field cut to Size	Qty. 5 Ft. Req.	832-0460	Y
	Rope, Door, 3/4" x 84" - Field cut to Size	Qty. 7 Ft. Req.	832-1680	Y
	Component Pack (Spring Handles (1) 1/2" & (2) 1/4", (2) Gold Hinge Pins, Quadra-Fire Logo)	Black & Gold Doors	436-5350	
		Nickel doors	436-5360	
	Upgrade, Door, Nickel - Nickel Handles, Hinge Pins & Logo		UK-DRNL	

Additional service part numbers appear on following page.

IMPORTANT: THIS IS DATED INFORMATION. When requesting service or replacement parts for your appliance please provide model number and serial number. All parts listed in this manual may be ordered from an authorized dealer.



**Stocked  
at Depot**

ITEM	DESCRIPTION	COMMENTS	PART NUMBER	
<p><b>#19 Baffle Protection Channel</b></p> <p style="text-align: center;"><b>Side view</b></p> <p>Front, looking into unit</p> <p>Ceramic blanket</p> <p>Fiber baffle</p> <p>Baffle protection Channel sits In between Front tube and Fiber baffle.</p> <p>This tab sits behind the front tube.</p>				
19	Baffle Protection Channel		SRV7033-298	
	Blower Assembly		BK-ACC	
	Blower Control Box W/Switch		SRV7000-194	Y
	Component Pack		7033-051	
	Snap Disc Bracket Assembly		7033-036	
	Snap Disc, # 1, Convection Blower		SRV230-0470	Y
	Wire Harness (Blower)		7033-262	
	Component Pack (Includes Touch-Up Paint, Spring Handles (1) 1/2 Inch & (2) 1/4 Inch, Trimount Plug, Owners Manual, Warranty Card)	Black & gold	7037-014	
		Nickel	7037-015	
	Blower, Convection - Replacement Blower		812-4900	Y
	Gasket, Manifold	Pkg of 4	7038-168/4	Y
	Logo, Quadra-Fire	Gold	200-3180	
		Nickel	200-3240	
	Paint Touch-Up	Black	812-0910	
	Outside Air Kit, Floor & Rear		OAK-ACC	
	Outside Air Collar Assembly		7033-039	
	Outside Air Shield		33271	Y
<b>FASTENERS</b>				
	Avk Rivnut Repair Kit - 1/4-20 & 3/8-16 Rivnut Tools		RIVNUT-REPAIR	Y
	Bolt, Hex Head, 1/4-20 X 1	Pkg of 10	25221A/10	Y
	Button Head 1/4-20 X .5	Pkg of 20	32328/20	Y
	Nut, Keps Lock, 10-32	Pkg of 40	226-0050/40	Y
	Nut, Keps Lock, 8-32	Pkg of 40	226-0060/40	Y
	Nut, Ser Flange Small 1/4-20	Pkg of 24	226-0130/24	Y
	Plug, Trimount, .250"	Pkg of 24	229-0880/24	Y
	Screw, Sheet Metal #8 X 1/2 S-Grip	Pkg of 40	12460/40	Y
	Screw, Flat Head Philips 8-32 x 1/2	Pkg of 10	832-0860	Y
	Washer, Sae, 3/8	Pkg of 3 ea.	832-0990	Y
	Washer, 1/4 Sae	Pkg of 24	28758/24	Y