

Part number list on following page.

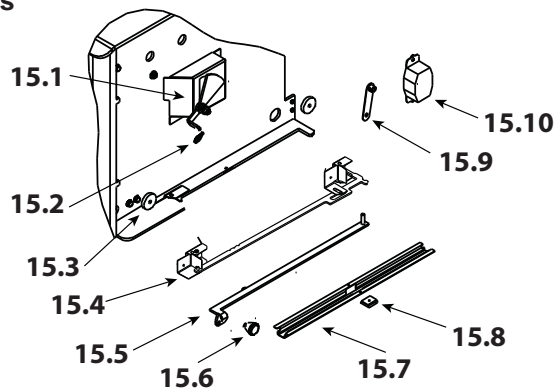
IMPORTANT: THIS IS DATED INFORMATION. When requesting service or replacement parts for your appliance please provide model number and serial number. All parts listed in this manual may be ordered from an authorized dealer.



Stocked
at Depot

ITEM	DESCRIPTION	COMMENTS	PART NUMBER	
1	Air Supply Back		SRV7033-134	
2	Air Channel, Convection w/Bracket - Retain original serial # label		SRV7033-144	
3	Panel Assembly, Side, Left		7037-011	
4	Grate (Ash Pan Removal System)		SRV7038-196	
5	Tube Support Rack		7033-148	
6	Brick Retainer		7033-149	
7	Ceramic Fiber Blanket, 1/2 " Thick		832-3390	Y
8	Baffle Board - 9-1/2" W x 15-3/4" H	Qty: 2	SRV7037-112	Y
9	Rear Channel Assembly		7033-002	Y
10	Label, Burn Rate		7033-160	
11	Panel Assembly, Side, Right		7037-010	
12	Label, Start-Up, Acc		7033-166	
13	Tube Channel Top - Access Cover		SRV7033-237	
14	Tube, Channel Assembly	Manifold Tubes	SRV7033-023	Y

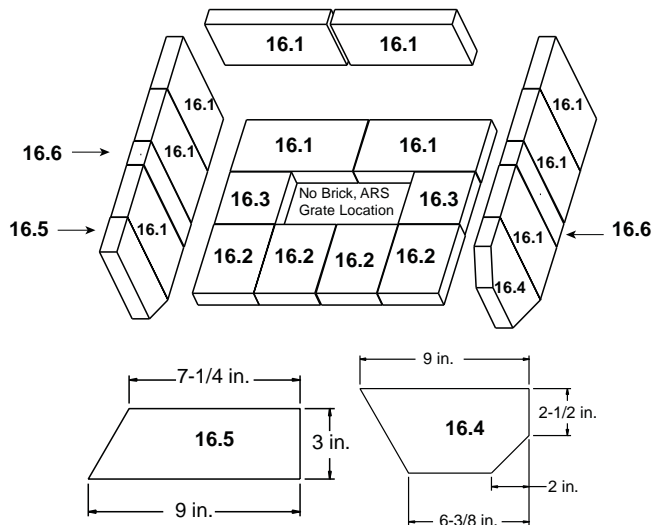
#15 Burn Rate Controls & Associated Parts



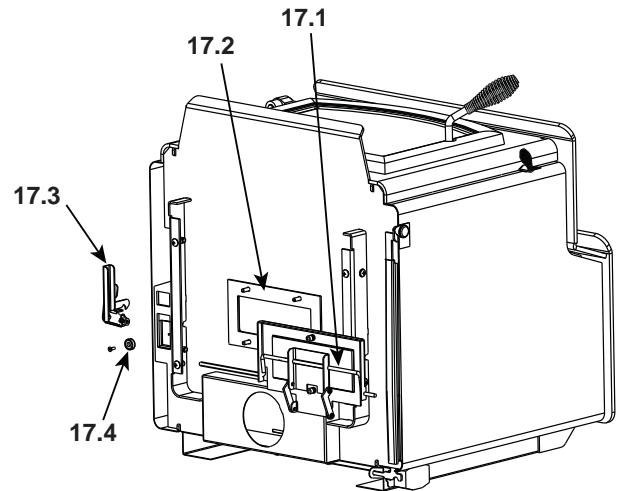
15.1	Burn Rate Control Assembly		7037-004	Y
15.2	Spring Handle, 1/4"	Gold	832-0630	Y
		Nickel	250-8340	Y
15.3	Door Gasket - Front & Rear Air Timer Doors		7033-282	Y
15.4	Timer Air Control Assembly		SRV7037-018	Y
	Rear Air Door Assembly		7037-013	Y
15.5	Rear Air Control Arm Assembly		7037-005	Y
15.6	Knob - Start-Up Control Knob		7000-343	
15.7	Air Control Rod Guide		7033-210	
15.8	Latch, Magnet - For Air Control		229-0631	
15.9	Timer Arm Assembly		7033-034	Y
15.10	Timer (Only) Replacement Assembly		SRV480-1940	Y

Additional service part numbers appear on following page.

#16 Brick Assembly Set



#17 Door Assembly (Ash Pan Removal System)



IMPORTANT: THIS IS DATED INFORMATION. When requesting service or replacement parts for your appliance please provide model number and serial number. All parts listed in this manual may be ordered from an authorized dealer.

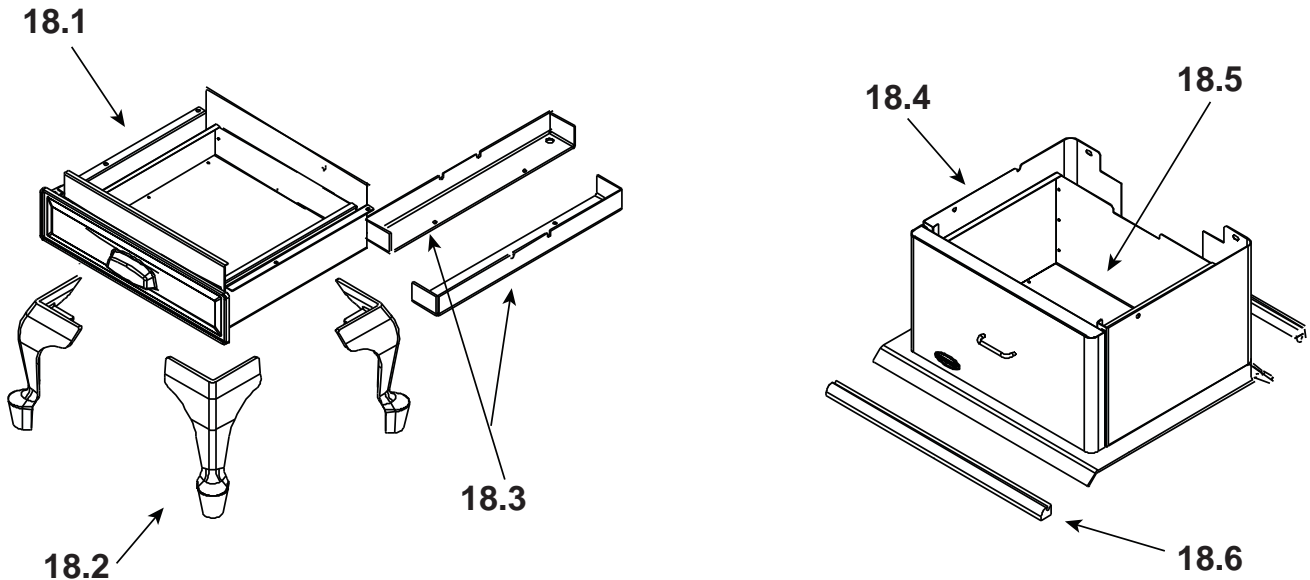


Stocked at Depot

ITEM	DESCRIPTION	COMMENTS	PART NUMBER	
16	Brick Assembly, Complete Set	Pkg of 20	SRV7037-012	
16.1	Brick, 9 x 4.5 x 1.25"	Qty. 10 Reg.		
16.2	Brick, 6 x 4.5"	Qty. 4 Reg.		
16.3	Brick, 9 x 4.5" with angle	Qty. 1 Reg.		
16.4	Brick, 4.5 x 4.5 x 4.25"	Qty. 2 Reg.		
16.5	Brick, 9 x 3" with angle	Qty. 1 Reg.		
16.6	Brick, small	Qty. 2 Reg.		
	Brick, Uncut	Pkg of 1	832-0550	
		Pkg of 6	832-3040	
#17 Ash Pan removal System				
17.1	Door Assembly (ARS - Ash Pan Removal System)		SRV7033-015	Y
17.2	Gasket		SRV7033-296	Y
17.3	Latch, Handle Assembly		SRV7033-047	Y
17.4	Magnet Round		7000-552	

Additional service part numbers appear on following page.

#18 Leg, Ash Pan and Pedestal Assembly



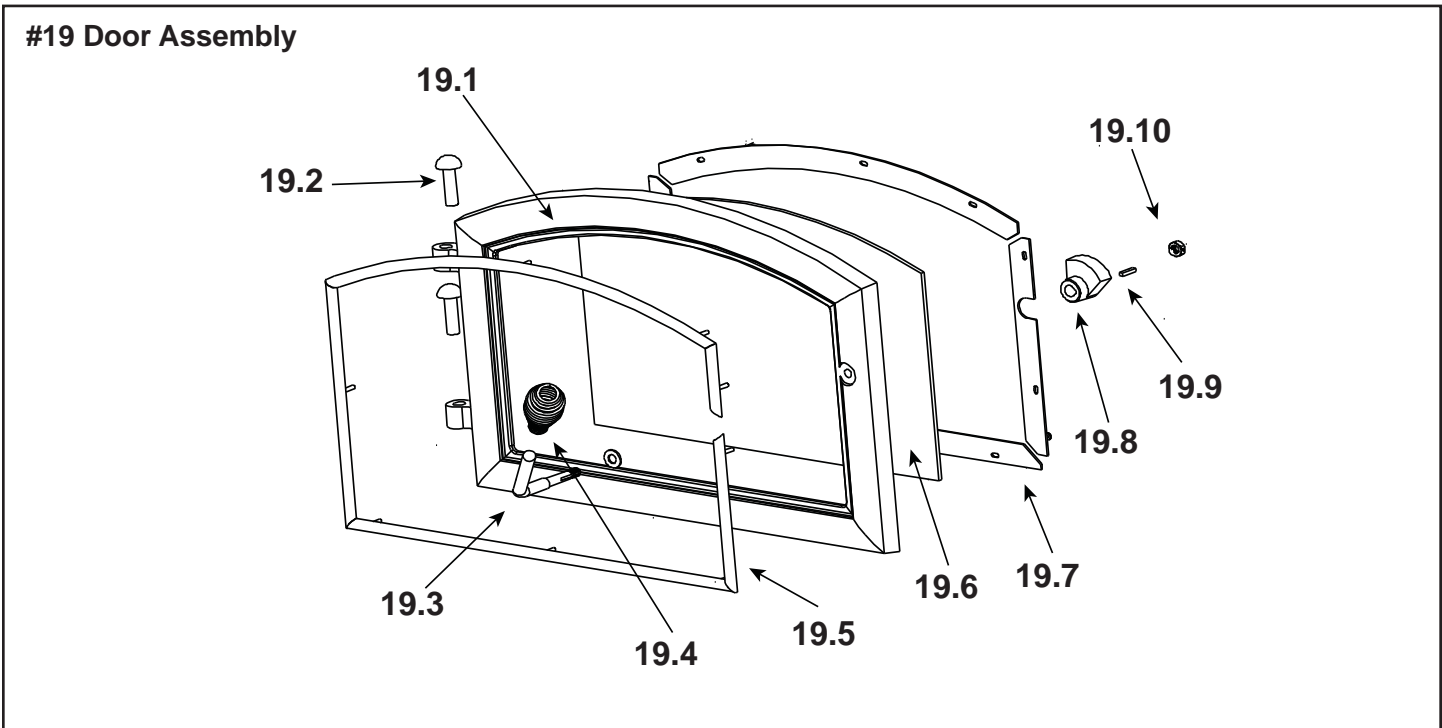
IMPORTANT: THIS IS DATED INFORMATION. When requesting service or replacement parts for your appliance please provide model number and serial number. All parts listed in this manual may be ordered from an authorized dealer.



**Stocked
at Depot**

ITEM	DESCRIPTION	COMMENTS	PART NUMBER	
	Leg Kit & Ash Removal System	Black	LEG-3143-BK	
		Gold	LEG-3143-GD	
		Nickel	LEG-3143-NL	
18	Ash Pan Assembly		7033-008	
18	Legs, Queen Anne	Black	831-1240	
		Gold	831-1250	
		Nickel	LEGS-QANL	
18	Leg Mount Kit		SRV7037-132	
	Ash Pan Leg (ARS - Ash Pan Removal System)		7033-050	
	Component Pack, Leg Step Top (Includes Gasket For Ash Removal, Magnet & Fasteners)		7033-048	
	Pedestal		PED-3143	
18	Pedestal Assembly		7033-013	
19	Ash Pan Assembly		7033-010	
	Ash Pan Door Handle		7033-274	
	Outside Air Cover Plate Assembly		SRV7033-041	Y
	Component Pack, Pedestal, Leg Step Top (Includes Gasket For Ash Removal, Magnet & Fasteners)		7033-045	
19	Strip, Oak Trim	Qty: 2 Req.	832-0560	

Additional service part numbers appear on following page.



IMPORTANT: THIS IS DATED INFORMATION. When requesting service or replacement parts for your appliance please provide model number and serial number. All parts listed in this manual may be ordered from an authorized dealer.



Stocked at Depot

ITEM	DESCRIPTION	COMMENTS	PART NUMBER	
19.1	Door Assembly	Black	832-1092	
		Gold Trim	832-1912	
		Nickel Trim	DR-31/43NL	
19.2	Hinge Pins, 1/2"	Qty: 2 Gold	832-0250	
		Qty: 2 Nickel	430-5320	
19.3	Door Handle Rod Only		430-1131	
19.4	Spring Handle, 1/2"	Gold	832-0620	Y
		Nickel	250-8330	Y
19.5	Trim Ring, For Door (Trim door assembly only)	Gold Trim	430-2682	
		Nickel Trim	430-5340	
19.6	Door Glass Assembly - 15-1/2" W x 13-3/8" H		7000-012	Y
19.7	Glass Frame Set	Qty: 4 Pc	832-0350	
19.8	Cam Latch		430-1141	
19.9	Key, Cam Latch		430-1151	
19.10	Nut, Locking Door Handle	Pkg of 24	226-0100/24	Y
	Gasket, Glass Tape - Field cut to Size	5 Ft Length	832-0460	Y
	Rope, Door, 3/4" x 84" - Field cut to Size	7 Ft Length	832-1680	Y
	Component Pack (Spring Handles (1) 1/2" & (2) 1/4", (2) Gold Hinge Pins, Quadra-Fire Logo)	Black & Gold Doors	436-5350	
		Nickel Door	436-5360	

Additional service part numbers appear on following page.

IMPORTANT: THIS IS DATED INFORMATION. When requesting service or replacement parts for your appliance please provide model number and serial number. All parts listed in this manual may be ordered from an authorized dealer.



**Stocked
at Depot**

ITEM	DESCRIPTION	COMMENTS	PART NUMBER	
<p>Baffle Protection Channel</p> <div style="display: flex; align-items: center; justify-content: center;"> <div style="margin-right: 20px;"> <p>Side view</p> </div> </div>				
20	Baffle Protection Channel		SRV7033-298	
	Blower, Convection - Replacement Blower		812-4900	Y
	Component Pack (Touch-Up paint, owners manual, warranty card) Spring handles in door assembly.		7037-017	
	Blower Assembly		BK-ACC	
	Blower Control Box W/Switch		SRV7000-194	Y
	Channel, Ash Removal		7033-172	
	Component Pack		7033-051	
	Door Handle Assembly		832-0540	Y
	Gasket, Manifold	Pkg of 4	7038-168/4	Y
	Logo, Quadra-Fire	Gold	200-3180	
		Nickel	200-3240	
	Outside Air Collar Assembly		7033-039	
	Outside Air Kit, Floor & Rear		OAK-ACC	
	Outside Air Shield		33271	Y
	Paint Touch-Up		812-0910	
	Snap Disc Bracket Assembly		7033-036	
	Snap Disc, # 1, Convection Blower		SRV230-0470	Y
	Upgrade, Door, Nickel - Nickel Handles, Hinge Pins & Logo		UK-DRNL	
	Wire Harness (Blower)		7033-262	
FASTENERS				
	Avk Rivnut Repair Kit - 1/4-20 & 3/8-16 Rivnut Tools		RIVNUT-REPAIR	Y
	Bolt, Hex Head, 1/4-20 X 1	Pkg of 10	25221A/10	Y
	Button Head 1/4-20 X .5	Pkg of 20	32328/20	Y
	Nut, Keps Lock, 10-32	Pkg of 40	226-0050/40	Y
	Nut, Keps Lock, 8-32	Pkg of 40	226-0060/40	Y
	Nut, Ser Flange Small 1/4-20	Pkg of 24	226-0130/24	Y
	Plug, Trimount, .250"	Pkg of 24	229-0880/24	Y
	Screw, Sheet Metal #8 X 1/2 S-Grip	Pkg of 40	12460/40	Y
	Screw, Flat Head Philips 8-32 x 1/2	Pkg of 10	832-0860	Y
	Washer, Sae, 3/8	Pkg of 3 ea.	832-0990	Y
	Washer, 1/4 Sae	Pkg of 24	28758/24	Y