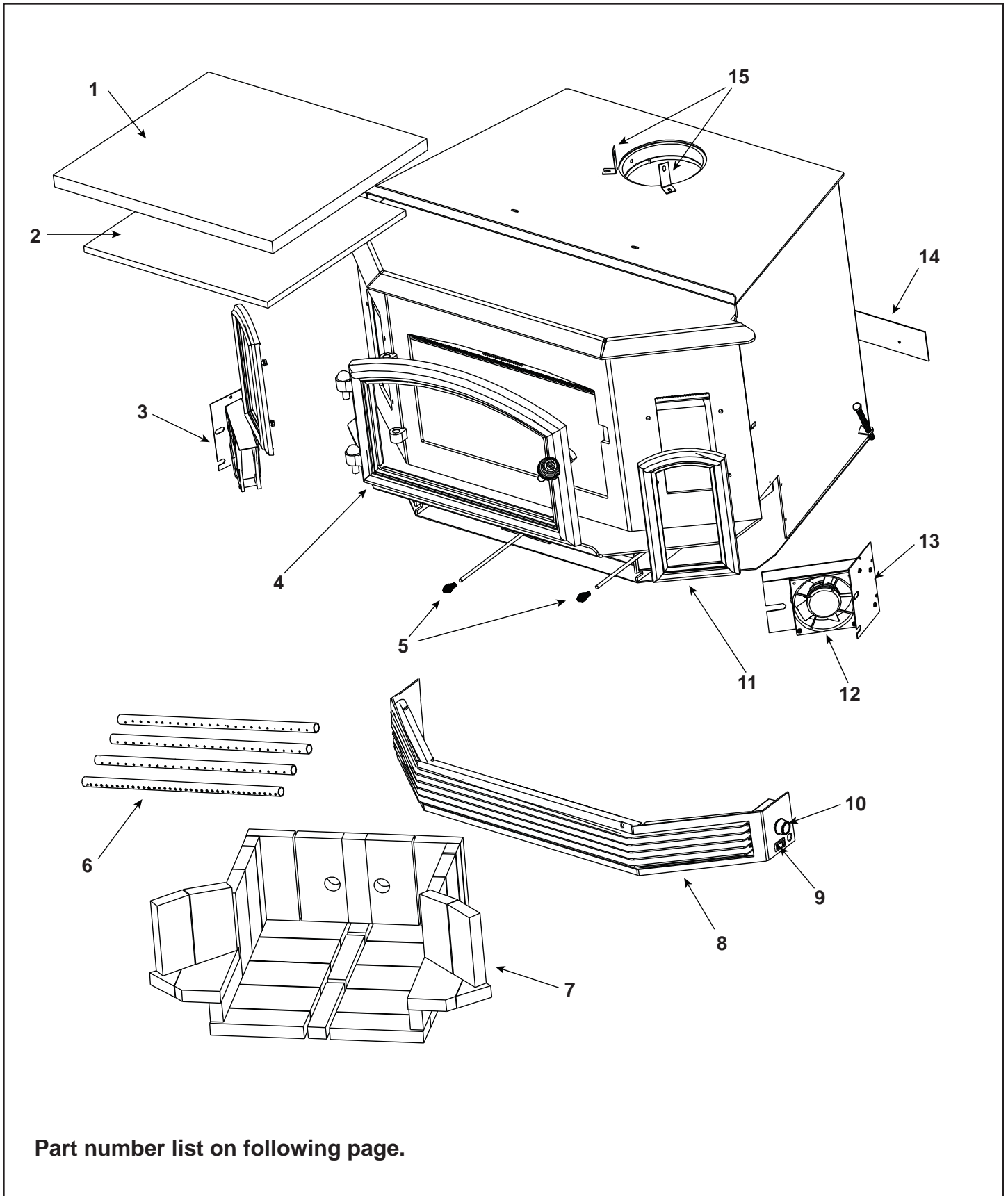


## 5100i-GD-B, 5100i-NL-B



Part number list on following page.

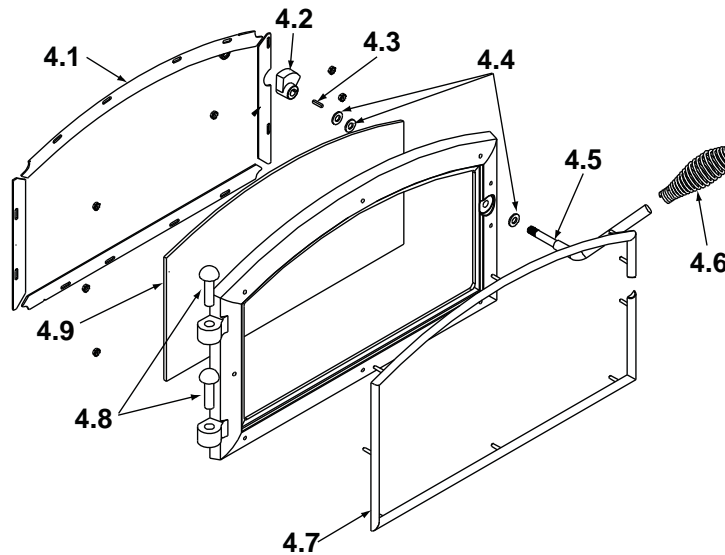
IMPORTANT: THIS IS DATED INFORMATION. When requesting service or replacement parts for your appliance please provide model number and serial number. All parts listed in this manual may be ordered from an authorized dealer.



**Stocked  
at Depot**

ITEM	DESCRIPTION	COMMENTS	PART NUMBER	
1	Ceramic Fiber Blanket, 1/2 " Thick		832-3390	Y
2	Baffle Fiberboard		SRV438-0320	Y
3	Mount, Blower, Left		SRV430-1184	

### #4 Door assembly



4	Door Assembly	Black	DR-27BK	
		Gold	DR-27GD	
		Nickel	DR-27NL	
4.1	Glass Frame Set	Qty: 4 Pc		Y
4.2	Cam Latch, Door Handle		430-1141	
4.3	Key, Cam Latch, Door handle		430-1151	
4.4	Washer, Sae, 3/8 (Door Handle)	Pkg of 3	832-0990	Y
4.5	Door Handle only		430-1131	
4.6	Spring Handle, 1/2"	Gold	832-0620	Y
		Nickel	250-8330	Y
4.7	Trim Ring only, Door	Gold Trim	430-2702	
		Nickel Trim	430-5350	
4.8	Hinge Pins, 1/2" (Qty. 2 Req.)	Gold	832-0250	
		Nickel	430-5320	
4.9	Door Glass Assembly		7000-011	Y
	Gasket, Glass Tape - Dealer Cut to Size	5 Ft	832-0460	Y
	Nut, Keps Lock, 8-32	Pkg of 40	226-0060/40	Y
	Nut, Locking, Door Handle	Pkg of 24	226-0100/24	Y
	Rope, Door, 3/4" x 84", Dealer Cut to Size	7 Ft	832-1680	Y
	Door Handle Assembly		832-0540	Y

Additional service part numbers appear on following page.

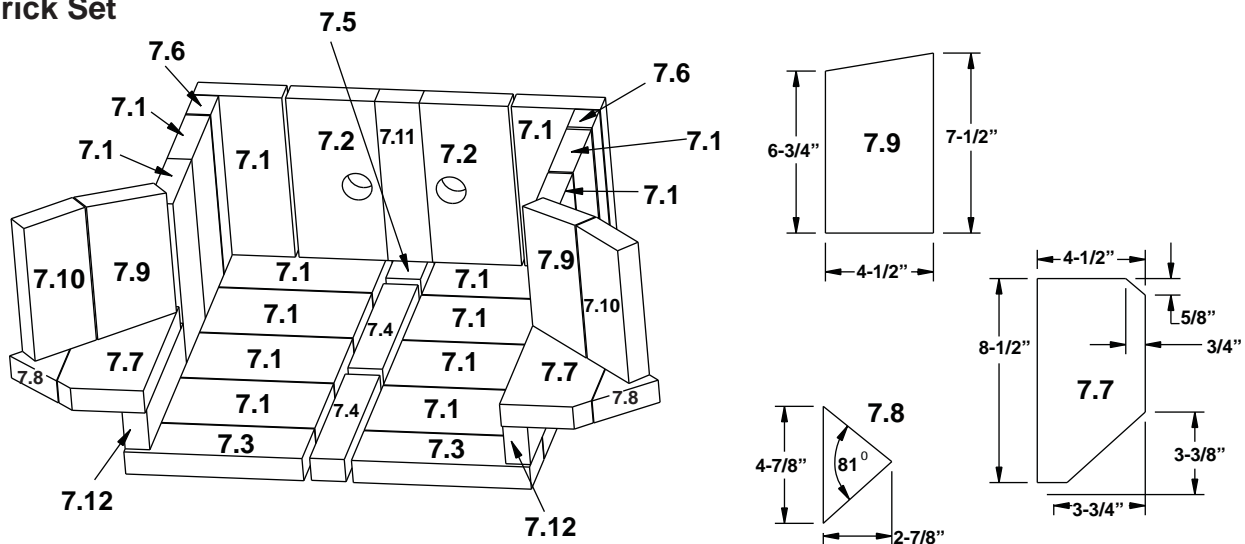
IMPORTANT: THIS IS DATED INFORMATION. When requesting service or replacement parts for your appliance please provide model number and serial number. All parts listed in this manual may be ordered from an authorized dealer.



**Stocked  
at Depot**

ITEM	DESCRIPTION	COMMENTS	PART NUMBER	
5	Spring Handle, Air Control, 1/4"	Gold (2)	832-0630	Y
		Nickel (1)	250-8340	Y
6	Manifold Tube Set		TUBES-438	Y
	Manifold Clip/Screws	Pkg of 4	832-0661	Y

### #7 Brick Set



7	Brick Assembly - Complete Set	Pkg of 34	BRICK-438	Y
7.1	Brick, 9 x 4.5 x 1.25"	Qty. 14 Req.		
7.2	Brick, 9 x 4.5 x 1.25" with hole	Qty. 2 Req.	SRV436-0380	Y
7.3	Brick, 9 x 3 x 1.25"	Qty. 2 Req.		
7.4	Brick, 8.5 x 1.75 x 1.25"	Qty. 2 Req.		
7.5	Brick, 3 x 1.75 x 1.25"	Qty. 1 Req.		
7.6	Brick, 9 x 2 x 1.25"	Qty. 2 Req.		
7.7	Brick, see diagram above	Qty. 2 Req.		
7.8	Brick, see diagram above	Qty. 2 Req.		
7.9	Brick, see diagram above	Qty. 2 Req.		
7.10	Brick, 7.5 x 3.5 x 1.25"	Qty. 2 Req.		
7.11	Brick, 9 x 2.25 x 1.25"	Qty. 1 Req.		
7.12	Brick, 8.75 x 2.25 x 1.25"	Qty. 2 Req.		
	Brick, Uncut	Qty. 1	832-0550	
		Qty: 6	832-3040	
8	Grill Assembly, Complete Set	Gold	832-3100	
		Nickel	832-3100NL	
9	Switch, Rocker		230-0730	Y

Additional service part numbers appear on following page.

Beginning Manufacturing Date: Dec. 2004  
Ending Manufacturing Date: June 2011

IMPORTANT: THIS IS DATED INFORMATION. When requesting service or replacement parts for your appliance please provide model number and serial number. All parts listed in this manual may be ordered from an authorized dealer.



**Stocked  
at Depot**

ITEM	DESCRIPTION	COMMENTS	PART NUMBER	
10	Knob, Speed Control	Knob Only	200-2041	Y
	Blower Cord Only		832-2410	Y
	Grill Panel Assembly	Frame Only	SRV438-5610	
	Louver Assembly Only	Gold	438-5480	
		Nickel	438-5530	
	Louver, Single	Black	430-3770	
		Gold	430-3830	
		Nickel	430-5460	
	Nut, Keps Lock, 8-32	Pkg of 40	226-0060/40	Y
	Screw, Pan Head Philips 8-32 X 3/8	Pkg of 40	225-0500/40	Y
	Screw, Sheet Metal #8 X 1/2 S-Grip	Pkg of 40	12460/40	Y
	Snap Disc, Ceramic		SRV230-0960	Y
	Speed Control Only (Rheostat)		842-0370	Y
	Wire Harness		832-3270	Y
11	Window Assembly, Side - Glass, Trim & Frame	Gold Trim	438-5440	
		Nickel Trim	438-5560	
	Bolt, Window Frame	Pkg of 4	812-2350	Y
	Glass, Window, Lt/Rt Interchangeable	Qty: 1 pc	832-2000	Y
	Nut, Keps Lock, 8-32	Pkg of 40	226-0060/40	Y
	Trim Ring, Window	Gold	430-2721	
		Nickel	430-5360	
12	Blower, Rodale, Lt/Rt Interchangeable	Qty: 1 pc	832-3190	
13	Mount, Blower, Right		SRV430-1194	
14	Outside Air Cover Plate		430-2480	
15	Flue Tab		438-0010	
	Component Pack (Includes Owners Manual, Warranty Card, Touch-Up Paint, Spring Handle 1/2", (2) 1/4" Spring Handles, 2 Leveling Bolts, 2 Consumer Cards, Epa & Sales Efficiency Cards, "If Fireplace Altered" Label)	For Gold Trim Units	438-5510	
		For Nickel Trim Units	438-5570	
	Spring Handle, 1/2"	Gold	832-0620	Y
		Nickel	250-8330	Y
	Spring Handle, 1/4"	Gold	832-0630	Y
		Nickel	250-8340	Y
	Paint Touch-Up		812-0910	
	Rear Channel, Outside Air Kit		436-7020	
	Upgrade, Door, Nickel - Spring Handles, Hinge Pins & Logo		UK-DRNL	

Additional service part numbers appear on following page.

