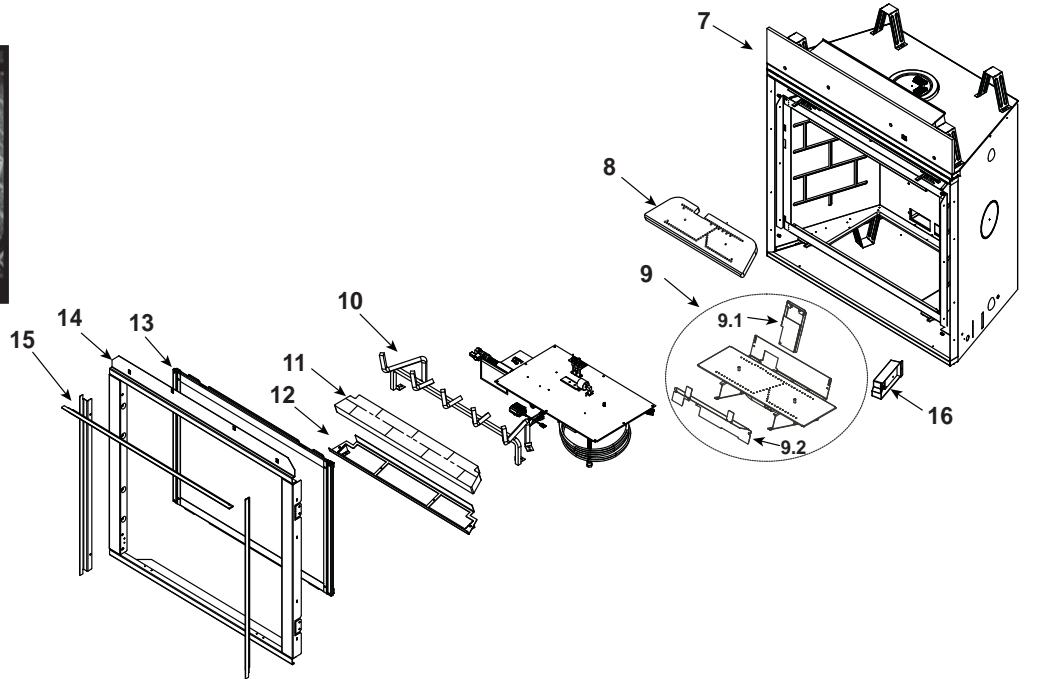
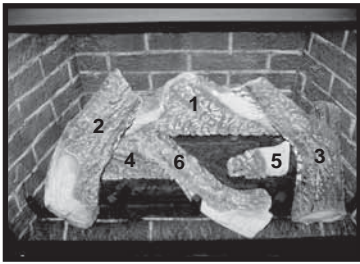


### Log Set Assembly



**IMPORTANT: THIS IS DATED INFORMATION.** When requesting service or replacement parts for your appliance please provide model number and serial number. All parts listed in this manual may be ordered from an authorized dealer.



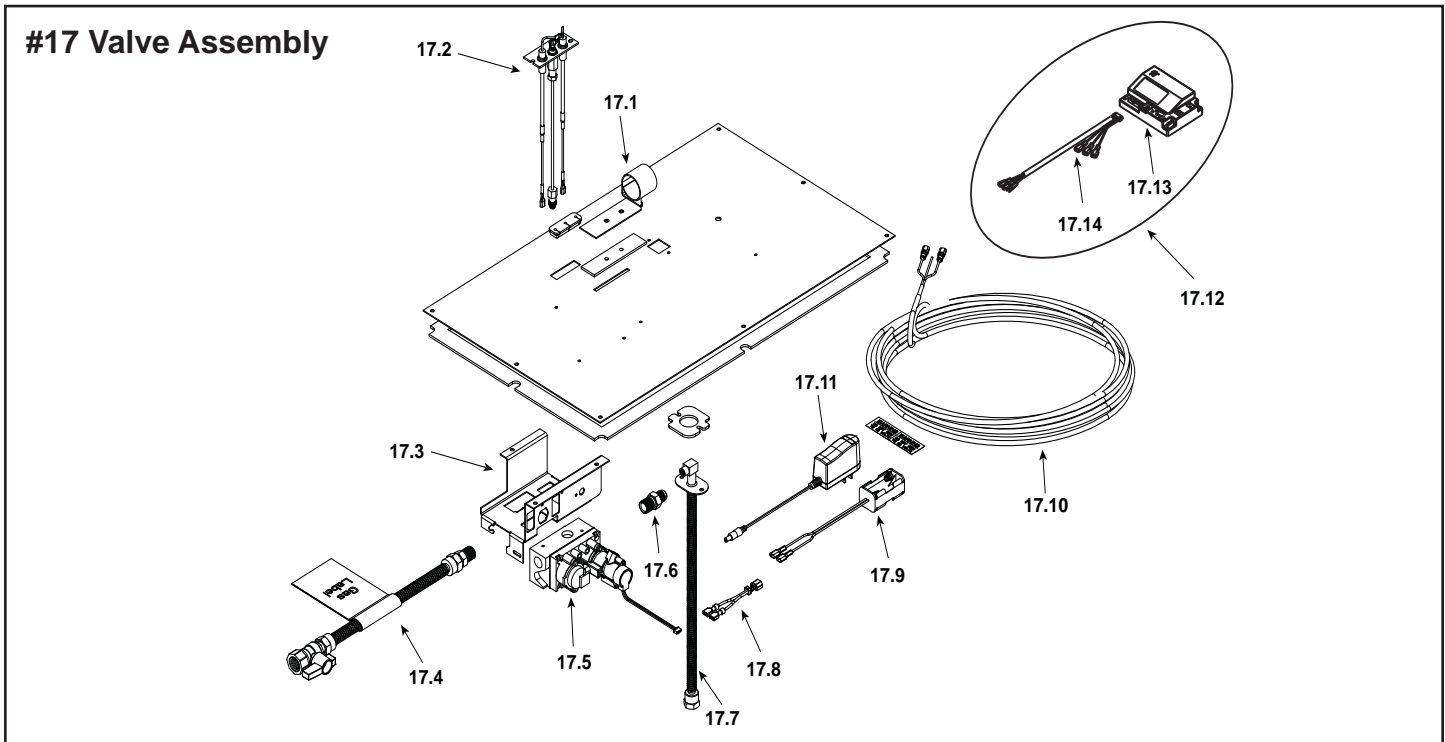
**Stocked at Depot**

ITEM	DESCRIPTION	COMMENTS	PART NUMBER	Stocked at Depot
	Log Set Assembly		LOGS-6C	Y
1	Log 1		SRV2164-701	
2	Log 2		SRV2164-702	
3	Log 3		SRV2164-703	
4	Log 4		SRV2164-704	
5	Log 5		SRV2164-705	
6	Log 6		SRV2164-706	
7	Insulation Board		2166-136	
8	Burner Top		SRV2166-100	Y
9	Burner NG		2164-007	Y
	Burner LP		2164-008	Y
9.1	Air Scoop		2170-188	
9.2	Pilot Cover		2170-181	
10	Log Grate		2166-104	
11	Base Refractory		SRV6BASE-STRAT	
12	Refractory Basket		2166-108	
13	Glass Door Assembly		GLA-6000G	Y
14	Surround Assembly		2166-019	
15	Finishing Strips (Sold as kit only)		SRVFS-6	
16	Junction Box		4021-013	Y

Additional service part numbers appear on following page.

No one builds a better fire

Beginning Manufacturing Date: Aug 2009  
Ending Manufacturing Date: Active



IMPORTANT: THIS IS DATED INFORMATION. When requesting service or replacement parts for your appliance please provide model number and serial number. All parts listed in this manual may be ordered from an authorized dealer.



**Stocked at Depot**

ITEM	DESCRIPTION	COMMENTS	PART NUMBER	Stocked at Depot
17.1	Shutter Bracket Assembly		2166-157	Y
17.2	Pilot Assembly NG		2166-370	Y
	Pilot Assembly LP		2166-371	Y
	Pilot Tube		SRV485-301	Y
17.3	Valve Bracket		2118-104	
17.4	Flex Ball Valve Assembly		302-320A	Y
17.5	Valve NG		2166-302	Y
	Valve LP		2166-303	Y
17.6	Male Connector	Pkg of 5	303-315/5	Y
17.7	Bulkhead W/Tube		2166-119	Y
17.8	Jumper Wire		2187-198	Y
17.9	Battery Pack**		2166-323	Y
17.10	Wall Switch Wire Assembly		2118-170	Y
17.11	Transformer		2166-305	Y
17.12	Control Assembly		2164-030	Y
17.13	Module		2166-307	Y
17.14	Wire Harness		2166-304	Y
	Burner Orifice NG (#33C)		582-833	Y
	Burner Orifice LP (#50C)		582-850	Y

\*\*Fuse for battery pack can be sourced locally, not a warranty item. Specs are 500mA~10A 3/4" long  
Additional service part numbers appear on following page.

