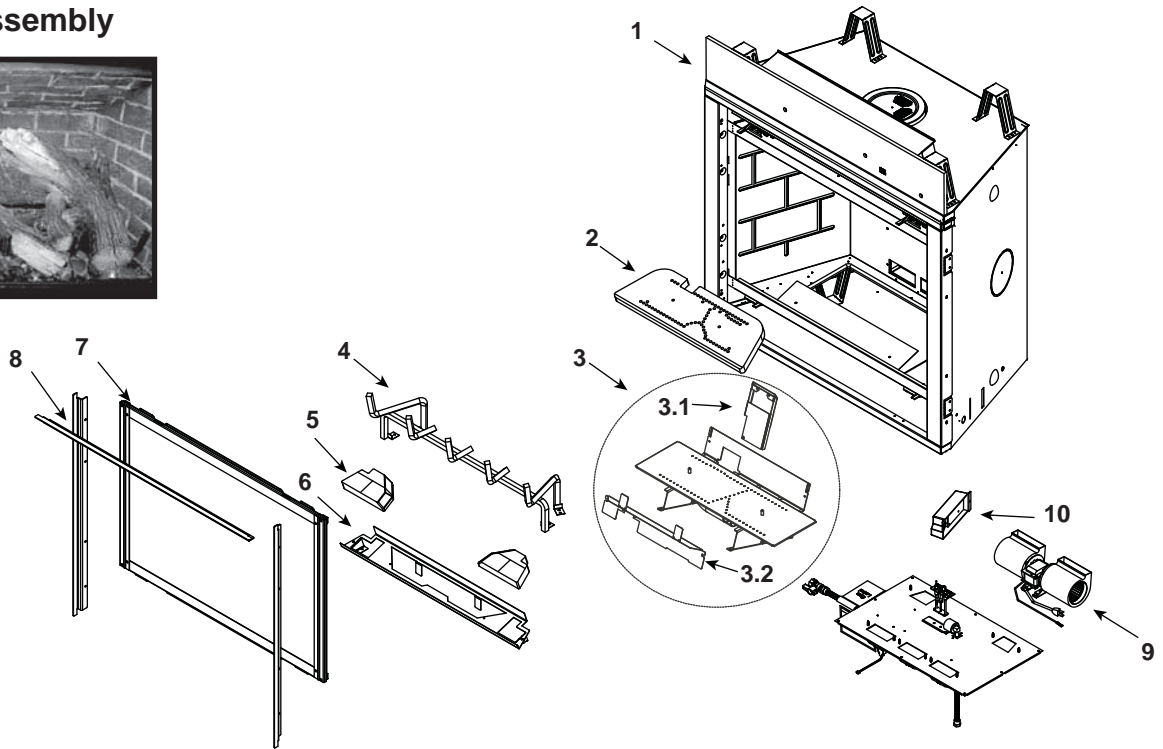


### Log Set Assembly



IMPORTANT: THIS IS DATED INFORMATION. When requesting service or replacement parts for your appliance please provide model number and serial number. All parts listed in this manual may be ordered from an authorized dealer.



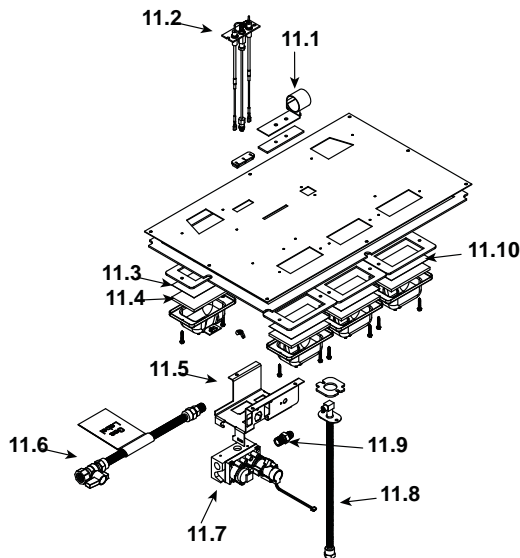
**Stocked at Depot**

ITEM	DESCRIPTION	COMMENTS	PART NUMBER	
	Log Assembly	<b>Sold as set only</b>	LOGS-6CLX	<b>Y</b>
1	Non-combustible board		2166-136	
2	Burner Top		SRV2166-100	<b>Y</b>
3	Burner Assembly NG		2166-007	<b>Y</b>
	Burner Assembly LP		2165-008	<b>Y</b>
3.1	Air Scoop		2170-188	
3.2	Pilot Cover		2170-181	
4	Grate Assembly		2166-104	
5	Refractory Base	Tan	SRV6CLXBASE-TAN	
		Stratford	SRV6CLXBAS-STRT	
6	Base Refractory Basket		2166-108	
7	Glass Assembly		GLA-6GLX	<b>Y</b>
8	Finishing Strips	<b>Sold as set only</b>	SRVFS-6	
9	Blower		GFK-160A	
10	Junction box		4021-013	<b>Y</b>
	Ember Mesh		2166-113	
	Flue Restrictor		385-128	
	Surround		2166-019	

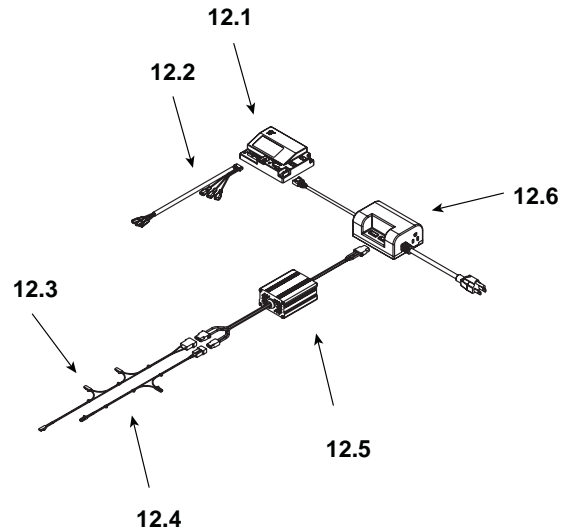
Additional service part numbers on following page.

No one builds a better fire

### #11 Valve Assembly



### #12 Control Assembly



**IMPORTANT: THIS IS DATED INFORMATION.** When requesting service or replacement parts for your appliance please provide model number and serial number. All parts listed in this manual may be ordered from an authorized dealer.



**Stocked at Depot**

ITEM	DESCRIPTION	COMMENTS	PART NUMBER	Stocked at Depot
11.1	Shutter Bracket Assembly		2166-157	Y
11.2	Pilot Assembly, NG		2166-370	Y
	Pilot Assembly, LP		2166-371	Y
	Pilot Tube		SRV485-301	Y
11.3	Kapton Lens, Back Lights	Qty 2 req	2166-171	Y
11.4	Glass, 1/4 "	Qty 5 req	2166-163	Y
11.5	Valve Bracket		2118-104	
11.6	Flex Ball Valve Assembly		302-320A	Y
11.7	Valve, NG		2166-302	Y
	Valve, LP		2166-303	Y
11.8	Bulkhead W/Flex tube		2166-119	Y
11.9	Male Connector	Pkg of 5	303-315/5	Y
11.10	Kapton Lens, Front Lights	Qty 3 req	2166-184	Y
12	Control Assembly			
12.1	Module		2166-307	Y
12.2	Wire Harness		2166-304	Y
12.3	Wire Harness 3 Gang		2166-190	Y
12.4	Wire Harness 2 Gang		2165-190	Y
12.5	LED Controller		2166-336	Y
12.6	RC300 AUX		2166-335	Y
	Orifice, NG (0.124)		582-8124	Y
	Orifice, LP (#49C)		582-849	Y

Additional service part numbers on following page.

No one builds a better fire

Beginning Manufacturing Date: Aug 2009  
Ending Manufacturing Date: Active

IMPORTANT: THIS IS DATED INFORMATION. When requesting service or replacement parts for your appliance please provide model number and serial number. All parts listed in this manual may be ordered from an authorized dealer.



**Stocked  
at Depot**

ITEM	DESCRIPTION	COMMENTS	PART NUMBER	
	Battery Pack**		2166-323	Y
	LED Light Replacement		SRV-LED	Y
	Gasket Assembly Contains: Vent, Burner Neck, Valve, LED, and Adjustable Air Shutter Gaskets		2166-081	
	Glass Latch Assembly	Qty 4 req	2155-045	Y
	Mineral Wool		050-721	
	Pilot Cover		2166-181	
	Remote		2166-330	Y
	Teco-Sil, 5lb. Bag White Ember Bed Rock		700-790	
	Touch Up Paint		TUP-GBK-12	
	Transformer		2166-305	Y
	Refractory Kit Tan		SRV6CLXREF-TAN	
	Back Refractory (-T)		SRV2166-714	
	Left Refractory (-T)		SRV2166-715	
	Right Refractory (-T)		SRV2166-716	
	Top Refractory (-T)		SRV2166-717	
	Refractory Kit Stratford		SRV6CLXREF-STRT	
	Back Refractory (-S)		SRV2166-710	
	Left Refractory (-S)		SRV2166-711	
	Right Refractory (-S)		SRV2166-712	
	Top Refractory (-S)		SRV2166-713	
	Conversion Kit NG		NGKI-6CLX	Y
	Conversion Kit LP		LPKI-6CLX	Y
	Pilot Orifice, NG		593-528	Y
	Pilot Orifice, LP		593-527	Y
	Regulator, NG		NGK-DXV-50	Y
	Regulator, LP		LPK-DXV-50	Y

\*\*Fuse for battery pack can be sourced locally, not a warranty item. Specs are 500mA~10A 3/4" long