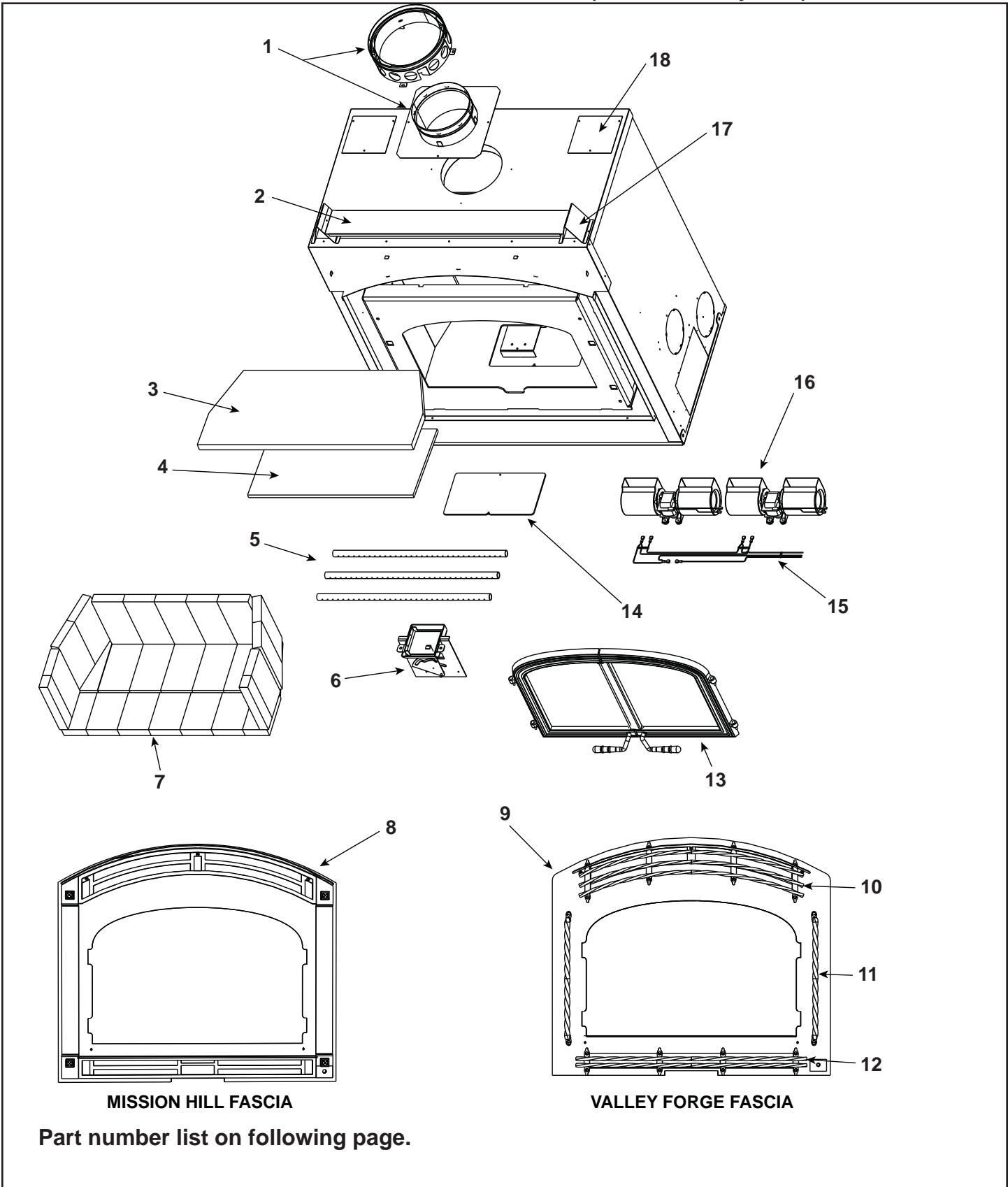


7100FP-BK-B, 7100FP-GD-B, and 7100FP-NL-B (Aug 2006 - Active)  
7100FP-BK, 7100FP-GD and 7100FP-NL (Mar 2005 -- July 2006)



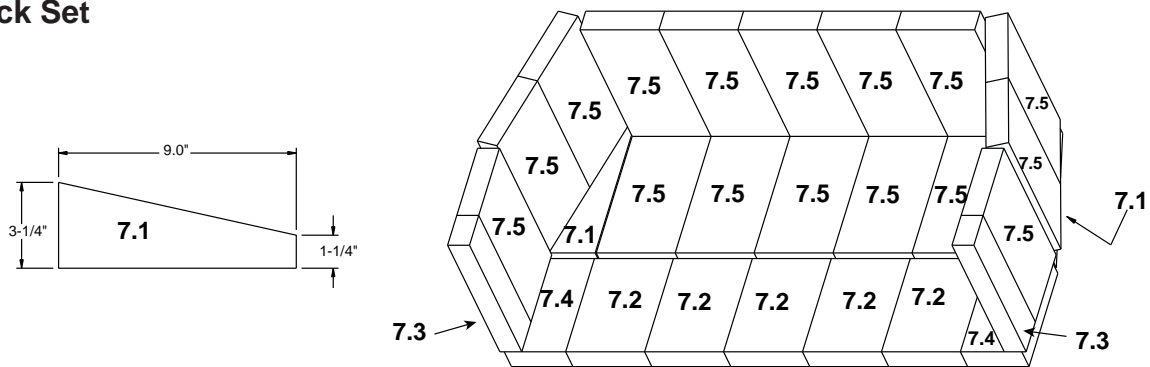
IMPORTANT: THIS IS DATED INFORMATION. When requesting service or replacement parts for your appliance please provide model number and serial number. All parts listed in this manual may be ordered from an authorized dealer.



**Stocked  
at Depot**

ITEM	DESCRIPTION	COMMENTS	PART NUMBER	
1	Starter Plate Assembly		SL1	
	Starter Section Assembly 8"		22069B	Y
2	Header Shield		480-1130	
3	Ceramic Fiber Blanket, 1 In.		832-3401	Y
4	Baffle Board		SRV433-0910	Y
5	Manifold Tube Set		TUBES-433	Y
	Manifold Clip/Screws	Pkg of 4	832-0661	Y
6	Timer Assembly - Complete Timer Assembly		SRV433-5080	Y
	Component Pack		433-5700	
	Gasket, Timer		433-1290	
	Timer Replacement		SRV480-1940	Y

### #7 Brick Set



7	Brick Assembly - Complete Set	Pkg of 27	BRICK-433	
7.1	Brick, 9" x 3.25" x 1.25" Angled (see diagram)	Qty. 2 Req.	433-6080	
7.2	Brick, 6.25" x 4.5" x 1.25"	Qty. 5 Req.	433-6090	
7.3	Brick, 9" x 2" x 1.25"	Qty. 2 Req.	433-6110	
7.4	Brick, 6.25" x 3.5" x 1.25"	Qty. 2 Req.	433-6120	
7.5	Brick, 9" x 4.5" x 1.25"	Qty. 16 Req.	832-2370	
	Brick Uncut, Clay	Pkg of 6	832-3030	
8	Fascia, Mission Hill	Pre 0071580458	DF-7100MH	
		Post 0071580458	DF-7100MH-B	
	Screw, BH SH 1/4-20 x 1.25 BLK	Pkg of 24	225-0630/24	Y
	Screw, 1/4-20 x .5 Button Head	Pkg of 20	32328/20	Y
	Nut, Tinnerman Cage 1/4-20	Pkg of 4	812-2980	Y
	Component Pack		433-5520	
	Knob, Chad, Mission Hill Front		2005-193	
9	Fascia, Valley Forge	Pre 0071580458	DF-7100VF	
		Post 0071580458	DF-7100VF-B	
	Component Pack		433-5520	

Additional service part numbers appear on following page.

Beginning Manufacturing Date: Mar 2005  
Ending Manufacturing Date: Active

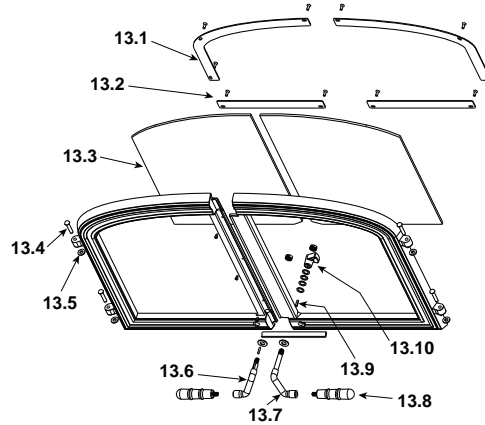
IMPORTANT: THIS IS DATED INFORMATION. When requesting service or replacement parts for your appliance please provide model number and serial number. All parts listed in this manual may be ordered from an authorized dealer.



**Stocked  
at Depot**

ITEM	DESCRIPTION	COMMENTS	PART NUMBER
10	Louver Assembly, Top		433-5130
11	Side Bar Assembly		433-5210
12	Louver Assembly, Bottom		433-5120

## #13 Door, Glass and Door Handle Assembly



13	Door Assembly	Black	SRV433-5580	
		Gold Trim	SRV433-5590	
		Nickel Trim	SRV433-5600	
13.1	Glass Frame, Top		433-1610	
13.2	Glass Frame, Bottom		433-1620	
13.3	Glass Assembly		433-5750	Y
	Gasket, Rope, 1/4", Black (Glass), Field Cut to Size	10 Ft	834-1460	Y
13.4	Hinge Pin	Gold	229-1240	
		Nickel	229-1250/10	Y
13.5	Washer, 1/4 Sae	Pkg of 24	28758/24	Y
	Door Handle Kit		HANDLES-433	Y
13.6	Handle, Door, Left		433-2030	
13.7	Handle, Door, Right		433-0770	
13.8	Fiber Handle		SRV433-1380	Y
13.9	Key, Cam Latch		430-1151	
13.10	Cam Latch		32084	
	Door Trim, Left	Gold Trim	433-7160	
		Nickel Trim	433-7340	
	Door Trim, Right	Gold Trim	433-7150	
		Nickel Trim	433-7330	
	Gasket, Door, 1/2", Field Cut to Size	10 Ft	834-4170	Y
	Gasket, Lytherm, 1/2 x 1/8, 4.	4.17 Ft	834-2590	
	Screw, Flat Head Philips 8-32 x 1/2	Pkg of 10	832-0860	Y
	Washer, Sae, 3/8	Pkg of 3	832-0990	Y

Additional service part numbers appear on following page.

IMPORTANT: THIS IS DATED INFORMATION. When requesting service or replacement parts for your appliance please provide model number and serial number. All parts listed in this manual may be ordered from an authorized dealer.



**Stocked  
at Depot**

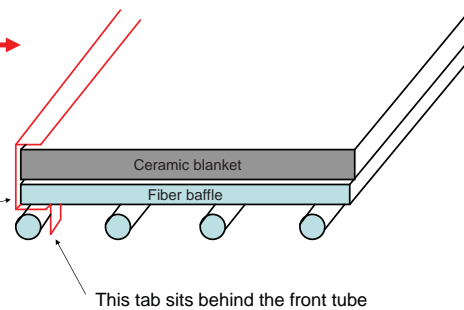
ITEM	DESCRIPTION	COMMENTS	PART NUMBER	
14	Fan Access Panel		433-0450	
15	Wire Harness		SRV480-0990	Y
16	Fan Kit, Convection, contains 1 blower	Qty 2 req	812-4900	Y
17	Standoff Top		480-1040	
18	Plate, Cover, Outer Can		480-1300	

## #19 Baffle Protection Channel

Front, looking into unit

### Side view

Baffle protection channel sits in between front tube and fiber baffle



This tab sits behind the front tube

19	Baffle Protection Kit		433-2720	Y
	Air Shut Off Kit		ASK-7100	
	Control Knob		7000-246	Y
	Brick Retainer Assembly		SRV433-5860	Y
	Bypass Lever Assembly		SRV433-5850	Y
	Chimney Air Kit		CAK4A	
	Outside Air Shield		33271	Y
	Collar, Set, 1/4		229-0750	
	Component Pack (Includes Clamp Connector, Knob, Owners Manual, Epa Label, Sales Efficiency, Light Switch, Light Switch Cover Plate, Fan Speed Control, Touch-Up Paint & Quadra-Fire Warranty Card)		433-5180	
	Control Arm Assembly		433-5880	
	Face Board Assembly, Non-combustible board		433-5720	Y
	Fan Speed Control		SRV7000-143	Y
	Flange, Outer Can Lower		433-0970	
	Hearth Strip		18320	
	Knob	Pkg of 2	32284/2	Y
	Light Switch		480-1260	
	Light Switch Cover Plate		480-1270	
	Outside Air Hood 6"		4059-051	
	Paint Touch-Up		812-0910	
	Outside Air Termination Cap, 6 In.		480-1160	
	Unit Collar		659-125	
	Snap Disc F220-160F		SRV480-1730	Y

Additional service part numbers appear on following page.

