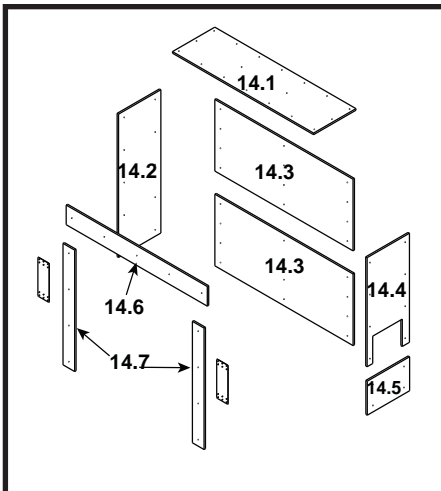
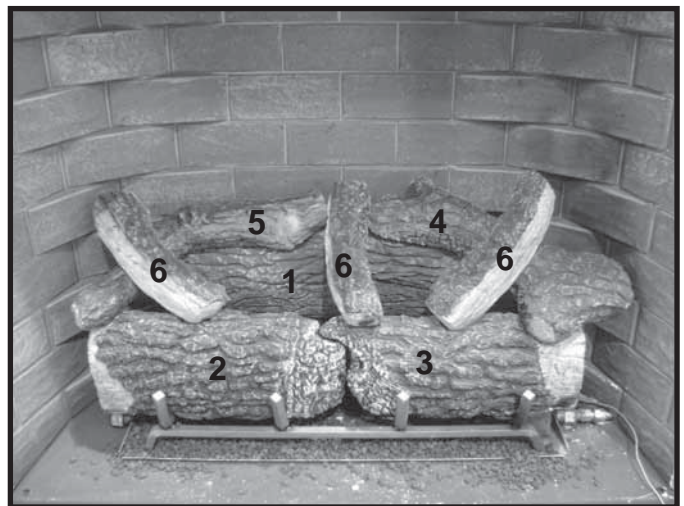


#14 Non Combustible Board



Part number list on following page.

Log Set Assembly



IMPORTANT: THIS IS DATED INFORMATION. When requesting service or replacement parts for your appliance please provide model number and serial number. All parts listed in this manual may be ordered from an authorized dealer.

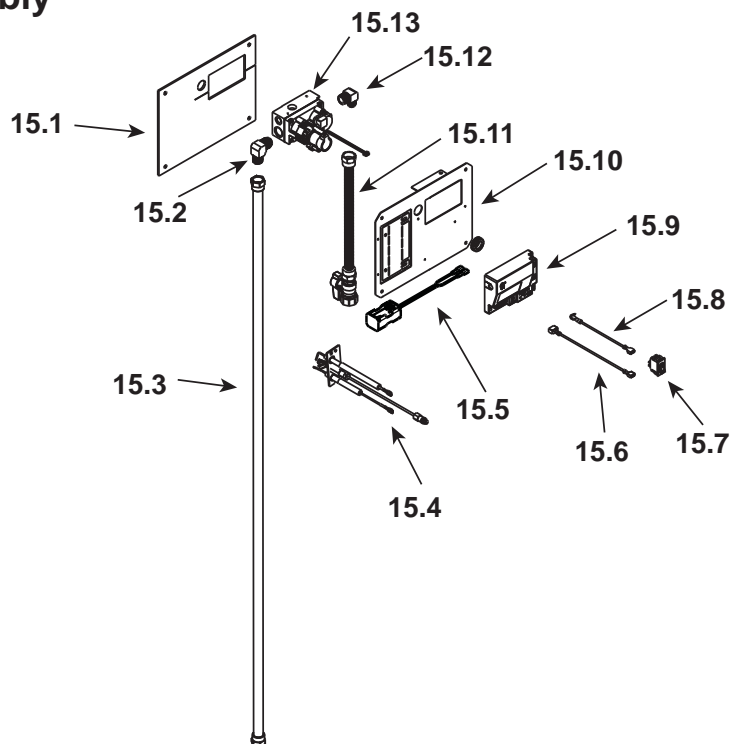


**Stocked
at Depot**

ITEM	DESCRIPTION	COMMENTS	PART NUMBER	
	Log Set Assembly		4067-017	Y
1	Log 1, Rear Log		4067-313	
2	Log 2, Left Front		4067-314	
3	Log 3, Right Front		4067-315	
4	Log 4, Top Right		4067-316	
5	Log 5, Top Left		4067-317	
6	Log 6	Qty 3 req	4067-319	
7	Standoff	Qty 2 req	4067-119	
8	Burner/Grate Assembly NG		4067-019	Y
	Burner/Grate Assembly LP		4067-018	Y
8.1	Orifice, NG		4067-154	Y
	Orifice, LP		4067-155	Y
8.2	Connector		4066-156	
9	Screen Rod Assembly	Qty 2 req	4067-022	Y
9.1	Screen Rod	Qty 2 req	4067-305	
9.2	Screen Assembly	Qty 2 req	4067-023	Y
10	Pilot Bracket		4067-112	
11	Heat Shield		4067-113	
12	Pilot Shield		4066-127	
13	Control Box Assembly		4066-325	Y
14	Non-combustible Board			
14.1	Top		4067-120	
14.2	Left Side		4067-121	
14.3	Back	Qty 2 req	4067-123	
14.4	Right Side		4067-122	
14.5	Lower Right		4066-126	
14.6	Upper Front		4067-124	
14.7	Front Sides	Qty 2 req	4067-125	
	Bracket, Junction Box		4066-116	
	Electric Conversion Kit to AC Power		ELEC-CARODG	
	Patch Kit, Fiber		SRV-PACK	
	Touch up Paint, Fiber		STRATFORD-KIT	
	Wire Assembly		4021-711	Y
	Conversion Kit NG		NGK-CARODG42	Y
	Conversion Kit LP		LPK-CARODG42	Y
	Pilot Orifice NG		593-528	Y
	Pilot Orifice LP		593-527	Y
	Regulator NG		NGK-DXV-50	Y
	Regulator LP		LPK-DXV-50	Y

Additional service part numbers appear on following page.

#15 Valve Assembly



IMPORTANT: THIS IS DATED INFORMATION. When requesting service or replacement parts for your appliance please provide model number and serial number. All parts listed in this manual may be ordered from an authorized dealer.



Stocked at Depot

ITEM	DESCRIPTION	COMMENTS	PART NUMBER	
15.1	Gasket , Pilot Bracket		4066-328	
15.2	90 Degree Elbow		4042-314	
15.3	Flex Line, 1/2 inch SS, 84 inches long		4021-696	Y
15.4	Pilot Assembly NG		4021-628	Y
	Pilot Assembly LP		4021-629	Y
	Pilot Tube		4021-705	Y
15.5	Battery Pack**		4067-223	Y
15.6	Wire Assembly		4021-710	Y
15.7	On/ Off Switch		060-511	Y
15.8	Wire Assembly		4021-697	Y
15.9	Module		2166-307	Y
15.10	Valve Bracket		4066-115	
15.11	Flex Ball Valve Assembly		2078-022	Y
15.12	Male Elbow		4021-045	
15.13	Valve NG		2166-302	Y
	Valve LP		2166-303	Y
	Wire Harness		2166-304	Y

**Fuse for battery pack can be sourced locally, not a warranty item. Specs are 500mA~10A 3/4" long