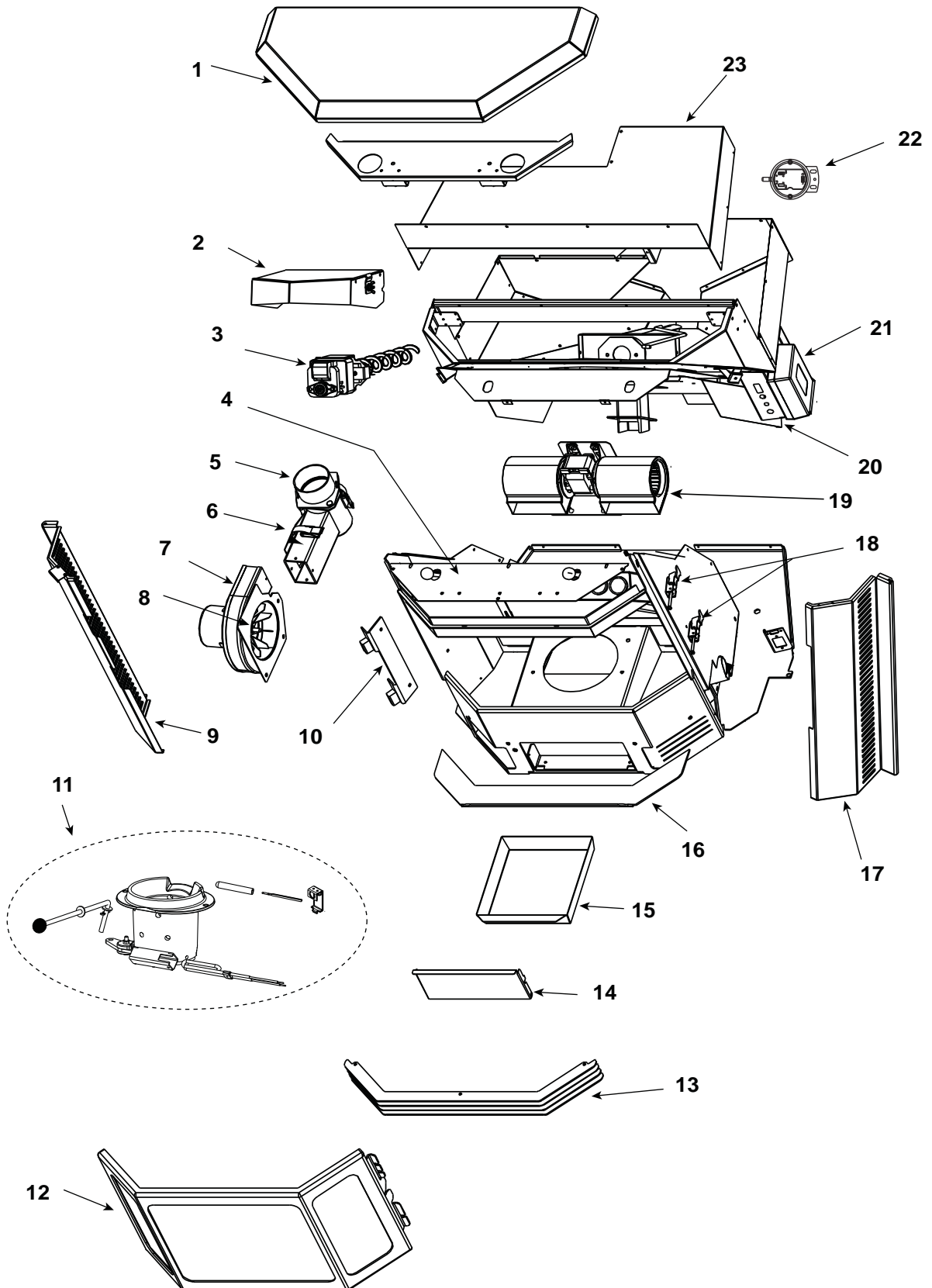


Classic Bay Millennium Insert - Pellet



Part number list on following pages.

IMPORTANT: THIS IS DATED INFORMATION. When requesting service or replacement parts for your appliance please provide model number and serial number. All parts listed in this manual may be ordered from an authorized dealer.



**Stocked
at Depot**

| ITEM | DESCRIPTION | COMMENTS | PART NUMBER | |
|--------------------------------------|---|---------------------|-------------|---|
| 1 | Top | | SRV410-7960 | |
| | Hinge, Hopper Lid | | 812-4220 | |
| | Mount, Hopper Lid Support, Left | No longer available | 410-8200 | |
| | Mount, Hopper Lid Support, Right | | 410-7410 | |
| | Mount, Hopper Lid Support, Top | | 410-7560 | |
| 2 | Cover, Feed Motor, Top | | 410-7920 | |
| <p>#3 Feed Motor Assembly</p> | | | | |
| 3 | Feed Motor Assembly | | 812-3690 | Y |
| 3.1 | Screw, 8-32 X 3/8 PH | Pkg of 40 | 225-0500/40 | Y |
| 3.2 | Feed Motor | | 812-4421 | Y |
| 3.3 | Collar, Set, 7/8 | | 229-0520 | |
| 3.4 | Feed Bearing | | SRV7000-598 | Y |
| 3.5 | Mount, Feed Motor | | 410-7172 | |
| 3.6 | Gasket, Feed Motor | | 240-0731 | Y |
| 3.7 | Feed Spring Assembly | | SRV7027-024 | Y |
| | Bearing, Feed System, Nylon | | 410-0552 | Y |
| | Snap Disc, Manual Reset | | SRV230-1290 | Y |
| 4 | Extension, Heat Shield, Top | | 410-7860 | |
| 5 | Exhaust Adapter Assembly | | 510-5330 | |
| | Gasket, Flue Adapter | | 240-0850 | Y |
| 6 | Exhaust Transition Assembly | | 510-5340 | |
| | Gasket, Top Vent | | 240-0840 | |
| | Latch, Draw | | 229-0230 | |
| 7 | Blower, Combustion/Exhaust | | 812-3381 | Y |
| 8 | Gasket, Exhaust Combustion Blower, between... | ...Motor & Housing | 812-4710 | Y |
| | | ...Housing & Stove | 240-0812 | Y |
| 9 | Curtain, Side, Left | | 812-4310 | |
| 10 | Mount, Door Hinge | | 410-7290 | |
| | | | | |
| | | | | |
| | | | | |
| | | | | |

Additional service part numbers appear on following page.

IMPORTANT: THIS IS DATED INFORMATION. When requesting service or replacement parts for your appliance please provide model number and serial number. All parts listed in this manual may be ordered from an authorized dealer.



**Stocked
at Depot**

| ITEM | DESCRIPTION | COMMENTS | PART NUMBER | |
|--|---|----------------------------|-----------------|---|
| #11 Firepot Assembly and Associated Parts | | #12 Door Assembly | | |
| 11.1 | Rod/Linkage Ez Clean | | 812-4140 | |
| | Knob, Ash Dump Control Rod | | 832-3020 | |
| | Spring, Firepot | | 200-2050 | |
| 11.2 | Firepot Assembly | | 812-3351 | Y |
| | Bushing, Firepot | | 410-8320 | Y |
| | Floor, Firepot | | 414-0290 | Y |
| | Gasket, Firepot | | 510-0530 | Y |
| 11.3 | Thermocouple Cover | Pkg of 1 | 812-1322 | Y |
| | | Pkg of 10 | 812-4920 | Y |
| 11.4 | Thermocouple | | 812-0210 | Y |
| 11.5 | Thermocouple Bracket W/Set Screw | | 812-3171 | Y |
| 11.6 | Heating Element Assembly 18" (Loop Igniter) | Pkg of 1 | SRV7000-462 | Y |
| | | Pkg of 10 | SRV7000-462/10 | Y |
| | Wing Thumb Screw 8-32 X 1/2 | Pkg of 24 | 7000-223/24 | Y |
| 12 | Door Assembly | Black | DR-CB12-MBK-B | |
| | | Gold | DR-CB12-GD-B | |
| | | No longer available | DR-CB12-NL | |
| 12.1 | Hinge, Female | | 450-2910 | |
| 12.2 | Glass Assembly, Center, 13-7/8 in. W x 11 in. H | | 510-5400 | Y |
| 12.3 | Glass Assembly, Side, 5-1/8 in. W x 11 in. H | Qty: 1 | 510-5410 | Y |
| 12.4 | Glass Retainer Assembly | | 510-5460 | Y |
| | Bracket, Door Latch | | 410-4912 | |
| | Door Rope, 7/8", Field Cut to Size | 8 Ft | 842-2350 | Y |
| | Gasket, Glass, Field Cut to Size | 10 Ft | 833-0660 | |
| 13 | Grille, Louver | Black | LVGRL-CB12-BK-B | |
| | | Gold | LVGRL-CB12-GD-B | |
| | | Nickel | LVGRL-CB12-NL-B | |
| | Grille, Bar, Bottom | | 410-8330 | |
| 14 | Panel, Front Access | Ash Pan Door | 812-4290 | |
| 15 | Ash Pan | | 812-4130 | |

Additional service part numbers appear on following page.

IMPORTANT: THIS IS DATED INFORMATION. When requesting service or replacement parts for your appliance please provide model number and serial number. All parts listed in this manual may be ordered from an authorized dealer.



**Stocked
at Depot**

| ITEM | DESCRIPTION | COMMENTS | PART NUMBER | |
|------|--|-----------|-------------|---|
| 16 | Ashcatcher | | 410-7830 | |
| 17 | Curtain, Side, Right | | 812-4320 | |
| 18 | Latch, Draw | | 229-0640 | Y |
| 19 | Blower, Convection | | 812-4900 | Y |
| 20 | Wire Harness | | SRV7000-155 | Y |
| | Block, Thermostat Term Dv | | 230-0690 | |
| | Igniter Extension | | 7000-218 | |
| 21 | Control Board 3 Speed | | SRV7000-205 | Y |
| 22 | Vacuum Switch | | SRV7000-531 | Y |
| 23 | Hopper Top | | 410-7730 | |
| | Baffle, Left | | 812-4200 | Y |
| | Baffle, Right | | 812-4210 | Y |
| | Bracket, Magnet Mount | | 410-7760 | |
| | Call Light Bulb | | 812-0760 | Y |
| | Call Light Lens Cover | | 812-0750 | Y |
| | Call Light, Fluorescent | | SRV7000-122 | |
| | Component Pack (Includes Firepot Cleanout Tool, Power Cord, Wire Harness For Thermostat, Owners Manual, Caution Label, Paint, Warranty Card, "How To" Dvd) | | 812-4330 | |
| | Cleanout Tool | | 414-1140 | Y |
| | Dvd Original Energy Insert | | 7000-441 | |
| | Harness, Thermostat Wire | | 230-0810 | |
| | Paint Touch-Up | | 812-0910 | |
| | Power Cord | | 812-1180 | Y |
| | Door, Cleanout, Exhaust Plenum | | 410-7910 | |
| | Feed Adjustment Assembly | | 510-5450 | |
| | Thumbscrew, 1/4-20 X 3/4 | | 844-5070 | |
| | Fuse, 7 Amp, Junction Box | Pkg of 10 | 812-0380/10 | Y |
| | Fuse, 8 Amp, Control Box | Pkg of 10 | 812-3780/10 | Y |
| | Hinge, Door, Male | | 450-2810 | |
| | Hopper Switch, Magnetic | | 7000-375 | Y |
| | Hose, Vacuum, 5/32 Id, Field Cut to Size | 3 Ft | SRV240-0450 | Y |
| | Igniter Wire (5Ft) & (4) Ceramic Nuts | | 812-4520 | Y |
| | Latch, Magnet | | 229-0631 | |
| | Snap Disc, #1, Convection Blower | | SRV230-0470 | Y |
| | Snap Disc, #2, 200 Open/40 D | | SRV230-0900 | Y |
| | Thermocouple Grounding Kit | | 812-4980 | |
| | Wire Harness Hopper Switch | | SRV414-1220 | Y |

Additional service part numbers appear on following page.

IMPORTANT: THIS IS DATED INFORMATION. When requesting service or replacement parts for your appliance please provide model number and serial number. All parts listed in this manual may be ordered from an authorized dealer.



**Stocked
at Depot**

| ITEM | DESCRIPTION | COMMENTS | PART NUMBER | |
|-----------------------------|---|-----------------|-----------------|----------|
| OPTIONAL ACCESSORIES | | | | |
| | Adjustable Hearth Support - 12 in. X 50 in., 2-10 in. H | | ADJSPT-12 | |
| | Damper, 3 Inch - Tall Vertical Installs Only | | PEL-DAMP3 | Y |
| | Damper, 4 Inch - Tall Vertical Installs Only | | PEL-DAMP4 | |
| | Floor Protector | | 811-0730 | |
| | Log Set Assembly | | LOGS-30-OE | |
| | Log, Rear Left | | 7050-144 | |
| | Log, Rear Right | | 7050-143 | |
| | Outside Air Kit | | 811-0700 | |
| | Hose, Alum Flex, 2 Inch X 3 Ft | 3 Ft | 200-0860 | |
| | Panel Set, Large, W/Gold Trim | 33 in x 50 in. | SP-CB12I3350-GD | |
| | Bracket, -L-, Trim | Qty: 2 | 832-0840 | |
| | Logo, Quadra-Fire, Gold | | 200-3180 | |
| | Trim, Panel Set, Gold | | 250-4660 | |
| | Panel Set, Large, W/Nickel Trim | 33 in x 50 in. | SP-CB12I3350-NL | |
| | Bracket, -L-, Trim | Qty: 2 | 832-0840 | |
| | Logo, Quadra-Fire, Nickel | | 200-3240 | |
| | Trim, Panel Set, Ots, Nickel | | 510-5220 | |
| | Panel Set, Small, W/Gold Trim | 30 in. x 40 in. | SP-CB12I3040-GD | |
| | Bracket, -L-, Trim | Qty: 2 | 832-0840 | |
| | Logo, Quadra-Fire, Gold | | 200-3180 | |
| | Trim, Panel Set, Std, Gold | | 811-0710 | |
| | Panel Set, Small, W/Nickel Trim | 30 in. x 40 in. | SP-CB12I3040-NL | |
| | Bracket, -L-, Trim | Qty: 2 | 832-0840 | |
| | Logo, Quadra-Fire, Nickel | | 200-3240 | |
| | Trim, Panel Set, Std, Nickel | | 510-5210 | |
| | Shroud, Rear | | 811-0680 | |
| | Smart-Batt II | | 841-0970 | |
| | Smart-Stat II | | 841-0960 | |
| | Thermostat, Mechanical | | 812-3760 | Y |
| | Thermostat, Programmable | | 811-0520 | |
| | Top Vent Adapter, 3" | | 811-0660 | |
| | Top Vent Adapter, 4" | | 811-0670 | |
| | Top Vent Kit, Rear Shroud | | 811-0650 | |
| | Vent Adapter, 3-4" | | 811-0720 | |
| | Vent Kit, Rear | | 811-0690 | |
| | | | | |

Additional service part numbers appear on following page.

