

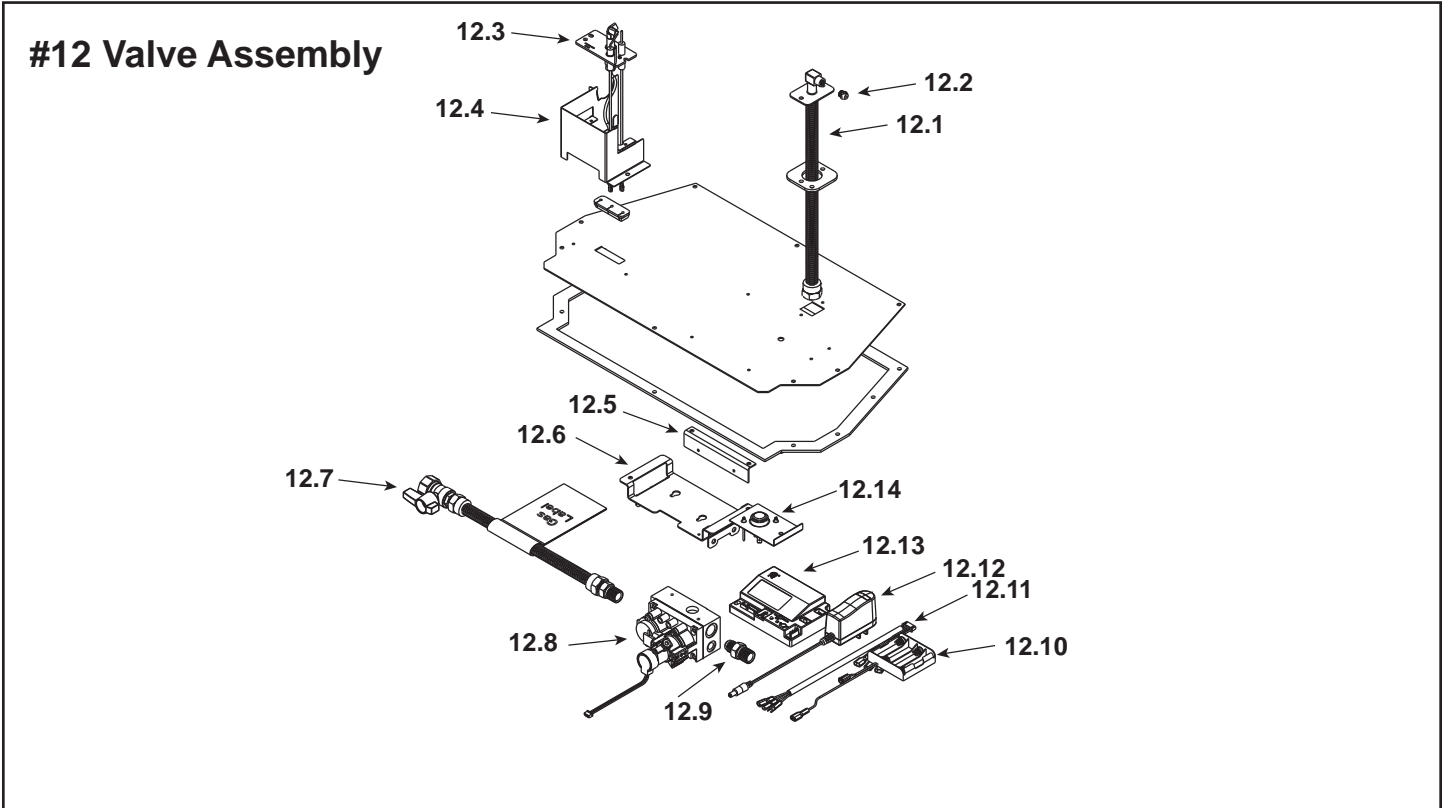
IMPORTANT: THIS IS DATED INFORMATION. When requesting service or replacement parts for your appliance please provide model number and serial number. All parts listed in this manual may be ordered from an authorized dealer.



Stocked at Depot

ITEM	DESCRIPTION	COMMENTS	PART NUMBER	
1	Termination Plate Assembly		2205-012	
	Flex Pipe Handle		438-351	
	Gasket		2206-401	
2	Burner Assembly		2204-007	Y
3	Burner Leg		2238-103	
4	Base Pan		2238-100	
5	On/Off Rheostat		2206-800	Y
6	Glass Door Assembly		GLA-2205	Y
7	Rheostat Knob		100-512	Y
8	Control Panel		2205-129	
9	Blower		GFK-210-C	
10	Wire Assembly		2206-068	Y
11	Power cord Assembly		2201-017	Y

Additional service part numbers appear on following page.



IMPORTANT: THIS IS DATED INFORMATION. When requesting service or replacement parts for your appliance please provide model number and serial number. All parts listed in this manual may be ordered from an authorized dealer.



Stocked at Depot

ITEM	DESCRIPTION	COMMENTS	PART NUMBER	
12.1	Flexible Gas Connector		7000-156	Y
12.2	Orifice NG (#38C)		582-838	Y
	Orifice LP (#52C)		582-852	Y
12.3	Pilot Assembly NG		2198-014	Y
	Pilot Assembly LP		2198-015	Y
12.4	Pilot Bracket		2239-112	
12.5	Control Panel Bracket		2205-128	
12.6	Valve Bracket		2205-146	
12.7	Flex Ball Valve Assembly		302-320A	Y
12.8	Valve NG		2166-302	Y
	Valve LP		2166-303	Y
12.9	Brass Connector	Pkg of 5	303-315/5	Y
12.10	Battery Pack**		2166-323	Y
12.11	Wire Assembly		2166-304	Y
12.12	Transformer		2166-305	Y
12.13	Control Module		2166-307	Y
12.14	Temp Sensor Switch		046-018A	Y

**Fuse for battery pack can be sourced locally, not a warranty item. Specs are 500mA~10A 3/4" long

Additional service part numbers appear on following page.

