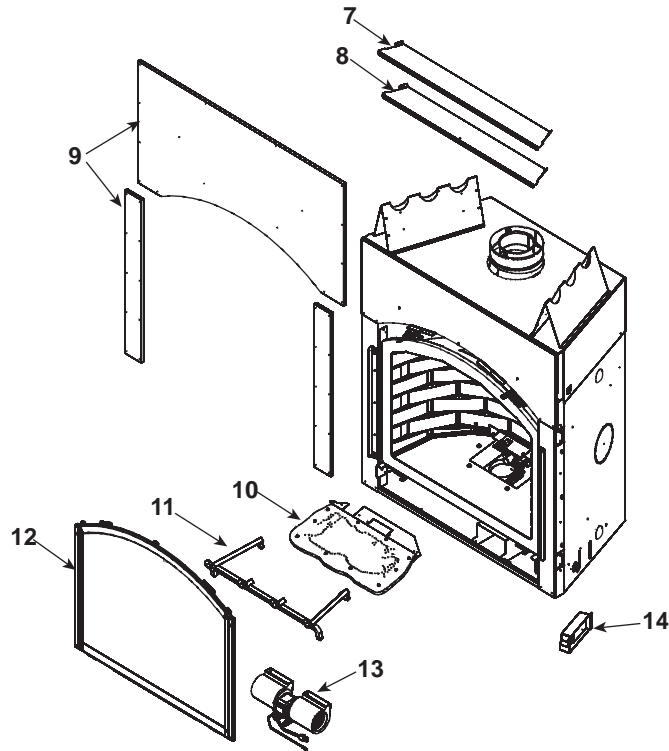


### Log Set Assembly



IMPORTANT: THIS IS DATED INFORMATION. When requesting service or replacement parts for your appliance please provide model number and serial number. All parts listed in this manual may be ordered from an authorized dealer.



**Stocked at Depot**

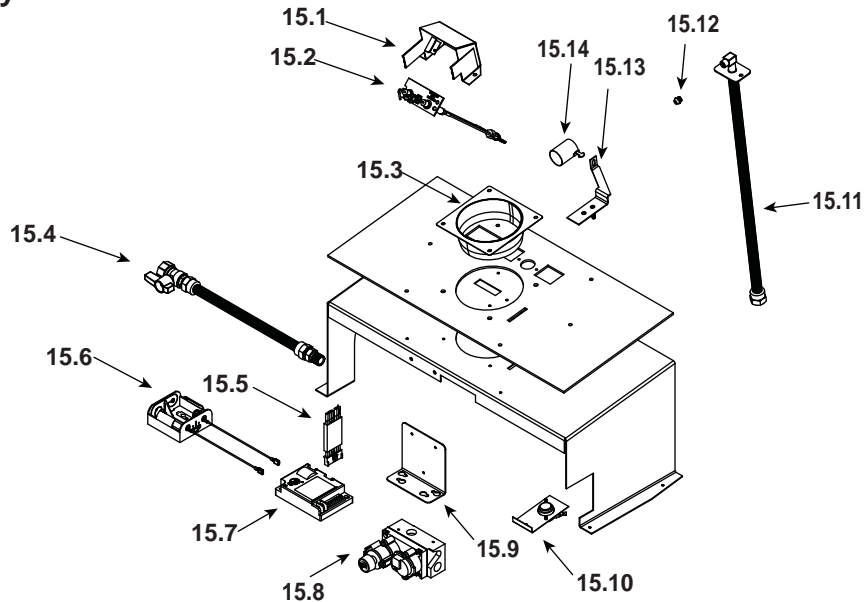
ITEM	DESCRIPTION	COMMENTS	PART NUMBER	Stocked at Depot
	Log Set Assembly		LOGS-CERONA42	Y
1	Log 1		SRV2107-701	
2	Log 2		SRV2107-702	
3	Log 3		SRV2107-703	
4	Log 4		SRV2107-704	
5	Log 5		SRV2107-705	
6	Log 6		SRV2107-706	
7	Top Header Heat Shield		2107-144	
8	Bottom Header Heat Shield		2107-145	
9	Non-Combustible Board		2107-030	
10	Burner NG, LP		2107-003	Y
11	Grate Assembly		2106-006	
12	Glass Door Assembly		GLA-CERONA42	Y
13	Fan Kit		GFK-160A	
14	Junction Box		4021-013	Y
	Control Box	<b>No longer available</b>	2106-025	
		Post Sn #0021359354	WSK-MLT	

Additional service part numbers appear on following page.

No one builds a better fire

Beginning Manufacturing Date: Aug 2006  
Ending Manufacturing Date: Active

### #15 Valve Assembly



**IMPORTANT: THIS IS DATED INFORMATION.** When requesting service or replacement parts for your appliance please provide model number and serial number. All parts listed in this manual may be ordered from an authorized dealer.



**Stocked at Depot**

ITEM	DESCRIPTION	COMMENTS	PART NUMBER	
15.1	Pilot Bracket		2106-135	
15.2	Pilot Assembly NG		2106-009	Y
	Pilot Assembly LP		2106-008	Y
15.3	Collar 4"		2081-140	
15.4	Flex Ball Valve Assembly		302-320A	Y
15.5	Module Wire Assembly		593-590A	Y
15.6	Battery Pack		593-594A	Y
15.7	Module		593-592	Y
15.8	Valve NG		750-500	Y
	Valve LP		750-501	Y
15.9	Valve Bracket		2106-107	
15.10	High Temp Limit Switch	Pre June 2009 must order both switch, Wire, and shutter Bracket assembly	2106-005 and 107-559A	Y
			2106-010(NG) or 2106-071(LP)	Y
		Post June 2009	2106-005	Y
15.11	Flexible Gas Connector		530-302A	Y
15.12	Orifice NG (#29C)		582-829	Y
	Orifice LP (#48C)		582-848	Y
15.13	Shutter Bracket Assembly (NG)		2106-010	Y
	Shutter Bracket Assembly (LP)		2106-071	Y
15.14	Shutter Sleeve		2026-130	Y

Additional service part numbers appear on following page.

