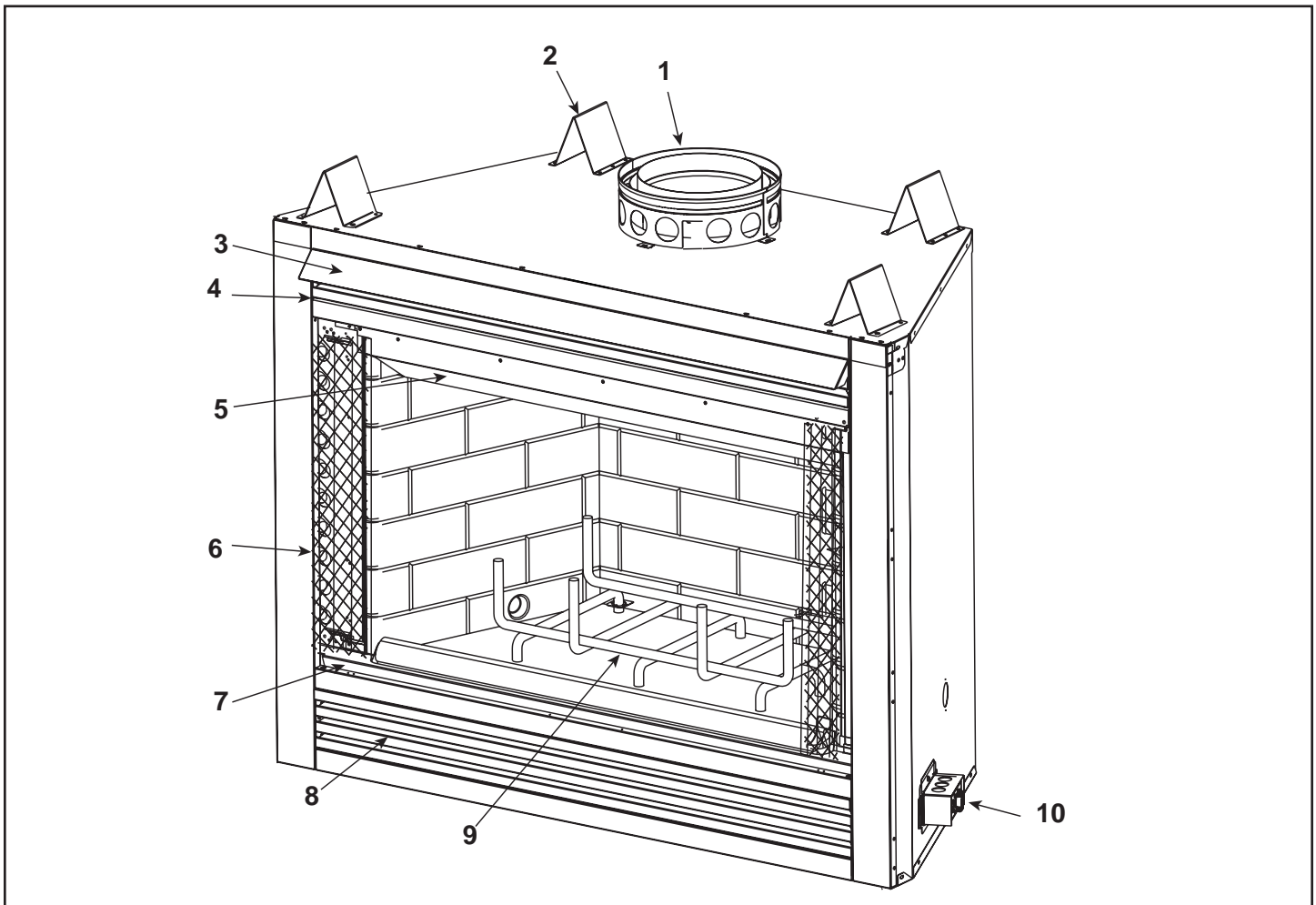


No one builds a better fire

36 in. Energy Master Circulating Fireplace

Beginning Manufacturing Date: Aug 1999

Ending Manufacturing Date: Active



IMPORTANT: THIS IS DATED INFORMATION. When requesting service or replacement parts for your appliance please provide model number and serial number. All parts listed in this manual may be ordered from an authorized dealer.



**Stocked
at Depot**

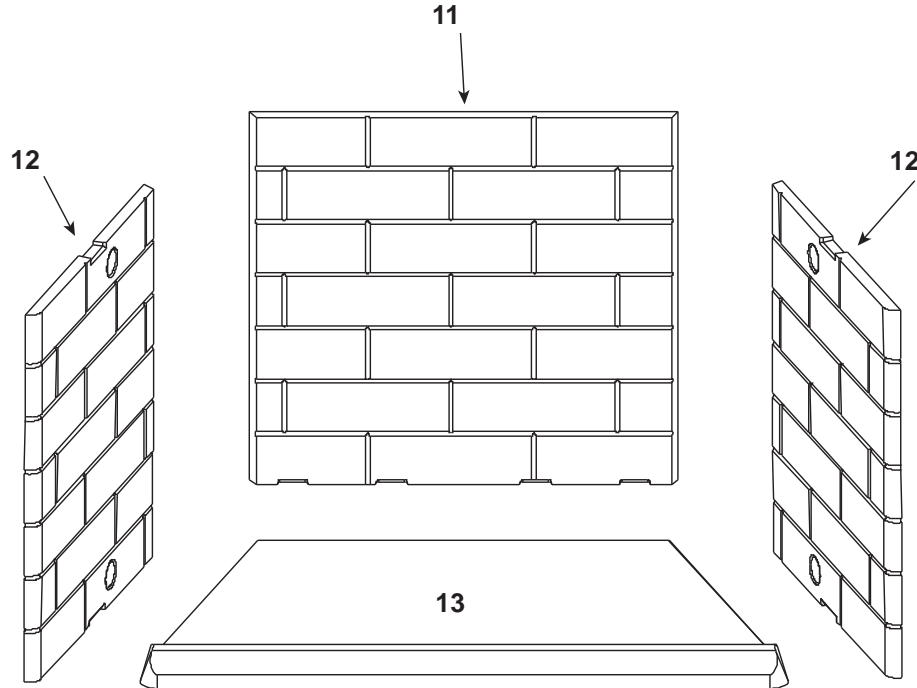
ITEM	DESCRIPTION	COMMENTS	PART NUMBER	
1	8 in. Starter Section Assembly		22069B	Y
2	Top Standoff	Qty. 4 req.	4044-111	
3	Hood		31682	
4	Upper Grille Assembly		31696	
5	Smoke Shield		31191	
6	Firescreen Assembly	Qty. 2 req.	28417	Y
	Firescreen Ring	Qty. 8 req.	11857B	
	Firescreen Handle		4021-149	
7	Hearth Filler		30331	
8	Lower Grille Assembly		31679	
9	Grate		GR23	Y
10	Junction Box		21878	Y
	Installation Instructions and Owner's Manual		33056	

Additional service parts on following page

No one builds a better fire

Beginning Manufacturing Date: Aug 1999
Ending Manufacturing Date: Active

Traditional Refractory



IMPORTANT: THIS IS DATED INFORMATION. When requesting service or replacement parts for your appliance please provide model number and serial number. All parts listed in this manual may be ordered from an authorized dealer.



Stocked at Depot

ITEM	DESCRIPTION	COMMENTS	PART NUMBER	
11	Traditional Brick Back Refractory	Pre 34/98	29245	
		Post 34/98	29992	
12	Traditional Brick Side Refractory	Qty. 2 req.	28393	
13	Traditional Brick Hearth Refractory	Pre 34/98	29244	
		Post 34/98	29993	
	Damper Repair Kit		4010-001	
	Door Pivot Clip	Qty. 2 req.	31527	
	Door Track		15425	
	Exterior Touch-up Paint		71479	
	Firescreen Rod	Qty. 2 req.	12052	Y
	Junction Box Cover Plate	Qty. 3 req.	26548	
	Junction Box Kit		JK9	Y
	Nailing Flange	Qty. 4 req.	31190	
	Refractory Retainer	Qty. 3 req.	11847	
	Smoke Diverter		30559	
	Strip Protector	Qty. 2 req.	18320	