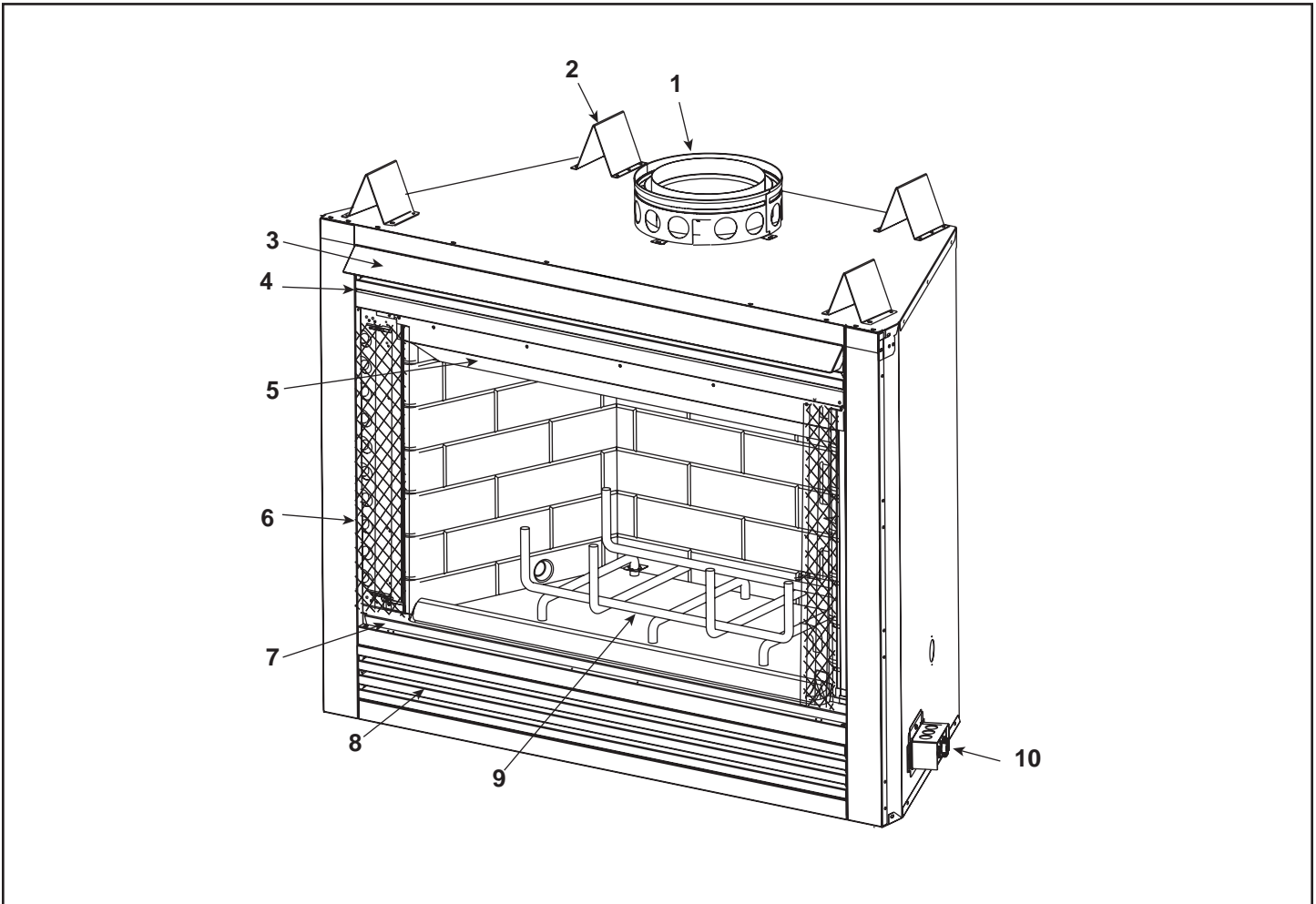


No one builds a better fire

42 in. Master Circulating Fireplace

Beginning Manufacturing Date: Sept 2000

Ending Manufacturing Date: Active



IMPORTANT: THIS IS DATED INFORMATION. When requesting service or replacement parts for your appliance please provide model number and serial number. All parts listed in this manual may be ordered from an authorized dealer.



Stocked at Depot

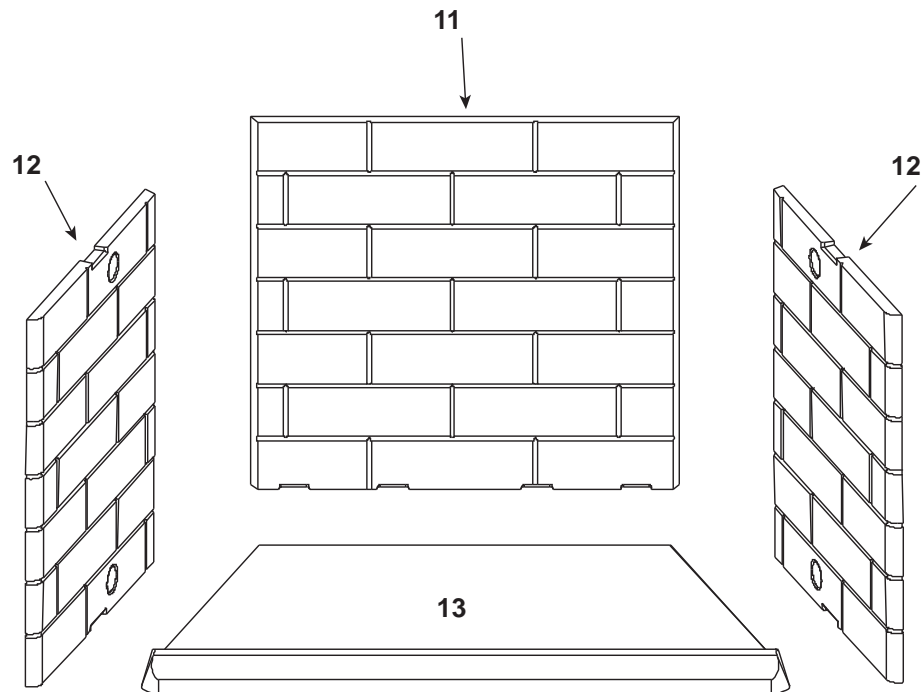
ITEM	DESCRIPTION	COMMENTS	PART NUMBER	
1	8 in. Starter Section Assembly		22069B	Y
2	Top Standoff	Qty. 4 req	4044-111	
3	Hood		31683	
4	Upper Grille Assembly		31697	Y
5	Smoke Shield		35221	
6	Firescreen Assembly	Qty. 2 req	32441	Y
	Firescreen Ring	Qty. 9 req	11857B	
	Firescreen Handle		4021-149	
7	Hearth Filler		30332	
8	Lower Grille Assembly		31680	
9	Grate		GR24	Y
10	Junction Box		21878	Y
	Installation Manual		33056	

Additional service parts on following page

No one builds a better fire

Beginning Manufacturing Date: Sept 2000
Ending Manufacturing Date: Active

Traditional Refractory



IMPORTANT: THIS IS DATED INFORMATION. When requesting service or replacement parts for your appliance please provide model number and serial number. All parts listed in this manual may be ordered from an authorized dealer.



**Stocked
at Depot**

ITEM	DESCRIPTION	COMMENTS	PART NUMBER	
11	Brick Refractory - Back		28394	
12	Brick Refractory - Left/Right Side	Qty. 2 req	28393	
13	Brick Refractory - Hearth		28391	
	Damper Repair Kit		4010-001	
	Door Pivot Clip	Qty. 2 req	31527	
	Door Track		15427	
	Firescreen Rod	Qty. 2 req	28404	Y
	Junction Box Cover Plate	Qty. 3 req	26548	
	Junction Box Kit		JK9	Y
	Nailing Flange	Qty. 4 req	31190	
	Refractory Retainer	Qty. 3 req	11847	
	Smoke Shield Extension Kit		35397	
	Strip Protector	Qty. 2 req	18320	
	Touch-up Paint		71479	