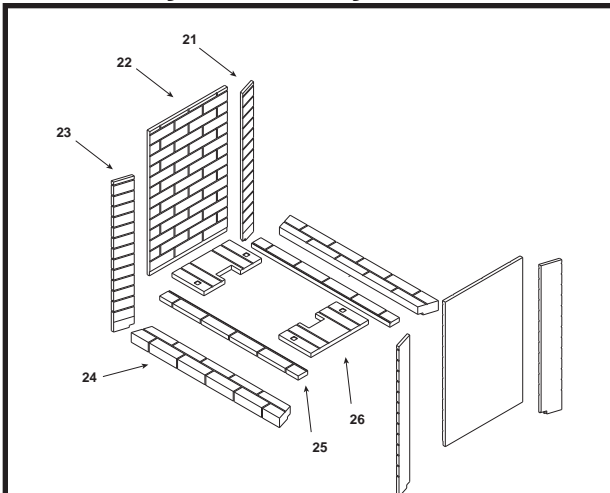
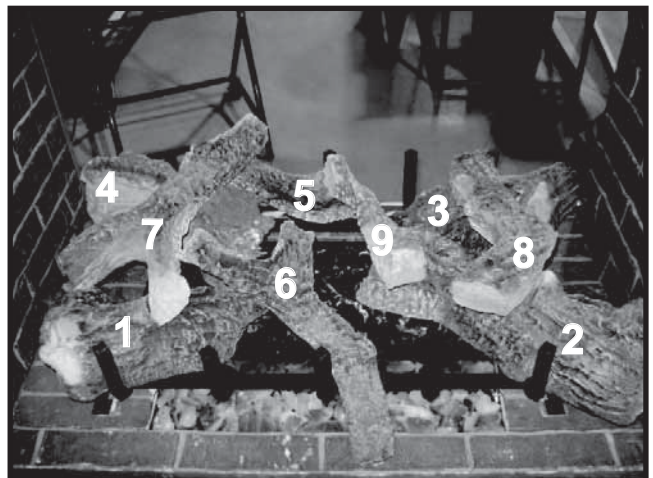


Refractory Assembly



Log Set Assembly



Part number list on following page.

Beginning Manufacturing Date: Dec 2008
Ending Manufacturing Date: Active

No one builds a better fire

IMPORTANT: THIS IS DATED INFORMATION. When requesting service or replacement parts for your appliance please provide model number and serial number. All parts listed in this manual may be ordered from an authorized dealer.



**Stocked
at Depot**

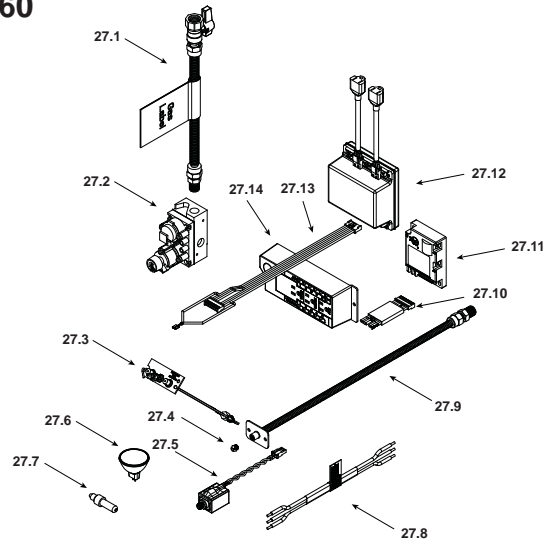
ITEM	DESCRIPTION	COMMENTS	PART NUMBER	
	Log Set Assembly		LOGS-ESC42ST	Y
1	Log 1		SRV2146-701	
2	Log 2		SRV2146-702	
3	Log 3		SRV2146-703	
4	Log 4		SRV2146-704	
5	Log 5		SRV2146-705	
6	Log 6		SRV2146-706	
7	Log 7		SRV2146-707	
8	Log 8		SRV2146-708	
9	Light Box Mesh Assembly	Qty 2 req	2146-016	
10	Non-combustible Board	Qty 2 req	2146-051	
11	Finishing Strips	Qty 6 req	2146-129	
12	Glass Door Assembly	Qty 2 req	GLA-ESC42ST	Y
13	Mesh Assembly	Qty 2 req	2146-031	Y
14	Log Grate		2146-015	
15	Light Assembly Accent	35"	2146-013	
16	Light Assembly Accent	17"	2146-014	
17	Light Assembly, Ember		2146-404	
18	Burner		2146-007	Y
19	Refractory Support	Qty 2 req	2146-152	
20	Light Wire Connectors		2146-407	
21	Refractory Panel - Outside Left	Qty 2 req	SRV2146-315	
22	Refractory Panel- Inside Side	Qty 2 req	SRV2146-311	
23	Refractory Panel- Outside Right	Qty 2 req	SRV2146-314	
24	Refractory Panel-Outside Bottom	Qty 2 req	SRV2146-316	
25	Refractory Panel-Inside Front	Qty 2 req	SRV2146-312	
26	Refractory Panel-Inside Middle	Qty 2 req	SRV2146-313	
	Access Plate, Junction Box		2146-169	
	Fiberglass Rope		060-455	
	Flue Restrictor		2146-158	
	Mineral Wool		050-721	
	Teco-Sil, 5lb. Bag White Ember Bed Rock		700-790	
	Touch Up Paint		TUP-GBK-12	
	Twig Center		SRV582-707	
	Vermiculite Embers		MYSTIC-EMBERS	

Additional service part numbers appear on following page.

No one builds a better fire

Beginning Manufacturing Date: Dec 2008
Ending Manufacturing Date: Active

#27 Valve Assembly Pre SN 0022120860



IMPORTANT: THIS IS DATED INFORMATION. When requesting service or replacement parts for your appliance please provide model number and serial number. All parts listed in this manual may be ordered from an authorized dealer.

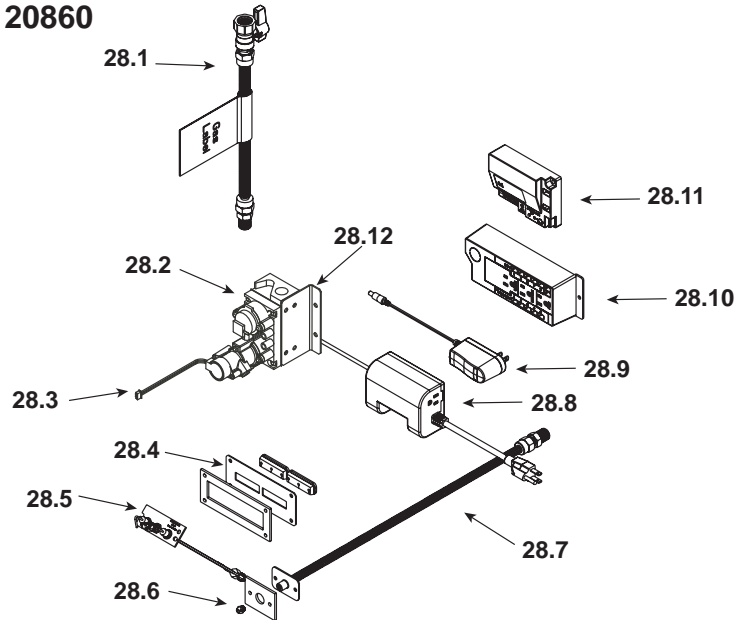


Stocked at Depot

ITEM	DESCRIPTION	COMMENTS	PART NUMBER	
27.1	Flex Ball Valve Assembly		302-320A	Y
27.2	Valve NG		750-500	Y
	Valve LP		750-501	Y
27.3	Pilot Assembly NG		2146-020	Y
	Pilot Assembly LP		2146-021	Y
27.4	Burner Orifice (#24C) NG		582-824	Y
	Burner Orifice (#44C) LP		582-844	Y
27.5	Solenoid	No longer available	2101-029	
27.6	Bulb, Halogen, Accent	Qty 2 req	2088-136	Y
27.7	Bulb, Halogen, Ember	Qty 4 req	2146-540	Y
27.8	Wire, Wall Switch		2095-550	Y
27.9	Flexible Gas Connector		2005-009	Y
27.10	Wire Assembly		593-590A	Y
27.11	Module		593-592	Y
27.12	Remote	No longer available	2101-025	
27.13	Cable Assembly		2101-027	
27.14	Junction Box		4021-013	Y
	Wall Control Assembly Upgrade		WSK-MLT-GLX	Y
	Conversion Kit NG		NGK-ESC42ST	Y
	Conversion Kit LP		LPK-ESC42ST	Y
	Pilot Orifice (NG)		593-528	Y
	Pilot Orifice (LP)		593-527	Y
	Regulator (NG)		NGK-DXV	Y
	Regulator (LP)		LPK-DXV	Y

Additional service part numbers appear on following page.

#28 Valve Assembly Post SN 0022120860



IMPORTANT: THIS IS DATED INFORMATION. When requesting service or replacement parts for your appliance please provide model number and serial number. All parts listed in this manual may be ordered from an authorized dealer.



Stocked at Depot

ITEM	DESCRIPTION	COMMENTS	PART NUMBER	Stocked at Depot
28.1	Flex Ball Valve Assembly		302-320A	Y
28.2	Valve NG		2166-302	Y
	Valve LP		2166-303	Y
28.3	Wire Harness		2166-304	Y
28.4	Side Panel Bracket		2146-150	
28.5	Pilot Assembly NG		2146-020	Y
	Pilot Assembly LP		2146-021	Y
28.6	Burner Orifice (#24C) NG		582-824	Y
	Burner Orifice (#44C) LP		582-844	Y
28.7	Flexible Gas Connector		2005-009	Y
28.8	Aux RC300		2166-335	Y
28.9	DC Regulator		2166-305	Y
28.10	Junction Box		4021-013	Y
28.11	Module		2166-306	Y
28.12	Valve Bracket		2146-192	
	Remote		2166-330	Y
	Conversion Kit NG		NGK-ESC42ST-B	Y
	Conversion Kit LP		LPK-ESC42ST-B	Y
	Pilot Orifice (NG)		593-528	Y
	Pilot Orifice (LP)		593-527	Y
	Regulator (NG)		NGK-DXV-50	Y
	Regulator (LP)		LPK-DXV-50	Y