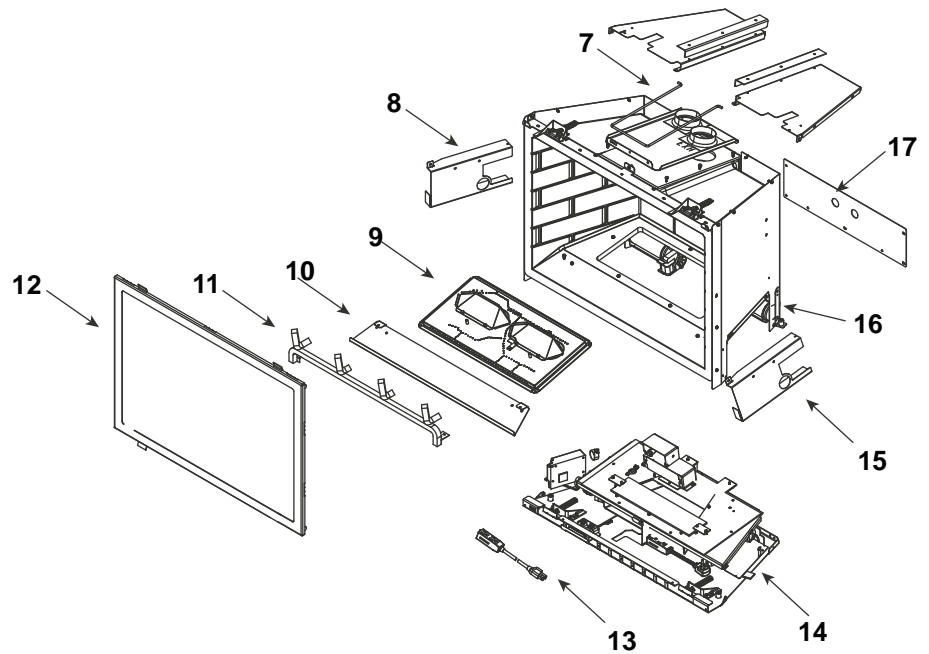
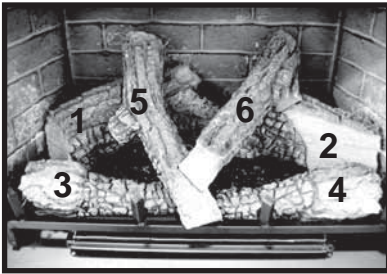


### Log Set Assembly



IMPORTANT: THIS IS DATED INFORMATION. When requesting service or replacement parts for your appliance please provide model number and serial number. All parts listed in this manual may be ordered from an authorized dealer.

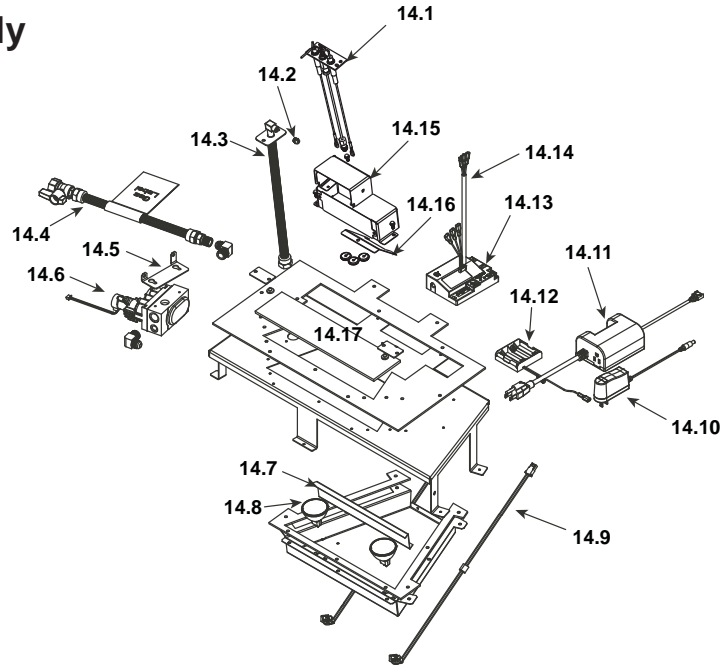


**Stocked at Depot**

ITEM	DESCRIPTION	COMMENTS	PART NUMBER	
	Log Assembly		LOGS-I35FB	Y
1	Log 1		SRV2202-702	
2	Log 2		SRV2202-701	
3	Log 3		SRV2202-704	
4	Log 4		SRV2202-703	
5	Log 5		SRV2202-705	
6	Log 6		SRV2202-706	
7	Termination Plate Assembly		2202-012	
	Gasket, Termination Plate		2201-401	
	Slide Plate Handle		2019-201	
8	Module Bracket		2201-137	
9	Burner Assembly		2202-009	Y
10	Media Tray		2201-112	
11	Grate Assembly		2202-016	
12	Glass Door Assembly		GLA-2202	Y
13	Power Cord Assembly		2201-024	Y
14	Valve Assembly		<b>Refer to valve page</b>	
15	Aux Bracket		2201-157	
16	RIV-NUT Bracket Assembly	Qty 2 req	2201-027	
17	Cover Plate, Back		2202-104	

Additional service part numbers on following page.

### #14 Valve Assembly



IMPORTANT: THIS IS DATED INFORMATION. When requesting service or replacement parts for your appliance please provide model number and serial number. All parts listed in this manual may be ordered from an authorized dealer.



**Stocked  
at Depot**

ITEM	DESCRIPTION	COMMENTS	PART NUMBER	
14.1	Pilot Assembly NG		2202-013	Y
	Pilot Assembly LP		2202-014	Y
14.2	Burner Orifice NG (#31C)		582-831	Y
	Burner Orifice LP (#49C)		582-849	Y
14.3	Flex Assembly		383-302A	Y
14.4	Flex Ball Valve Assembly		2201-108	Y
14.5	Valve Bracket		2202-108	
14.6	Valve NG		2166-302	Y
	Valve LP		2166-303	Y
14.7	Air Passage Divider		2201-144	
14.8	Ember Bulb	Qty 2 req	2201-150	Y
14.9	Light Wire Assembly		2201-011	Y
14.10	Power Supply		2166-345	Y
14.11	Auxiliary Box		2166-335	Y
14.12	Battery Pack		2166-323	Y
14.13	Module		2166-307	Y
14.14	Wire Assembly		2201-304	Y
14.15	Pilot Bracket		2201-025	
14.16	Air Scoop		2201-156	
14.17	Ember Glass		2201-115	Y

\*\*Fuse for battery pack can be sourced locally, not a warranty item. Specs are 500mA~10A 3/4" long

Additional service part numbers on following page.

