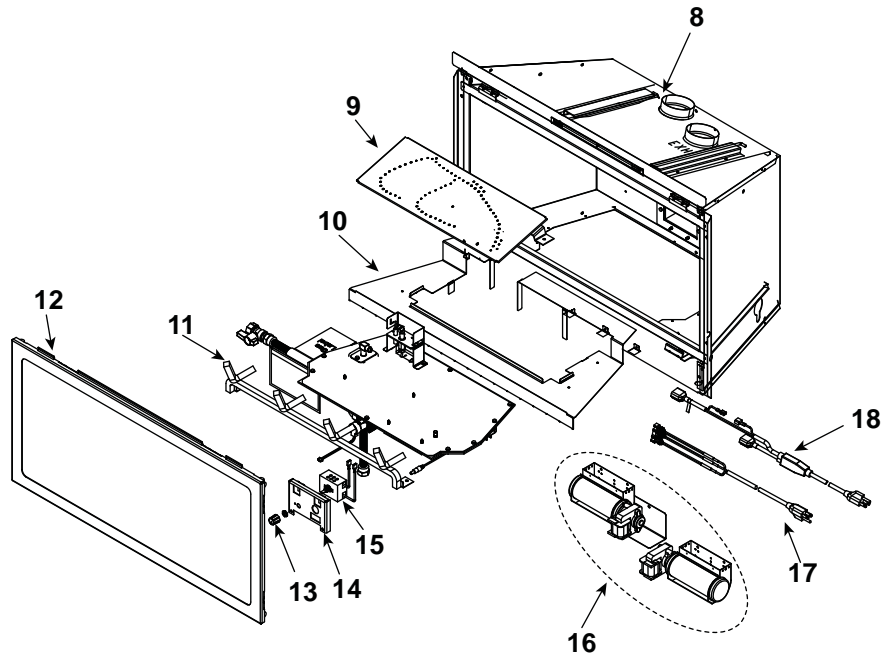


Log Set Assembly



IMPORTANT: THIS IS DATED INFORMATION. When requesting service or replacement parts for your appliance please provide model number and serial number. All parts listed in this manual may be ordered from an authorized dealer.

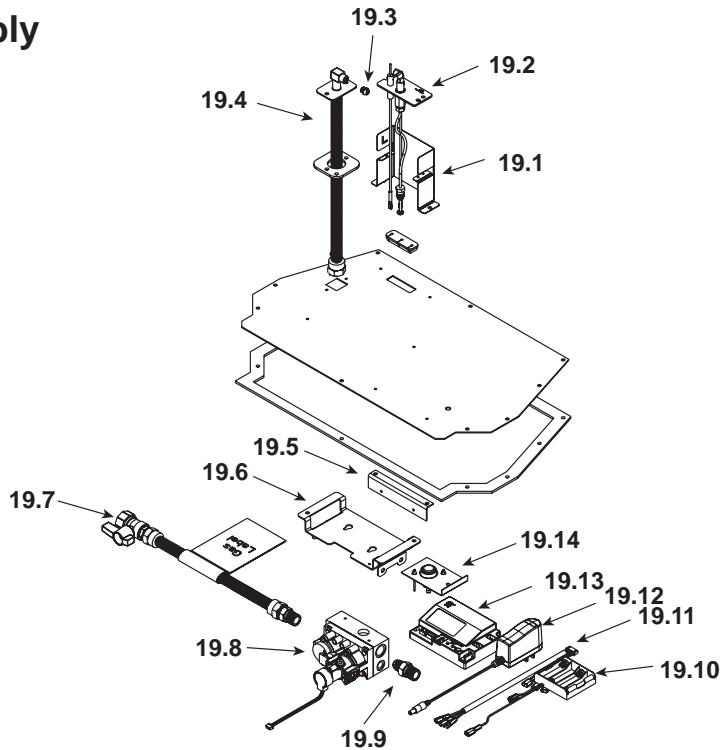


Stocked at Depot

ITEM	DESCRIPTION	COMMENTS	PART NUMBER	Stocked at Depot
	Log Assembly		LOGS-I35	Y
1	Log 1		SRV2205-702	
2	Log 2		SRV2205-701	
3	Log 3		SRV2205-705	
4	Log 4		SRV2205-704	
5	Log 5		SRV2205-710	
6	Log 6		SRV2205-706	
7	Log 7		SRV2205-703	
8	Termination Plate Assembly		2205-012	
	Flex Pipe Handle		438-351	
	Gasket		2206-401	
9	Burner Assembly		2205-007	Y
10	Base Pan		2205-106	
11	Grate Assembly		2205-016	
12	Glass Door Assembly		GLA-2205	Y
13	Rheostat Knob		100-512	Y
14	Control Panel		2205-129	
15	On/Off Rheostat		2206-800	Y
16	Blower Assembly		GFK-210-C	
17	Power Cord Assembly		2206-068	Y
18	Cord Assembly		2201-017	Y

Additional service part numbers appear on following page.

#19 Valve Assembly



IMPORTANT: THIS IS DATED INFORMATION. When requesting service or replacement parts for your appliance please provide model number and serial number. All parts listed in this manual may be ordered from an authorized dealer.



Stocked at Depot

ITEM	DESCRIPTION	COMMENTS	PART NUMBER	
19.1	Pilot Bracket		2206-105	
19.2	Pilot Assembly NG		2198-014	Y
	Pilot Assembly LP		2198-015	Y
19.3	Orifice NG (#33C)		582-833	Y
	Orifice LP (#50C)		582-850	Y
19.4	18" Flex Tube Assembly		530-302A	Y
19.5	Bracket, Control Panel		2205-128	
19.6	Valve Bracket		2205-146	
19.7	Flex Ball Valve Assembly		302-320A	Y
19.8	Valve NG		2166-302	Y
	Valve LP		2166-303	Y
19.9	Brass Connector	Pkg of 5	303-315/5	Y
19.10	Battery Pack**		2166-323	Y
19.11	Wire Harness		2166-304	Y
19.12	Power Supply		2166-305	Y
19.13	Module		2166-307	Y
19.14	Temp Sensor Assembly		046-018A	Y

**Fuse for battery pack can be sourced locally, not a warranty item. Specs are 500mA~10A 3/4" long

Additional service part numbers appear on following page.

