

Non-Catalytic, Top-Load, Wood Stove

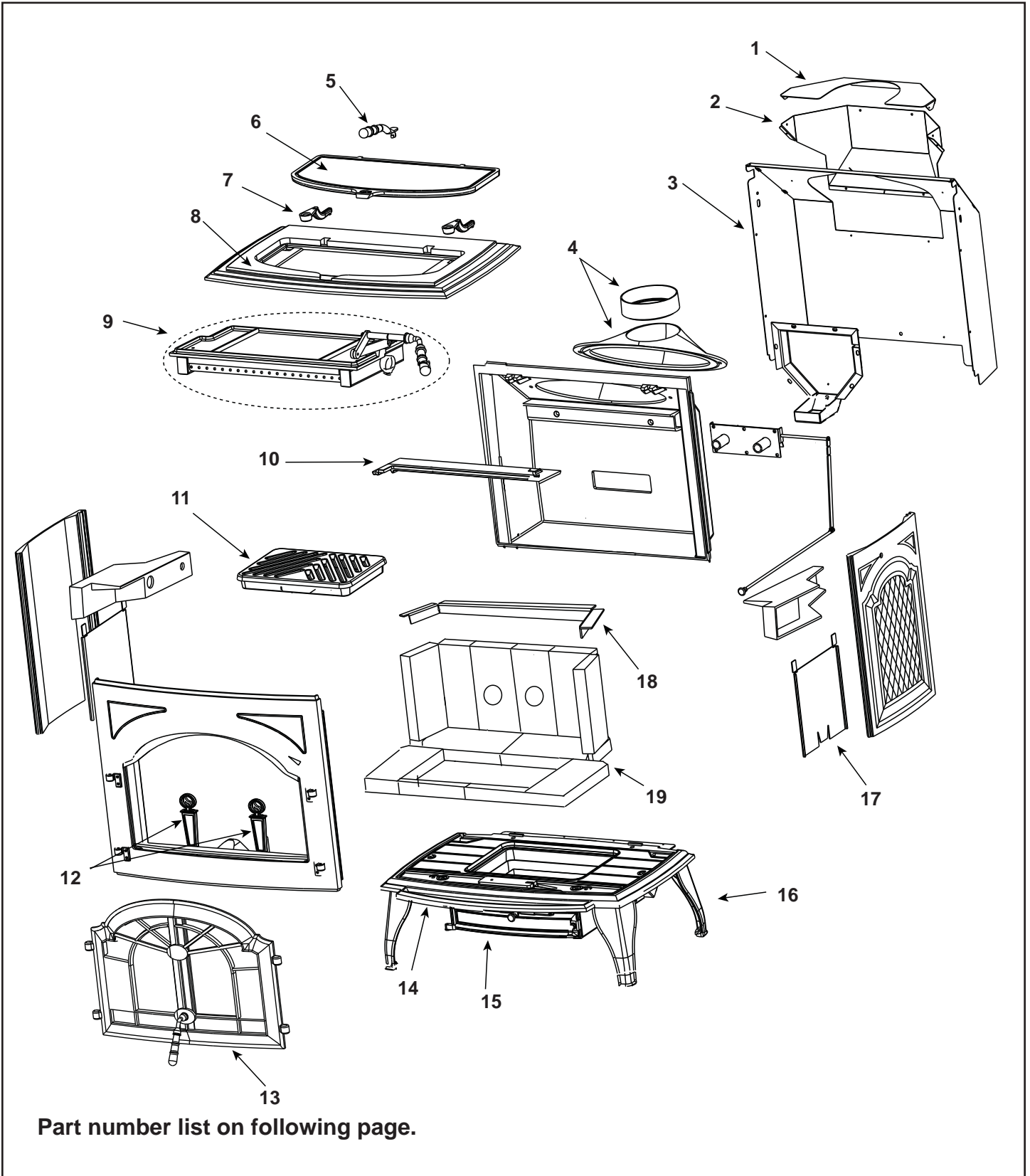
Beginning Manufacturing Date: Sept. 2000

Ending Manufacturing Date: Active

823-0170 Matte Black (9-00 to Active), 823-0290 Porcelain Mahogany (2-02 to Active)

823-0180 Porcelain Black (10-00 to 4-02), 823-0200 Porcelain Green (10-00 to 3-05), 823-0210 Porcelain Blue (10-00 to 4-02)

823-0300 Porcelain Midnight Blue (4-02 to 3-03), 23-0301 Porcelain Midnight Blue (6-03 to 8-05)



Part number list on following page.

Beginning Manufacturing Date: Sept. 2000
Ending Manufacturing Date: Active

IMPORTANT: THIS IS DATED INFORMATION. When requesting service or replacement parts for your appliance please provide model number and serial number. All parts listed in this manual may be ordered from an authorized dealer.



**Stocked
at Depot**

ITEM	DESCRIPTION	COMMENTS	PART NUMBER	
1	Flue Shield Top		434-0670	
2	Flue Shield Bottom		434-0680	
3	Rear Shield		434-0500	
4	Flue Transition Assembly		7006-019	
5	Griddle Tool		834-4000	Y
	Fiber Handle		SRV433-1380	Y
6	Griddle		834-4190	
7	Griddle Hinge Stop		434-0440	
8	Top Plate - Must Specify	Black	434-0050MBK	
		Mahogany	832-3380	
	Gasket, Rope, 1/4", Field Cut to Size	10 Ft	834-1460	Y
<p>#9 Baffle Assembly</p>				
9	Baffle Assembly		SRV434-5010	Y
9.1	Baffle, Cast		434-0110	
9.2	Baffle Control Cam		434-0080	
9.3	Lever, Baffle		434-0100	
9.4	Handle, Baffle	Gold	834-4080	
		Nickel	7000-114	
9.5	Fiberboard, Baffle		434-0650	Y
9.6	Baffle Repair Kit - Left & Right Manifold Chambers		834-4040	
9.7	Manifold Tube Set		832-3360	Y
	Manifold Clip/Screws	Pkg of 4	832-0661	Y
10	Baffle Back Plate		434-0370	
11	Grate		834-4100	
12	Andirons w/Brackets Assembly		844-8980	Y
	Andiron	Qty. 2 req	434-0450	
	Andiron Brackets, Pair		832-3610	

Additional service part numbers appear on following page.

IMPORTANT: THIS IS DATED INFORMATION. When requesting service or replacement parts for your appliance please provide model number and serial number. All parts listed in this manual may be ordered from an authorized dealer.



**Stocked
at Depot**

ITEM	DESCRIPTION	COMMENTS	PART NUMBER	
#13 Door Assembly				
13.1	Door, Left - Must specify color	Black	844-9640	
		Mahogany	844-9650	
	Gasket, Door, 1/2"	10 Ft.	834-4170	Y
13.2	Handle, Replacement Kit	Gold	834-3850GD	
		Nickel	834-3850NL	
13.3	Fiber Handle		SRV433-1380	Y
13.4	Key, Cam Latch		430-1151	
13.5	Cam Latch		32084	
13.6	Door, Right - Must specify color	Black	844-9680	
		Mahogany	844-9690	
	Gasket, Door, 1/2", Field Cut to Size	10 Ft.	834-4170	Y
13.7	Hinge Pin	Gold (pkg of 2)	844-5750	Y
		Nickel (pkg of 2)	433-1590/2	Y
13.8	Glass Assembly - 12" H x 9-1/8" W x 8" H (short side)		434-5230	Y
	Gasket, Rope, 1/4", Field Cut to Size	10 Ft. Length	834-1460	Y
	Gasket, Lytherm, 1/2X1/8, Field Cut to Size	4.17 Ft. Length	834-2590	
13.9	Glass Tab Set	Pkg of 12	832-0380	
14	Ash Lip	Black	29125MBK	
		Mahogany	29125PMH	
15	Ash Door		SRV434-0300	
	Handle, Ash Removal System		472-5060	
16	Leg	Black	26404MBK	
		Mahogany	26404PMH	
17	Wear Plate		434-0640	
18	Brick Retainer		434-0460	Y

Additional service part numbers appear on following page.

Beginning Manufacturing Date: Sept. 2000
Ending Manufacturing Date: Active

IMPORTANT: THIS IS DATED INFORMATION. When requesting service or replacement parts for your appliance please provide model number and serial number. All parts listed in this manual may be ordered from an authorized dealer.



**Stocked
at Depot**

ITEM	DESCRIPTION	COMMENTS	PART NUMBER	
#19 Brick Assembly				
19	Brick Assembly - Complete Set	Pkg of 12	834-3860	Y
19.1	Brick, 9" x 4.5" x 1.25"	Qty. 2 Req.		
19.2	Brick, 7" x 1.25" x 1.25"	Qty. 2 Req.		
19.3	Brick, 9" x 4.5" x 1.25" with cut	Qty. 2 Req.		
19.4	Brick, 9" x 3.75" x 1.25"	Qty. 2 Req.		
19.5	Brick, 9" x 4.5" x 1.25" w/Hole	Qty. 2 Req.	SRV434-0620	Y
19.6	Brick, 5.25" x 3.5" x 1.25	Qty. 2 Req.		
19.7	Brick, 5.25" x 4.5" x 1.25"	Qty. 2 Req.		
19.8	Brick, 5.25" X 1.75" x 1.25"	Qty. 2 Req.		
	Brick, Uncut (Must specify size when ordering)	Pkg of 1	832-0550	
		Pkg of 6	832-3040	
	Ash Box Hinge		434-0310	
	Ash Pan		434-0330	
	Blower Cord w/ Speed Control		821-0110	Y
	Blower, Convection - Replacement Blower		812-4900	Y
	Bottom Air Channel		29134	
	Component Pack Assembly (Includes Owners Manual, Griddle Handle, Fiber Handle, Warranty Card & Touch-Up Paint)	Black	434-5160	
		Mahogany	434-5220	
	Control System Control Rod		31940	
	Cover Plate, Blower, Rear Vent		434-7060	
	Door Hinge, Left	Black	434-0470MBK	
		Mahogany	434-0470PMH	
	Door Hinge, Right	Black	434-0480MBK	
		Mahogany	434-0480PMH	
	Door/Air Control, Upgrade		834-3910	

Additional service part numbers appear on following page.

IMPORTANT: THIS IS DATED INFORMATION. When requesting service or replacement parts for your appliance please provide model number and serial number. All parts listed in this manual may be ordered from an authorized dealer.



**Stocked
at Depot**

ITEM	DESCRIPTION	COMMENTS	PART NUMBER	
	Fiberboard, Rear		434-0660	Y
	Knob	Pkg of 2	32284/2	Y
	Latch, Magnet		229-0631	
	Paint Touch-Up	Black	812-0910	
		Mahogany	855-1450	
	Speed Control Only (Rheostat)		842-0370	Y
	Tool Holder Assembly		434-5150	
ACCESSORIES				
	Blower Assembly		831-1701	
	Bracket w/Mitten Rod	Black	844-7970	Y
		Gold	844-7980	Y
	Firescreen		834-3610	
	Horizontal Flue Kit		834-3790	
	Cement, Furnace	3 oz Tube	210-0230	Y
	Outside Air Kit		831-1780	
	Front Cover		436-7000	
	Outside Air Shield		33271	Y
	Rear Channel		436-7020	
	Rear Cover Plate		436-7030	
	Side Channels		436-7010	
	Outside Air Collar Assembly		7033-039	
	Warming Shelves	Black	834-3531	
		Mahogany	834-4110	
FASTENERS				
	Avk Rivnut Repair Kit - 1/4-20 & 3/8-16 Rivnut Tools		RIVNUT-REPAIR	Y
	Bolt, Hex Head, 1/4-20 X 1	Pkg of 10	25221A/10	Y
	Bolt, Shoulder, 5/16 X 1/4-20	Pkg of 20	223-0170/20	Y
	Screw, Bh, 1/4-20 X 1.25	Pkg of 24	225-0630/24	Y
	Screw, Machine Screw 1/4-20 X 5/8	Pkg of 24	220-0440/24	Y
	Screw, Pan Head Philips 10-32 X 3/8	Pkg of 40	21799A/40	Y
	Screw, Pan Head Philips 8-32 X 3/8	Pkg of 40	225-0500/40	Y
	Screw, Sheet Metal #8 X 1/2 S-Grip	Pkg of 40	12460/40	Y
	Washer, 1/4 Sae	Pkg of 24	28758/24	Y
	Washer, Sae, 3/8	Pkg of 3	832-0990	Y
	Washer, Teflon	Pkg of 25	844-0460	Y