

Part number list on following page.

No one builds a better fire

Beginning Manufacturing Date: June 2009
Ending Manufacturing Date: Active

IMPORTANT: THIS IS DATED INFORMATION. When requesting service or replacement parts for your appliance please provide model number and serial number. All parts listed in this manual may be ordered from an authorized dealer.



**Stocked
at Depot**

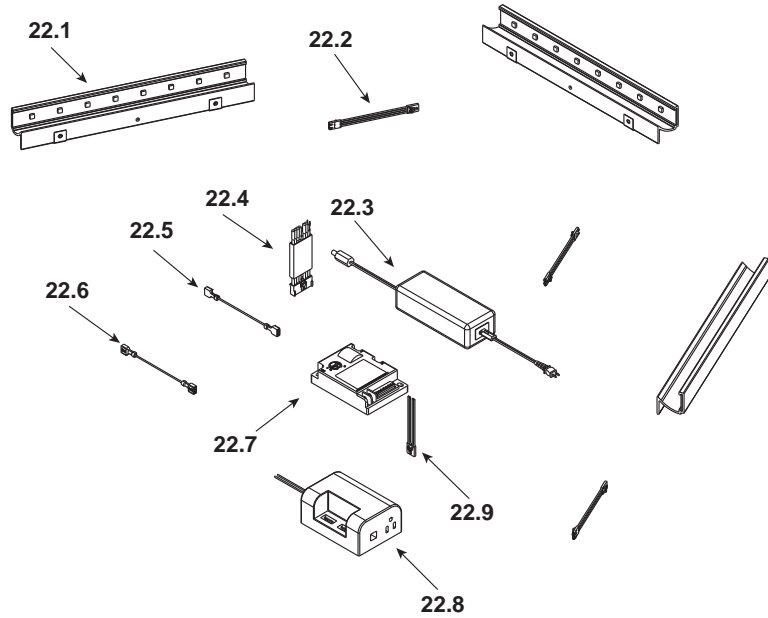
ITEM	DESCRIPTION	COMMENTS	PART NUMBER	
1	Front Shield		4051-114	
2	Glass Clip Assembly	Pkg of 2	33858/2	Y
3	Side Glass Latch Assembly	Qty 2 req	4051-003	Y
4	Pilot Shield		4062-120	
5	Reflector Panel, Right		4062-112	
6	Reflector Panel, Back		4062-114	
7	Reflector Panel, Left		4062-113	
8	Refractory		4062-201	
	Touch Up Paint, Refractory		4021-687	
9	Light Glass Assembly	Qty 3 req	4062-011	Y
10	Reflector Bottom Bracket	Qty 3 req	4062-118	
11	Light Box Frame Assembly	Qty 3 req	4062-012	
12	Tube Cover	Qty 2 req	4062-142	
13	Hearth Pan Wing	Qty 2 req	4062-124	
14	Glass Frame Assembly		SRV4062-017	Y
15	Hearth Pan		4062-102	
16	Tube Cover Back		4062-144	
17	Log Tube Assembly		4062-010	Y
18	Junction Box Radiation Shield		4047-128	
19	Junction Box		4021-013	Y
20	Junction Box Cover Plate		4031-222	
21	Intake Collar Assembly		4002-002	
	Non-combustible Board		4062-128	
	Touch Up Paint for black painted parts only		4021-110	
	Transmitter		4021-675	Y
	Solenoid		HTI-17-006	Y
	Conversion Kit NG		NGK-LUX60	Y
	Conversion Kit LP		LPK-LUX60	Y
	Actuator Pin		HTI-17-116	Y
	Pilot Orifice, NG		593-528	Y
	Pilot Orifice, LP		593-527	Y
	Regulator NG		NGK-DXV	Y
	Regulator LP		LPK-DXV	Y

Additional Service Parts on following page.

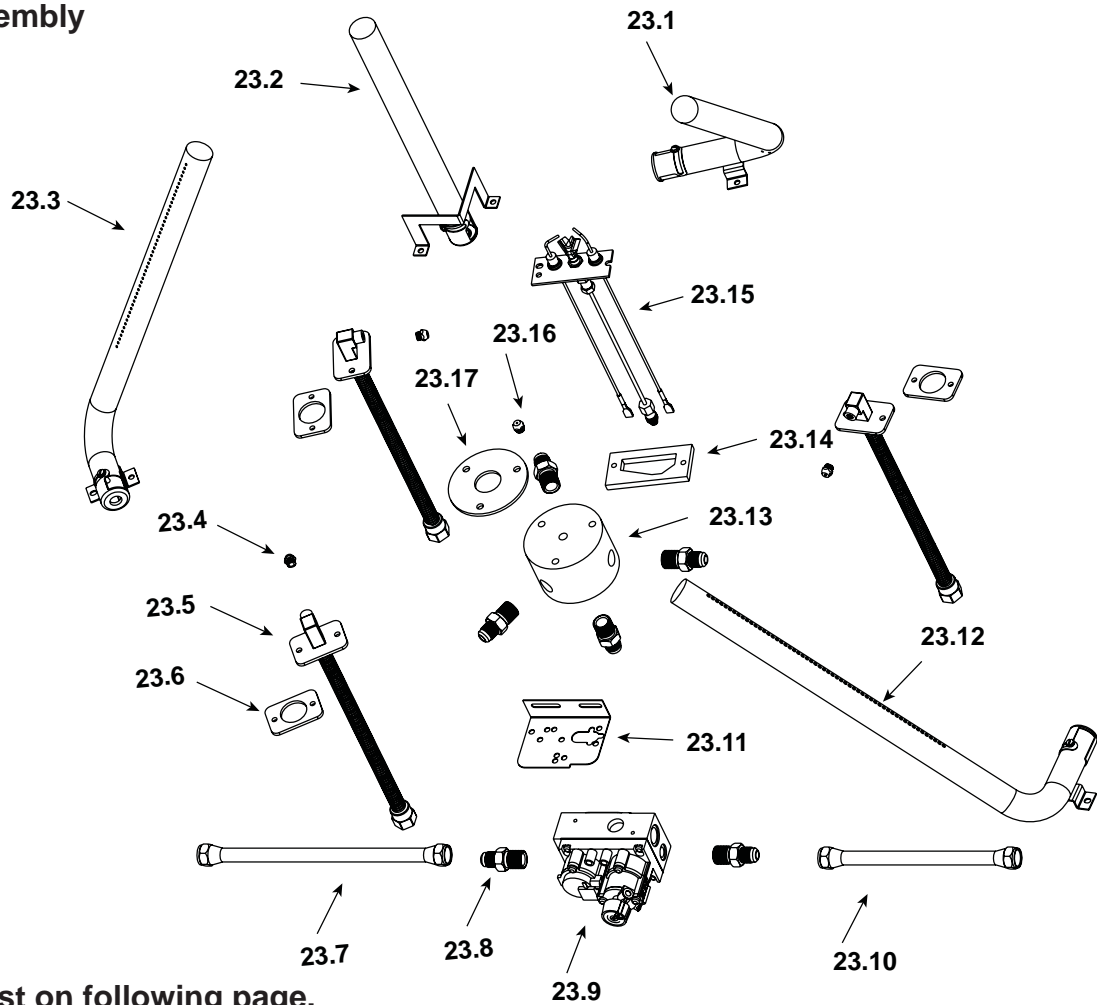
No one builds a better fire

Beginning Manufacturing Date: June 2009
Ending Manufacturing Date: Active

#22 Light Assembly



#23 Valve Assembly



Part number list on following page.

No one builds a better fire

Beginning Manufacturing Date: June 2009
Ending Manufacturing Date: Active

IMPORTANT: THIS IS DATED INFORMATION. When requesting service or replacement parts for your appliance please provide model number and serial number. All parts listed in this manual may be ordered from an authorized dealer.



**Stocked
at Depot**

ITEM	DESCRIPTION	COMMENTS	PART NUMBER	Stocked at Depot
22.1	Light Strip	Qty 3 req	4021-664	Y
22.2	Light Wire Assembly	Qty 3 req	4021-669	Y
22.3	12V DC/6A Power Supply		4021-676	Y
22.4	Wire Assembly		593-590A	Y
22.5	White Wire Assembly FF 24 in		4021-672	Y
22.6	Black Wire Assembly MF 18 in		4021-673	Y
22.7	Module		593-592	Y
22.8	Control Module		4021-674	Y
22.9	Wire Assembly		4021-670	Y
Valve Assembly				
23.1	Burner Tube, Back		4062-156	Y
23.2	Burner Tube Assembly, Center		4062-157	Y
23.3	Burner Tube, Left		4062-155	Y
23.4	Orifice NG (#44C)	Qty 3 req	582-844	Y
	Orifice LP (#56C)	Qty 3 req	582-856	Y
23.5	Bulkhead	Qty 3 req	4021-428	Y
23.6	Bulkhead, Gasket	Qty 3 req	4021-429	
23.7	Flex Tube, Stainless 22 in		7000-197	Y
23.8	Male Connector	Pkg of 5	303-315/5	Y
23.9	Valve NG		750-500	Y
	Valve LP		750-501	Y
23.10	Flex Gas Line, 10 in		15696B	Y
23.11	Valve Bracket		31824	
23.12	Burner Tube, Right		4062-154	Y
23.13	Manifold		4062-160	Y
23.14	Pilot Gasket		4021-042	
23.15	Pilot Assembly NG		2090-012	Y
	Pilot Assembly LP		2090-013	Y
23.16	Orifice NG (#53C)		582-853	Y
	Orifice LP (#72C)		4021-681	Y
23.17	Manifold Gasket		4062-161	

Additional Service Parts on following page.

No one builds a better fire

Beginning Manufacturing Date: June 2009
Ending Manufacturing Date: Active

IMPORTANT: THIS IS DATED INFORMATION. When requesting service or replacement parts for your appliance please provide model number and serial number. All parts listed in this manual may be ordered from an authorized dealer.



**Stocked
at Depot**

ITEM	DESCRIPTION	COMMENTS	PART NUMBER	
#24 SSF-LUX60-BK		#25 SPL-LUX60-BK & SPL-LUX60-BKN		

SSF-LUX60-BK				
24.1	Surround Weld Assemnly		4062-204	
24.2	Inside Surround		4062-206	
24.3	Bolts pkg of 4	Pkg of 4	4021-643/4	Y
24.4	Screen Assembly. 42 in.		4062-006	Y
	Screws	Pkg of 12	31116/12	Y
SPL-LUX60-BK (touch up paint not available)				
25.1	Face Plate Left	Qty 2 req	4062-172	
25.2	Face Plate Right	Qty 2 req	4062-176	
SPL-LUX60-BKN (touch up paint not available)				
25.1	Face Plate Left	Qty 2 req	4062-171	
25.2	Face Plate Right	Qty 2 req	4062-175	
	Template, Surrounds		LUX60-TMPLT	
	Screws	Pkg of 40	12460/40	Y