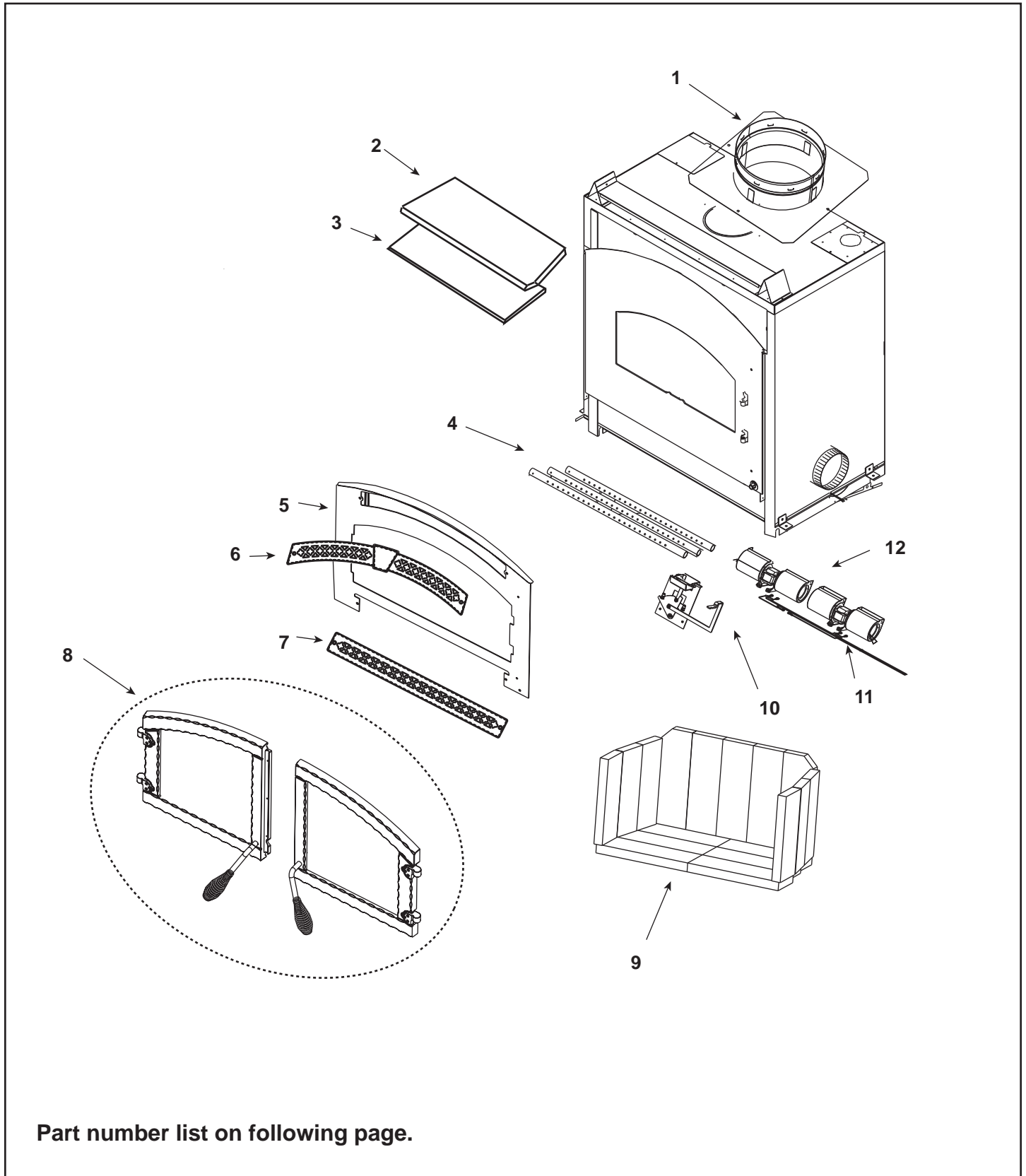


Northstar-BK, Black (Feb 2003-Active), Northstar-NT, Nickel (July 2004- Active)
Northstar-GD, Gold (May 2003 -Apr 2004), Northstar-GT, Gold Trim (July 2004-Sept 2007)



Part number list on following page.

No one builds a better fire

Beginning Manufacturing Date: Mar 2002
Ending Manufacturing Date: Active

IMPORTANT: THIS IS DATED INFORMATION. When requesting service or replacement parts for your appliance please provide model number and serial number. All parts listed in this manual may be ordered from an authorized dealer.



**Stocked
at Depot**

ITEM	DESCRIPTION	COMMENTS	PART NUMBER	
1	Starter Plate Assembly		SL1	
	8 in Starter Section		22069B	Y
#2 Ceramic Blanket				
2	Ceramic Blanket	Cut to drawing	832-3401	Y
3	Baffle, Fiberboard		SRV480-0510	Y
4	Manifold Tubes	Set of 3	TUBES-480	Y
	Manifold Clip Screws	Pkg of 4	832-0661	Y
5	Fascia, Plate only	Black Only	FASCIA-NS	
#6 Top Louver Assembly				
6	Louver Top Assembly	Black, No Trim	SRV480-7100	
		Gold	482-5320	
		Nickel	480-5380	
6.1	Nut, 8-32, Keps	Pkg of 40	226-0060/40	Y
6.2	Louver Trim, Upper	Gold	480-1710	
		Nickel	480-1830	
6.3	Louver Trim, Lower	Gold	480-1720	
		Nickel	480-1840	
#7 Bottom Louver Assembly				
7	Louver Bottom Assembly	Black, No Trim	SRV480-7090	
		Gold	450-5310	
		Nickel	480-5370	
7.1	Nut, 8-32, Keps	Pkg of 40	226-0060/40	Y
7.2	Louver Trim, Bottom	Gold	480-1700	
		Nickel	480-1820	

Additional service part numbers on following page.

No one builds a better fire

Beginning Manufacturing Date: Mar 2002
Ending Manufacturing Date: Active

IMPORTANT: THIS IS DATED INFORMATION. When requesting service or replacement parts for your appliance please provide model number and serial number. All parts listed in this manual may be ordered from an authorized dealer.



**Stocked
at Depot**

ITEM	DESCRIPTION	COMMENTS	PART NUMBER	
#8 Door Assembly				
8	Door Assembly, Black	Pre 0071533828	480-5010	
		Post 0071533828	SRV480-5460	
	Door Assembly, Nickel Trim	Pre 0071533825	480-5330	
		Post 0071533825	SRV480-5480	
	Door Assembly, Gold Trim	Pre 0071533825	480-5270	
		Post 0071533825	N/A	
	Door Gasketing, 1/2 in.	10 Ft	834-4170	Y
	Door Hinges, Right Hand	Pkg of 4	480-2110/4	Y
	Door Hinges, Left hand	Pkg of 4	480-2120/4	Y
	Washer, 3/8 SAE,	3 ea	832-0990	Y
8.1	Glass Assembly		480-5430	Y
	Glass Gasketing, 1/4 in	10 Ft	834-1460	Y
	Glass Frame Bottom		480-1450	
	Glass Frame Top		480-1440	
8.2	Handle Assembly		HANDLES-480	
	Includes 2 door handles, securing bracket, lock nut, latch cam key and cam latch			
	Cam Latch		32084	
	Cam Latch Key, 5/8 in		430-1151	
	Door Handle	Left	SRV480-0530	
		Right	SRV480-0520	
8.3	Spring Handle, 1/2" Gold	Pkg of 2	832-0620	Y
	Spring Handle, 1/2" Nickel	Pkg of 1	250-8330	Y
8.4	Door Trim Bottom, Left	Gold	480-1680	
		Nickel	480-1800	
8.5	Door Trim Bottom, Right	Gold	480-1670	
		Nickel	480-1790	
8.6	Door Trim Top, Left	Gold	480-1660	
		Nickel	480-1780	
8.7	Door Trim Top, Right	Gold	480-1650	
		Nickel	480-1770	
8.8	Door Trim Side	Gold	480-1690	
		Nickel	480-1810	

Additional service part numbers on following page.

No one builds a better fire

Beginning Manufacturing Date: Mar 2002
Ending Manufacturing Date: Active

IMPORTANT: THIS IS DATED INFORMATION. When requesting service or replacement parts for your appliance please provide model number and serial number. All parts listed in this manual may be ordered from an authorized dealer.



**Stocked
at Depot**

ITEM	DESCRIPTION	COMMENTS	PART NUMBER	
<div style="display: flex; justify-content: space-between;"> <div style="width: 20%;"> <p>#9 Brick Set</p> </div> <div style="width: 60%; text-align: center;"> </div> <div style="width: 20%;"></div> </div>				
9	Brick Set		BRICK-480	
9.1	Brick, 13-1/4" x 4-1/2" x 1-1/4"	Qty 5 req	SRV7000-306	
9.2	Brick, 13-1/2" x 4-1/2" x 1-1/4", With 1-1/2" Chamfer	Qty 2 req	480-2270	
9.3	Brick, 12" x 4-1/2" x 1-1/4"	Qty 8 req	480-2280	
9.4	Brick 12-1/2" x 4-1/2" x 1-1/4"	Qty 2 req	480-2290	
10	Timer Assembly		SRV480-5150	Y
	Gasket, Timer		480-1240	
	Timer		SRV480-1940	Y
	Screw, 8-32 x 1/2"	Pkg of 25	220-0030/25	Y
	Washer	Pkg of 25	227-0080/25	Y
11	Wiring Harness		SRV480-0990	Y
12	Fan Replacement		812-4900	Y
<div style="display: flex; justify-content: space-between;"> <div style="width: 30%;"> <p>Baffle Protection Channel</p> <p>Side view</p> </div> <div style="width: 60%;"> <p>Front, looking into unit →</p> <p>Ceramic blanket</p> <p>Fiber baffle</p> <p>Baffle protection Channel sits in between Front tube and Fiber baffle.</p> <p>This tab sits behind the front tube.</p> </div> </div>				
13	Baffle Protection Panel		480-2100	

Additional service part numbers on following page.

No one builds a better fire

Beginning Manufacturing Date: Mar 2002
Ending Manufacturing Date: Active

IMPORTANT: THIS IS DATED INFORMATION. When requesting service or replacement parts for your appliance please provide model number and serial number. All parts listed in this manual may be ordered from an authorized dealer.



**Stocked
at Depot**

ITEM	DESCRIPTION	COMMENTS	PART NUMBER	
	Chimney Air Kit		CAK4A	
	Face Board Assembly, Non-combustible board		480-5440	Y
	Facia Template		HHT-Template	
	Fan Speed Control		SRV7000-143	Y
	Fire Screen		MESH-HHT	Y
	Header Shield		480-1130	
	Hearth Strip		18320	
	Knob Black		7000-246	Y
	Latch Magnet		229-0631	
	Light Switch		480-1260	
	Light Switch Cover Plate		480-1270	
	Lintel Bar		LINTELBAR-HHT	
	Manual Bag Assembly, Includes owner's manual, 2 spring handles-1/2 in, 1 spring handle-1/4 in, fan switches & cover plate, warranty card	Black or Gold	SRV480-1140	
		Nickel	SRV480-1950	
	Outer Can cover Plate		480-1300	
	Outside Air Hood 6"		4059-051	
	Outside Air Term Cap 6"		480-1160	
	Outside Air Shield		33271	Y
	Panel, Blower Access		433-0450	
	Slider Control Assembly		480-5410	
	Snap Disc Bracket		410-2521	
	Snap Disc, F220-160f		SRV480-1730	Y
	Spring Handle, 1/4 in, Black	Pkg of 1	SRV7000-613	Y
	Spring Handle, 1/2 in, Black	Pkg of 1	SRV7000-614	Y
	Spring Handle, 1/4 in, Gold	Pkg of 2	832-0630	Y
	Spring Handle, 1/4 in, Nickel	Pkg of 1	250-8340	Y
	Stand Off, Top		480-1040	
	Touch Up Paint	Black	812-0910	
	Unit Collar		659-125	
Fastener Packs				
	AVK Repair Kit 1/4-20		RIVNUT-REPAIR	Y
	Screw, 1/4-20 x 5/8	Pkg of 24	220-0440/24	Y
	Screw, HWH MS 1/4-20 x 3/4	Pkg of 25	220-0080/25	Y
	Screw, PH 8-32 x 1/2	Pkg of 25	220-0030/25	Y
	Washer, 1/4 SAE	Pkg of 24	28758/24	Y