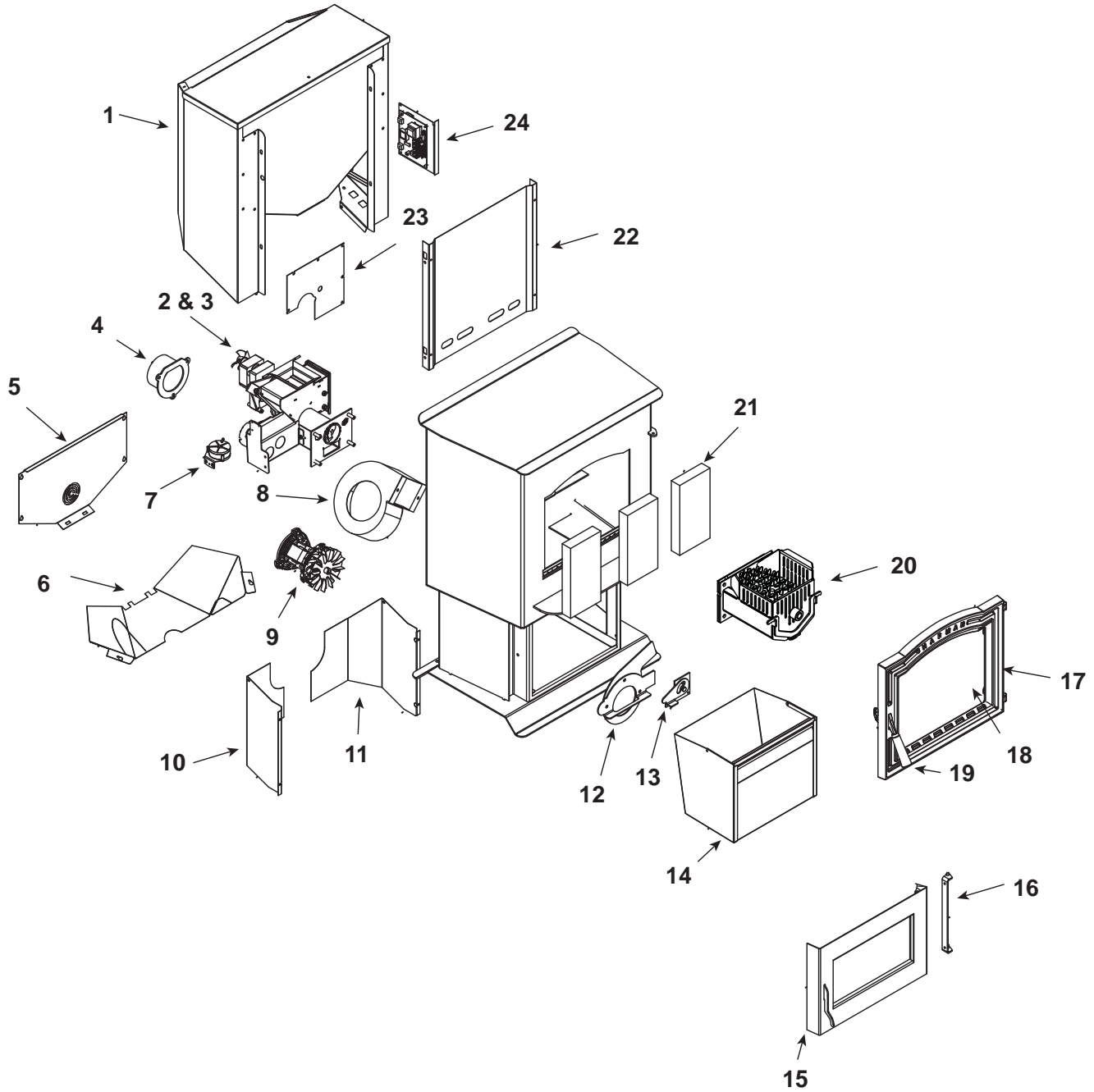


1-90-06800-2 (Charcoal) (June 2011)  
 1-90-06800-3 (Goldenfire) (June 2011)  
 1-90-06800-4 (Metallic Blue) (Jan 2010)

**Retired Units**

1-90-06800-5 (Honey Glo) (June 2009)  
 1-90-06800-10 (Mojave Red) Jan 2010  
 1-90-06800-12 (Forest Green) (Jan 2010)



Part number list on following page.

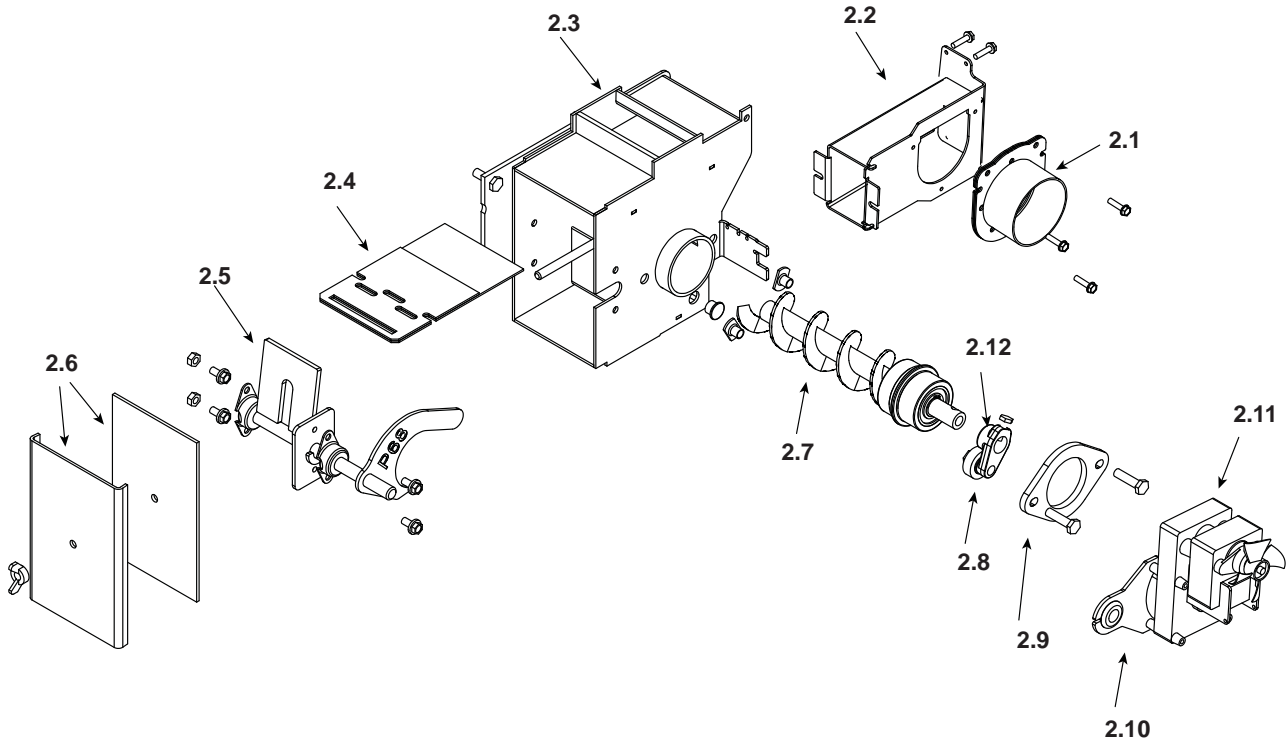
IMPORTANT: THIS IS DATED INFORMATION. When requesting service or replacement parts for your appliance please provide model number and serial number. All parts listed in this manual may be ordered from an authorized dealer.



**Stocked  
at Depot**

ITEM	Description	COMMENTS	PART NUMBER	
1	Hopper Assembly	Pre 008055950	1-10-08622	Y
		Post 008055950	1-10-09685A	Y

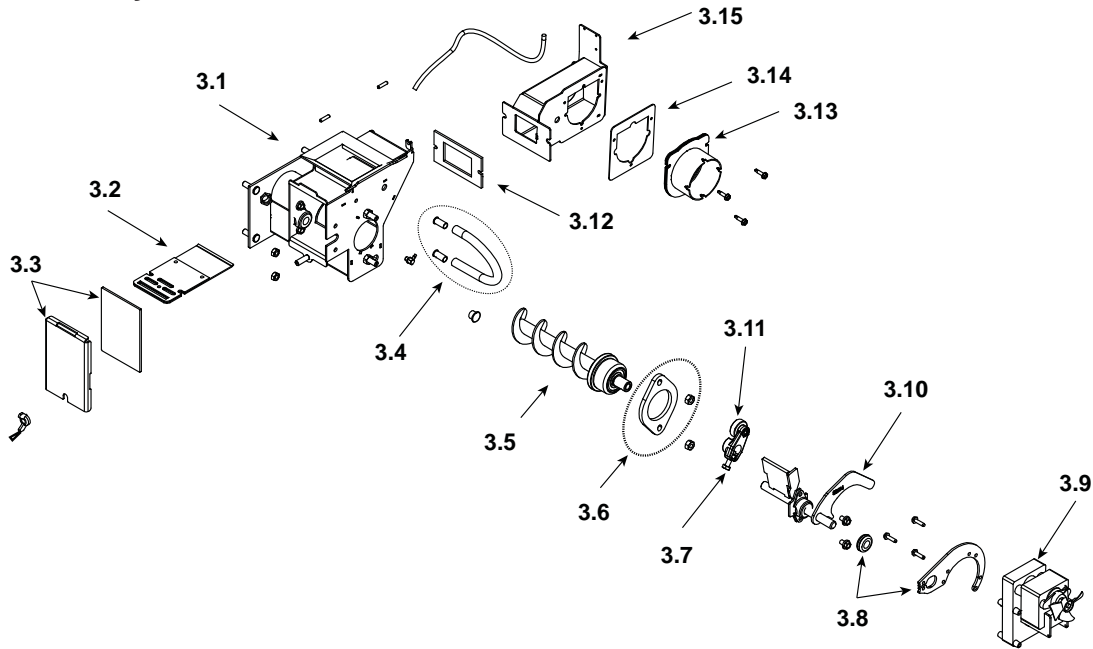
### #2 Feeder Assembly Pre SN #008055950



2	Feeder Assembly		1-10-724129A	
2.1	Air Intake Damper		1-10-06466W	
2.2	Air Intake Weldment		1-10-06461	
2.3	Feeder Weldment		1-10-724128	
2.4	Slide Plate Assembly		1-10-08037	Y
2.5	Pusher Arm Assembly		1-10-08535	Y
2.6	Feed Cover and Gasket	2 Sets	1-00-677152	Y
2.7	Auger Assembly		3-50-00465	Y
2.8	Cam Bearing		3-31-3014	Y
2.9	Bearing Flange w/Hardware		1-00-04035	Y
2.10	Bracket, Gear Motor	Pkg of 2	1-00-01534	Y
2.11	Gear Motor, 4 RPM		3-20-60906	Y
2.12	Feeder Cam Block		3-00-00153	Y
	Feeder Air Crossover Kit		1-00-67900	Y
	9 mm Silicone Tubing	5 FT	1-00-511427	Y
	Gasket, Feeder, Air Intake	Pkg of 6	3-44-72224-6	Y

Additional service parts on following page.

### #3 Feeder Assembly Post SN #008055950



IMPORTANT: THIS IS DATED INFORMATION. When requesting service or replacement parts for your appliance please provide model number and serial number. All parts listed in this manual may be ordered from an authorized dealer.



**Stocked  
at Depot**

3	Feeder Assembly		1-10-73505A	
3.1	UL Feeder Body		1-10-73504	
3.2	Slide Plate Assembly		1-10-677121A	Y
3.3	UL Feeder Cover And Gasket	2 Sets	1-00-677122	Y
3.4	Feeder Air Crossover Kit		1-00-67900	Y
	9MM Silicone Tube	5 FT	1-00-511427	Y
3.5	UL Feeder Auger Assembly		3-50-00665	Y
3.6	Bearing Flange w/Hardware		1-00-04035	Y
3.7	UL Cast Cam Block		3-00-677154	Y
3.8	UL Motor Mount W/Grommet		1-00-247406	Y
3.9	Pellet Feeder CW Motor, 4RPM	2 Sets	3-20-60906	Y
3.10	UL Feeder Pusher Arm		1-10-677187W	Y
3.11	Bearing Cam Block		3-31-3014	Y
3.12	Gasket Ultra Air Intake	Pkg of 10	3-44-677160-10	Y
3.13	Pellet Air Intake Assembly		1-10-06810A	
3.14	Gasket Feeder Air Intake	Pkg of 6	3-44-72224-6	Y
3.15	UL Feeder Air Intake		1-10-72222	
4	Flue Tail Pipe		3-00-247237	Y
5	Auger Motor Cover		2-00-02676P	Y
6	Auger Motor Shield		2-00-06467P	Y

Additional service parts on following page.

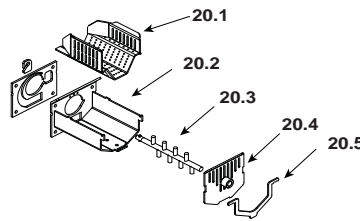
IMPORTANT: THIS IS DATED INFORMATION. When requesting service or replacement parts for your appliance please provide model number and serial number. All parts listed in this manual may be ordered from an authorized dealer.



**Stocked  
at Depot**

ITEM	Description	COMMENTS	PART NUMBER	
7	Differential Switch		3-20-6866	Y
8	Distribution Blower		3-21-22647	Y
9	Combustion Blower		3-21-08639	Y
10	Rear Cover Left		2-00-06468-1P	Y
11	Rear Cover Right		2-00-06468-2P	Y
12	Combustion Intake Weldment. For Corn/Grain		1-10-02677W	Y
	Combustion Intake Weldment, For burning Pellet		1-10-08516S	Y
13	Retainer Assembly, for Combustion Intake Weldment		1-10-08533S	Y
14	Ash Pan		1-10-05800	Y
15	Ash Door Assembly		1-10-06724S	
16	Bolt on Hinge Weldment		2-00-06952B	
17	Cast Door Frame		4-00-06800P	
18	Glass Panel		3-40-950133125	Y
	Glass Clip w/Hardware, (Pkg of 4)	Pre 00855001	1-00-773862	
		Post 00855001	1-00-249140	Y
19	Door Handle Assembly	Pre 1529	1-00-08704	Y
		Post 1529	1-00-453001	Y
	Wooden Handle w/Hardware, Load Door	2 Sets	1-00-00247	Y

### #20 Burn Pot



20	Burn Pot			
20.1	Burn Pot Grate Weldment	Large Hole	1-10-724108	Y
		Small Hole	1-10-724208	
20.2	Burn Pot Housing Weldment		1-10-724103	
20.3	Auger Extension		3-00-02676	Y
20.4	Burn Pot Front Plate	Pkg of 2	2-00-724107-2	Y
			2-00-724111-3	
20.5	Burn Pot Front Plate Lock	Pkg of 5	2-00-724105-5	Y
			2-00-724205	Y
21	Fire Brick 4-1/2 x 9 x 1-1/4"	Pkg of 7	1-00-900450125	Y
22	Hopper Heat Shield		2-00-06471B	
23	Feeder Cover		2-00-773826L	
24	Circuit Board		1-00-05887	Y
			1-10-02678	
	Circuit Board Plate, Studded w/Label		1-10-02678	
	Knob, Control Board/D-Shaft	25 Sets	1-00-015605	Y

Additional service parts on following page.

IMPORTANT: THIS IS DATED INFORMATION. When requesting service or replacement parts for your appliance please provide model number and serial number. All parts listed in this manual may be ordered from an authorized dealer.



**Stocked  
at Depot**

ITEM	Description	COMMENTS	PART NUMBER	
<b>#25 Burn Pot Gasket Placement</b>				
25	Gasket Placement			
25.1	Gasket, Pellet Burn Pot/Tailpipe	Pkg of 5	1-00-07381	Y
25.2	Gasket, Ceramic Insert Plate	Pre 008055950	3-44-724114	Y
25.3	Insert Plate, Ceramic	Pre 008055950	2-00-724104	Y
	Insert Plate, Non-Ceramic	Post 008055950	2-00-73545L	Y
25.4	Insert, Ceramic	Pre 008055950	3-20-05238-10	Y
25.5	Gasket, Burn Pot	Pre 008055950	3-44-724115	Y
	Air Pump		3-20-02679	Y
	Air Pump Filter & Fittings		1-00-02679	Y
	Air Pump Mounting Kit (does not contain air pump)	Pre SN 008055762	1-00-724209	Y
	Air Pump Rebuild Kit		1-00-724135	Y
	Arrow Burn Pot Scraper	Pkg of 10	2-00-773850-10	
	Diagnostic Display Module		3-20-05401	Y
	Draft Meter Assembly		1-00-00637	Y
	Fan Blade, 5" Single Paddle (Combustion Blower)		3-20-40985	Y
	Fuse, 6 Amp	Pkg of 5	3-20-49447-5	Y
	Gasket, 1/4" Rope Black W/PSA (Glass)	15 Ft	1-00-2312	Y
	Gasket, 3/8" Rope White LD (Ash Door or Load Door)	30 Ft	1-00-00888	Y
	Gasket, Hopper	10 Ft	1-00-00248	Y
	Hopper Lid W/Hinge		1-10-09109	Y
	Igniter		3-20-00450	Y
	Igniter Barb Fitting	<b>No longer available</b>	3-10-724203	
	Igniter Mounting Bracket		2-00-724121B	Y
	Latch, Swell/Hopper and Spacer		1-00-199110	Y
	Rubber spacers	Pkg of 10	3-31-901311-10	
	Outside Air Vent		1-10-09542	
	Power Cord		3-20-39685	Y
	Room Sensor		3-20-00906	Y
	Rubber Feet, Air Pump	Pkg of 4	3-20-02679-4	
	Thermister Probe (ESP Probe)	Pre 008055031	3-20-11744	Y
		Post 008055031	3-20-00844	Y
	Touch up Paint, Black	12 oz Can	3-42-1990	
	Wiring Harness, Main		3-20-02680	
	Wiring Harness, Neutral		3-20-02681	