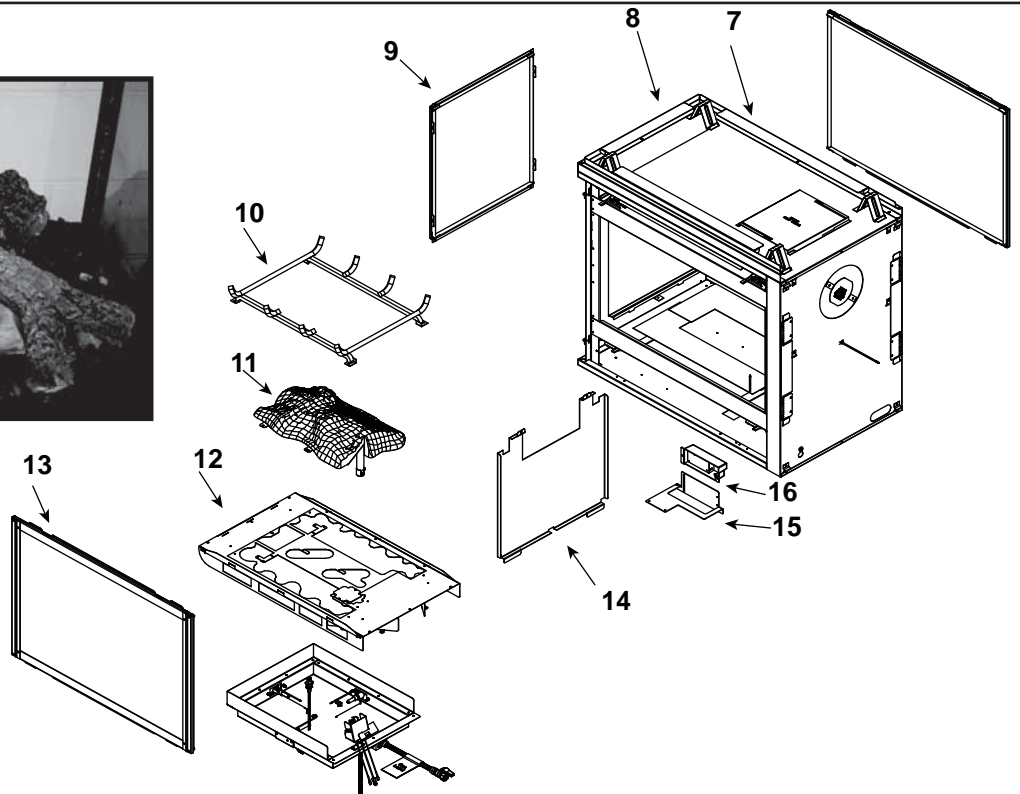
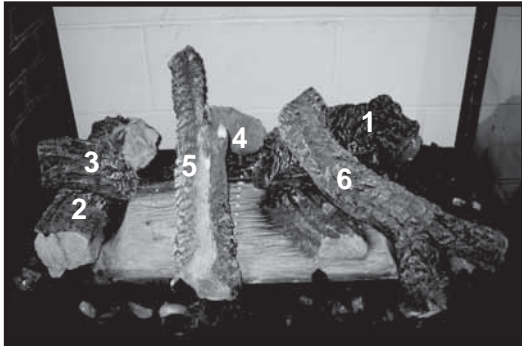


Log Set Assembly



IMPORTANT: THIS IS DATED INFORMATION. When requesting service or replacement parts for your appliance please provide model number and serial number. All parts listed in this manual may be ordered from an authorized dealer.



Stocked at Depot

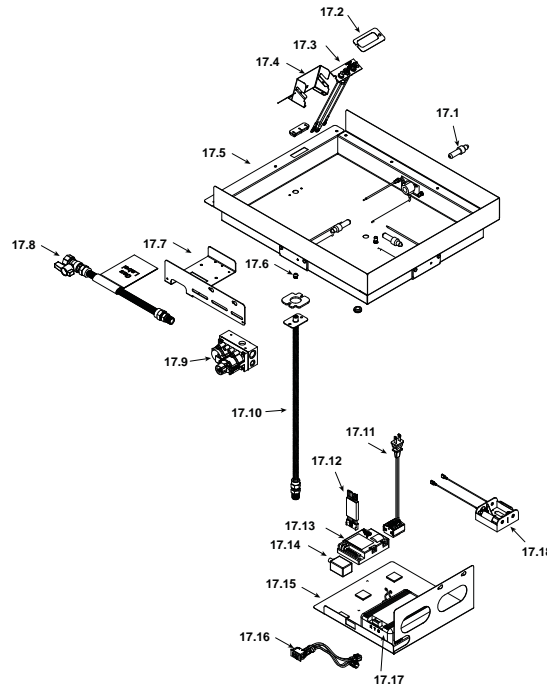
ITEM	DESCRIPTION	COMMENTS	PART NUMBER	Stocked at Depot
	Log Set Assembly		LOGS-MSR	Y
1	Log 1		SRV2005-701	
2	Log 2		SRV2005-700	
3	Log 3		SRV2005-702	
4	Log 4		SRV2005-703	
5	Log 5		SRV2005-704	
6	Log 6		SRV2005-705	
7	Sheetrock Ledge (Side)	Qty 2 req	2130-118	
8	Sheetrock Ledge (End)		2130-126	
9	Glass Door Assembly (End)		GLA-2130	Y
10	Grate Assembly		2005-012	
11	Burner NG, LP		2005-006	Y
12	Ember Mesh Assembly		2176-008	
13	Glass Door Assembly	Qty 2 req	GLA-750TR	Y
14	Refractory		2129-016	
15	Junction Box Bracket		2128-128	
16	Junction Box		4021-013	Y
	Surround Overlay (contains overlay for top, bottom and sides)		SRV2130-FACE	

Additional service part numbers appear on following page.

No one builds a better fire

Beginning Manufacturing Date: Nov 2008
Ending Manufacturing Date: Active

#17 Valve Assembly



IMPORTANT: THIS IS DATED INFORMATION. When requesting service or replacement parts for your appliance please provide model number and serial number. All parts listed in this manual may be ordered from an authorized dealer.



Stocked at Depot

ITEM	DESCRIPTION	COMMENTS	PART NUMBER	
17.1	Bulb		700-540	Y
17.2	Wind Baffle		2176-126	
17.3	Pilot Assembly NG		2090-012	Y
	Pilot Assembly LP		2090-013	Y
17.4	Pilot Bracket		2176-118	
17.5	Ember Box Assembly		2005-114	Y
17.6	Orifice NG (#32C)		582-832	Y
	Orifice LP (#50C)		582-850	Y
17.7	Valve Bracket		2176-120	
17.8	Flex Ball Valve Assembly		302-320A	Y
17.9	Valve NG		750-500	Y
	Valve LP		750-501	Y
17.10	Flexible Gas Connector		2005-009	Y
17.11	Connector Block Assembly		2176-019	Y
17.12	Module Wire Assembly		593-590A	Y
17.13	Module		593-592	Y
17.14	Solenoid		HTI-17-006	Y
17.15	Controls Plate		2176-121	
17.16	On/Off Rocker Switch		060-511	Y
17.17	Control Box		HTI-13-007	Y
17.18	Battery Pack		593-594A	Y

Additional service part numbers appear on following page.

