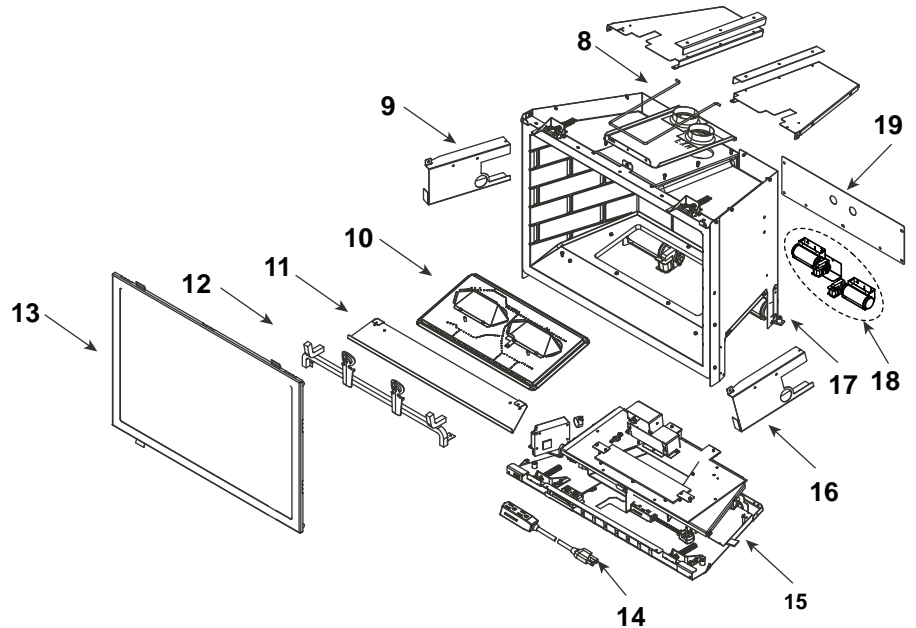
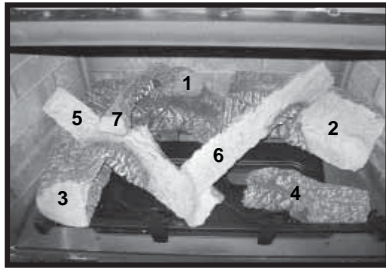


Log Set Assembly



IMPORTANT: THIS IS DATED INFORMATION. When requesting service or replacement parts for your appliance please provide model number and serial number. All parts listed in this manual may be ordered from an authorized dealer.

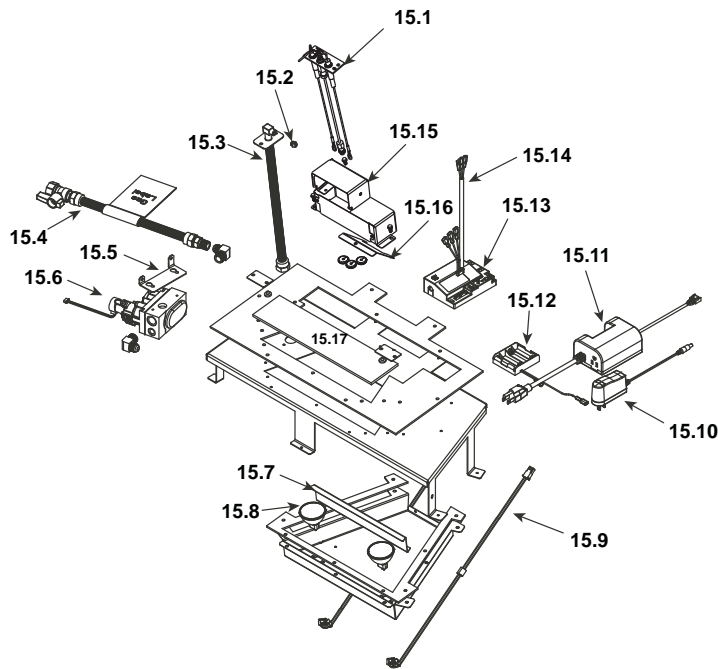


**Stocked
at Depot**

ITEM	DESCRIPTION	COMMENTS	PART NUMBER	
	Log Assembly		LOGS-QFI35FB	Y
1	Log 1		SRV2223-703	
2	Log 2		SRV2223-701	
3	Log 3		SRV2223-702	
4	Log 4		SRV2223-706	
5	Log 5		SRV2223-704	
6	Log 6		SRV2223-705	
7	Log 7		SRV2221-707	
8	Slide Plate Assembly		2202-012	
	Gasket, Termination Plate		2201-401	
	Slide Plate Handle		2019-201	
9	Module Bracket		2201-137	
10	Burner		2223-009	Y
11	Media Tray		2202-112	
12	Grate Assembly		2223-016	
13	Glass Door Assembly		GLA-2202	Y
14	Power Cord Assembly		2201-024	
15	Valve Assembly		Refer to valve page	
16	Aux Bracket		2201-157	
17	RIV-NUT Bracket Assembly	Qty 2 req	2201-027	
18	Blower Assembly		GFK-210-C	
19	Cover Plate, Back		2202-104	

Additional service part numbers on following page.

#15 Valve Assembly



IMPORTANT: THIS IS DATED INFORMATION. When requesting service or replacement parts for your appliance please provide model number and serial number. All parts listed in this manual may be ordered from an authorized dealer.



**Stocked
at Depot**

ITEM	DESCRIPTION	COMMENTS	PART NUMBER	
15.1	Pilot Assembly NG		2202-013	Y
	Pilot Assembly LP		2202-014	Y
15.2	Burner Orifice NG (#31C)		582-831	Y
	Burner Orifice LP (#49C)		582-849	Y
15.3	Flex Assembly		383-302A	Y
15.4	Flex Ball Valve Assembly		2201-108	Y
15.5	Valve Bracket		2202-108	
15.6	Valve NG		2166-302	Y
	Valve LP		2166-303	Y
15.7	Air Passage Divider		2202-144	
15.8	Ember Bulb	Qty 2 req	2201-150	Y
15.9	Light Wire Assembly		2201-011	Y
15.10	Power Supply		2166-345	Y
15.11	Auxillary Box		2166-335	Y
15.12	Battery Pack**		2166-323	Y
15.13	Module		2166-307	Y
15.14	Wire Assembly		2201-304	Y
15.15	Pilot Bracket		2201-025	
15.16	Air Scoop		2201-156	
15.17	Ember Glass		2201-115	Y

**Fuse for battery pack can be sourced locally, not a warranty item. Specs are 500mA~10A 3/4" long

Additional service part numbers on following page.

