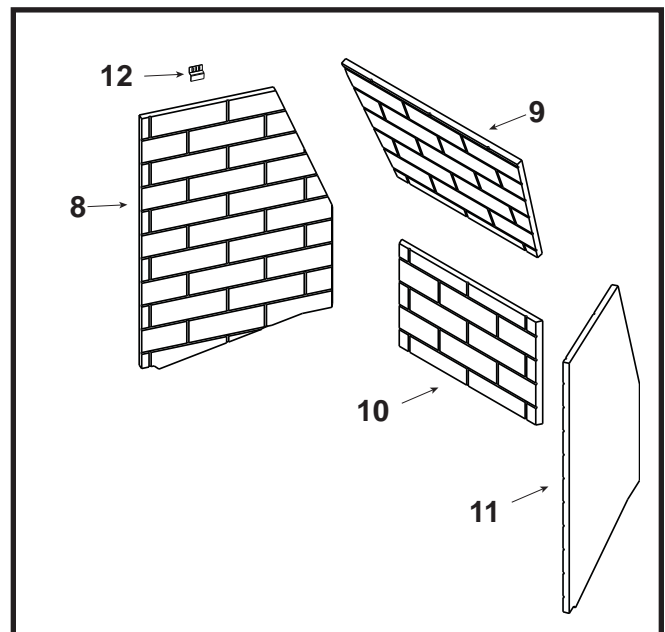
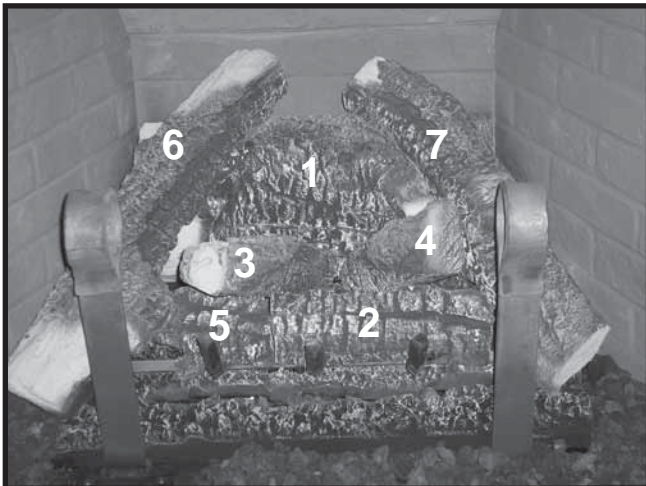


Refractory Assembly



Log Set Assembly



Part number list on following page.

IMPORTANT: THIS IS DATED INFORMATION. When requesting service or replacement parts for your appliance please provide model number and serial number. All parts listed in this manual may be ordered from an authorized dealer.

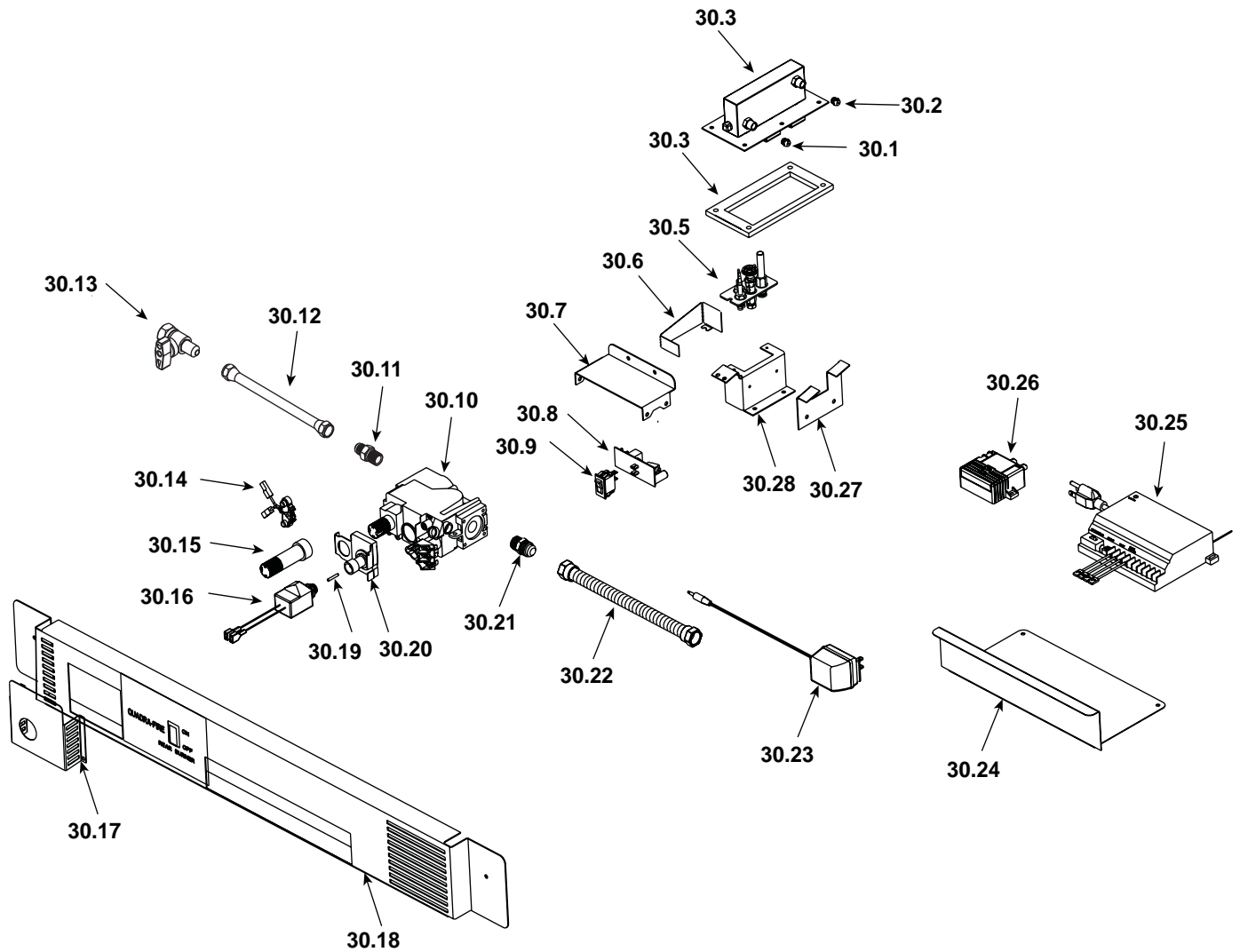


**Stocked
at Depot**

ITEM	DESCRIPTION	COMMENTS	PART NUMBER	
1	Back Log		SRV4051-134	
2	Front Right Log		SRV4051-135	
3	Middle Left Log		SRV4051-138	
4	Middle Right Log		SRV4051-139	
5	Front Left Log		SRV4051-142	
6	Top Left Log		SRV4051-136	
7	Top Right Log		SRV4051-137	
8	Left Refractory		4051-146	
9	Upper Back Refractory		4051-149	
10	Lower Back Refractory		4051-148	
11	Right Refractory		4051-147	
12	Refractory Retainer		4013-090	
13	Intake Collar Assembly		4002-002	
14	Heat Zone Cover Plate	Qty 2 req	4051-122	
15	Front Shield		4051-114	
16	Glass Clip Assembly	Pkg of 2	33858/2	Y
17	Side Glass Latch assembly		4051-003	Y
18	Burner Assembly	Qty 2 req	4051-008	Y
19	Retainer		4051-124	
20	Grate Assembly		4051-012	
21	Glass Frame Assembly		SRV4051-005	Y
22	Andiron		4051-311	
23	Hearth Pan Support		4051-160	
24	Hearth Sheet		4051-125	
25	Fan Assembly		4051-007	
26	Burner Cover		SRV4051-024	
27	Junction Box (plastic)		4021-013	Y
28	Junction Box Cover Plate		4031-222	
29	Junction Box Radiation Shield		4047-128	
	Flue Gasket		4000-225	
	Vertical Baffle	Qty 2 req	4051-185	
	Lava Rock Bag Assembly		4040-094	
	Lava Rock		4021-296	
	Mineral Wool		14333B	
	Vermiculite		28746	
	Installation Instructions & Owner's Manual		4051-300	

Additional service part numbers on following page

#30 Valve Assembly



Part number list on following page.

IMPORTANT: THIS IS DATED INFORMATION. When requesting service or replacement parts for your appliance please provide model number and serial number. All parts listed in this manual may be ordered from an authorized dealer.



**Stocked
at Depot**

ITEM	DESCRIPTION	COMMENTS	PART NUMBER	
30.1	Front Orifice - NG (#46C)		582-846	Y
	Front Orifice - LP (#56C)		582-856	Y
30.2	Rear Orifice - NG (#18)		4021-376	Y
	Rear Orifice - LP (#46C)		582-846	Y
30.3	Solenoid Block Assembly		4051-010	Y
30.4	Cover Plate Gasket		4042-306	
30.5	Pilot Assembly		230-1781	Y
	Thermocouple		200-2950	Y
30.6	Pilot Shield		4051-184	
30.7	Valve Bracket		4051-120	
30.8	MLT Interface		4021-375	Y
30.9	ON/OFF Rocker Switch		4021-377	Y
30.10	Valve		230-0710	Y
30.11	Male Connector	Pkg of 5	303-315/5	Y
30.12	10" Flex Gas Line		15696B	Y
30.13	On/Off Valve		15697	Y
30.14	Ignition Cable/Switch Assembly		230-1900	Y
30.15	Extension Knob		230-1250	Y
30.16	HI/LO Solenoid		4021-379	Y
30.17	Valve Shield		4051-193	
30.18	Dashboard		4051-121	
30.19	Conversion Pin - NG		4021-367	Y
	Conversion Pin - LP		4021-368	Y
30.20	Solenoid Regulator		4021-378	Y
30.21	1/2 in. to 3/8 in. NPT Flare - Male		4021-373	
30.22	10 in., 1/2 in. dia. Flex Gas Line		4021-374	
30.23	12V Transformer		2101-290	Y
30.24	Remote Tray		4051-169	
30.25	MLT Receiver		HTI-13-006	Y
30.26	Ignition Module		230-1880	Y
30.27	Pilot Support		4051-179	
30.28	Pilot Bracket		4051-161	
	Remote Transmitter		4021-381	Y
	Remote Transmitter Wall Holder		HTI-16-006	Y
	Conversion Kit - NG		44CKN	Y
	Conversion Kit - LP		44CKP	Y
	Pilot Injector - 62 - NG		842-4440	Y
	Pilot Injector - 35 - LP		200-2630	Y