

IMPORTANT: THIS IS DATED INFORMATION. When requesting service or replacement parts for your appliance please provide model number and serial number. All parts listed in this manual may be ordered from an authorized dealer.



Stocked at Depot

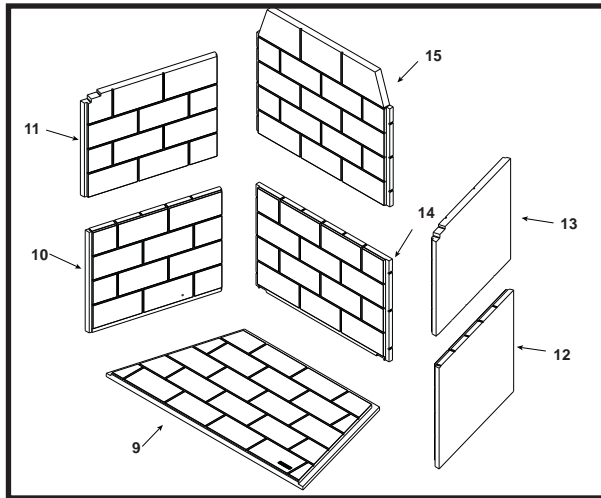
ITEM	DESCRIPTION	COMMENTS	PART NUMBER	
1	Damper Blade Assembly		4059-030	
2	Damper Control		35159	
3	Outside Air Collar Assembly	Qty 2 req	4059-037	
4	OA Door	Qty 2 req	4059-049	
5	Screen Rod	Qty 2 req	4059-313	Y
	Screen Rod Clips	Qty 2 req	4059-111	Y
6	Firescreen Assembly	Qty 2 req	4059-029	Y
7	Grate Assembly		GR39	Y
8	Andiron Assembly	Qty 2 req	4059-066	
9	Hearth Molded Brick Panel		4059-036	
	Insect Guard Screening		14DCA-SCRN	
	Mortar	25 LB Box	4059-316	
	Spacing Clips, 1/2 in	Pkg of 30	14DCA-SPCRM	
	Outside Air Hood	Qty 2 req	4059-051	
	Installation Manual		4059-333	

Additional service parts on following page

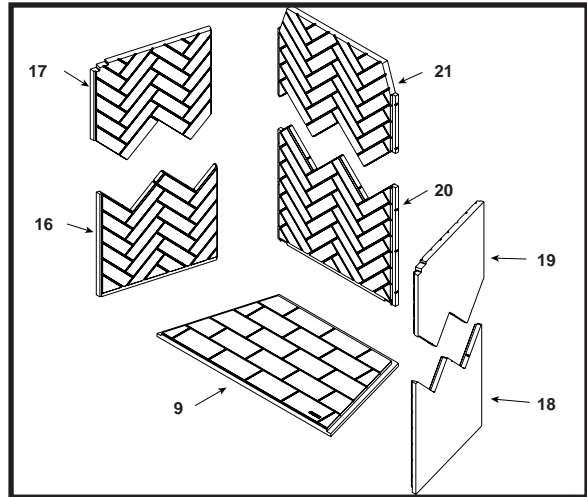
No one builds a better fire

Beginning Manufacturing Date: April 2008
Ending Manufacturing Date: Active

Traditional Molded Brick Panel



Herringbone Molded Brick Panel



IMPORTANT: THIS IS DATED INFORMATION. When requesting service or replacement parts for your appliance please provide model number and serial number. All parts listed in this manual may be ordered from an authorized dealer.



**Stocked
at Depot**

ITEM	DESCRIPTION	COMMENTS	PART NUMBER	
Traditional Molded Brick Panel				
10	Lower Left Panel		4059-350	
11	Upper Left Panel		4059-351	
12	Lower Right Panel		4059-352	
13	Upper Right Panel		4059-353	
14	Lower Rear Panel		4059-364	
15	Upper Rear Panel		4059-365	
Herringbone Molded Brick Panel				
16	Lower Left Panel		4059-357	
17	Upper Left Panel		4059-358	
18	Lower Right Panel		4059-359	
19	Upper Right Panel		4059-360	
20	Lower Rear Panel		4059-368	
21	Upper Rear Panel		4059-369	
	Refractory Fastener Pack		4059-043	
	Contains: 25 #6 X 1 1/2" Panhead screw, 3/32" Drill Bit, 17 T- Brackets, 2 Y-Brackets, 6 Clips			