

IMPORTANT: THIS IS DATED INFORMATION. When requesting service or replacement parts for your appliance please provide model number and serial number. All parts listed in this manual may be ordered from an authorized dealer.



Stocked at Depot

ITEM	DESCRIPTION	COMMENTS	PART NUMBER	
1	Porcelain Insert		2185-101	
2	Burner NG, LP		2185-003	Y
3	Burner Leg		2185-103	
4	Base Pan		2185-100	
5	Glass Assembly		GLA-550TR	Y
6	Thermostat Wire Assembly		2118-170	Y
7	Junction Box		4021-013	Y
	Exhaust Restrictor		530-299	
	Gasket Assembly Contains Burner neck, shutter bracket, vent, seal cap, valve plate, and air passage gaskets		2115-080	
	Glass Latch Assembly	Pkg of 2	33858/2	Y
	Heat Shield, Battery Pack		2185-114	
	Heat Shield, Junction Box		2185-117	
	Non-combustible Board		2185-110	
	Touch Up Paint		TUP-GBK-12	
	Valve Plate Cover		2188-101	

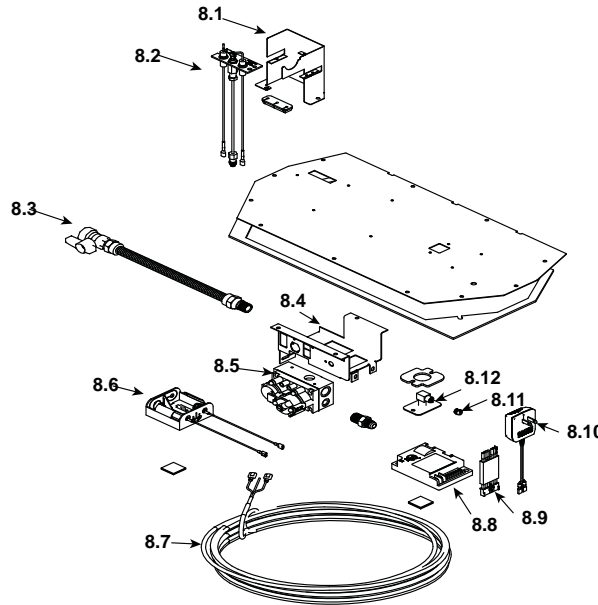
Additional service part numbers appear on following page.

No one builds a better fire

Beginning Manufacturing Date: May 2009

Ending Manufacturing Date: Active

#8 Valve Assembly



IMPORTANT: THIS IS DATED INFORMATION. When requesting service or replacement parts for your appliance please provide model number and serial number. All parts listed in this manual may be ordered from an authorized dealer.



**Stocked
at Depot**

ITEM	DESCRIPTION	COMMENTS	PART NUMBER	
8.1	Pilot Bracket		2185-112	
8.2	Pilot Assembly NG		2090-012	Y
	Pilot Assembly LP		2090-013	Y
	Pilot Tube		SRV485-301	Y
8.3	Flex Ball Valve Assembly		302-320A	Y
8.4	Valve Bracket		2118-104	
8.5	Valve NG		593-500	Y
	Valve LP		593-501	Y
8.6	Battery Pack		593-594A	Y
8.7	Thermostat Wire Assembly		2118-170	Y
8.8	Module		593-592	Y
8.9	Module Wire Assembly		593-590A	Y
8.10	3 Volt Transformer		593-593A	Y
8.11	Orifice NG (#44)		582-844	Y
	Orifice LP (#55)		582-855	Y
8.12	Flex Tube Assembly		7000-156	Y
	Jumper Wires, 2 in, male to male		2012-206	Y
	Conversion Kit NG		NGK-550METRO	Y
	Conversion Kit LP		LPK-550METRO	Y
	Pilot Orifice NG		593-528	Y
	Pilot Orifice LP		593-527	Y
	Regulator NG		NGK-DXF	Y
	Regulator LP		LPK-DXF	Y