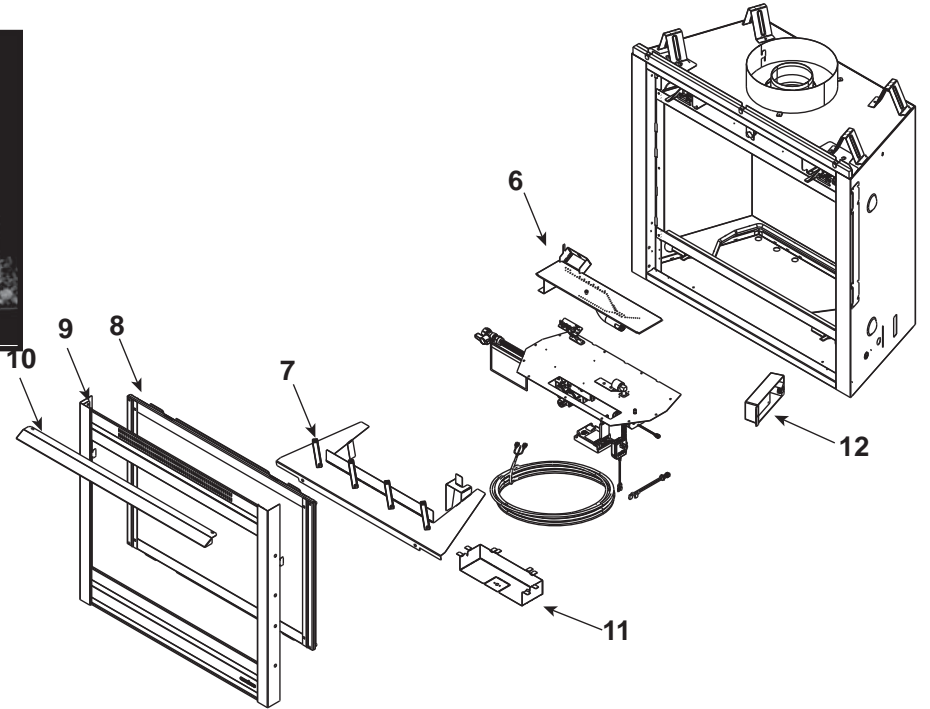
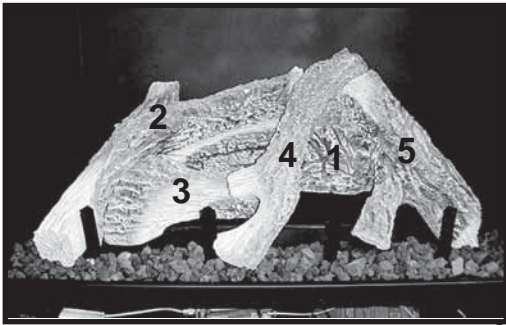


### Log Set Assembly



**IMPORTANT: THIS IS DATED INFORMATION.** When requesting service or replacement parts for your appliance please provide model number and serial number. All parts listed in this manual may be ordered from an authorized dealer.



**Stocked at Depot**

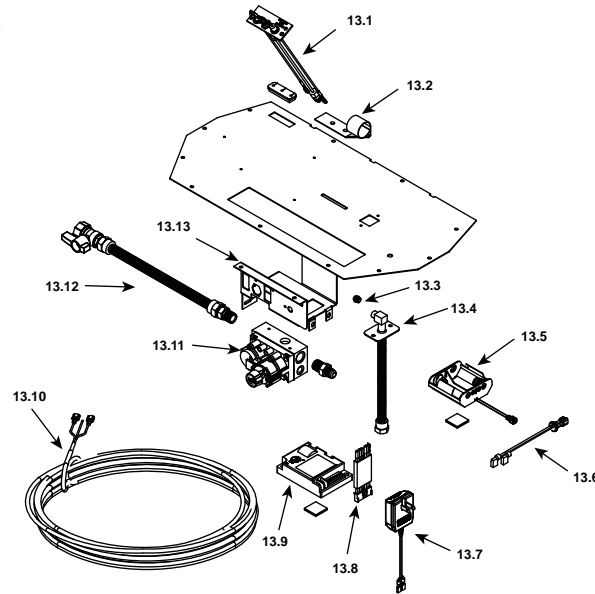
ITEM	DESCRIPTION	COMMENTS	PART NUMBER	Stocked at Depot
	Log Set Assembly		LOGS-550-E	Y
1	Log 1		SRV2115-701	
2	Log 2		SRV2115-702	
3	Log 3		SRV2115-703	
4	Log 4		SRV2115-704	
5	Log 5		SRV2115-705	
6	Burner NG, LP		2115-007	Y
7	Grate Assembly		2115-015	
8	Glass Door Assembly		GLA-550TR	Y
9	Door		2116-020	
	Mesh Assembly		2115-036	Y
10	Hood		2115-230	
11	Air Chute		2119-154	
12	Junction Box		4021-013	Y
	Glass Latch Assembly	Pkg of 2	33858/2	Y
	High Limit Switch		066-531	Y
	Lava Rock		4021-297	
	Mineral Wool		050-721	
	Non-combustible board		547-401	
	Touch Up Paint		TUP-GBK-12	

Additional service part numbers appear on following page.

No one builds a better fire

Beginning Manufacturing Date: June 2007  
Ending Manufacturing Date: Active

### #13 Valve Assembly



IMPORTANT: THIS IS DATED INFORMATION. When requesting service or replacement parts for your appliance please provide model number and serial number. All parts listed in this manual may be ordered from an authorized dealer.



**Stocked at Depot**

ITEM	DESCRIPTION	COMMENTS	PART NUMBER	
13.1	Pilot Assembly NG		2090-012	Y
	Pilot Assembly LP		2090-013	Y
	Pilot Tube		SRV485-301	Y
13.2	Shutter Bracket Assembly		2118-121	Y
13.3	Orifice NG (#44C)		582-844	Y
	Orifice LP (#55C)		582-855	Y
13.4	Flexible Gas Connector		7000-156	Y
13.5	Battery Pack		593-594A	Y
13.6	Wire Assembly 80" & 72"		522-504A	Y
13.7	3 Volt Transformer		593-593A	Y
13.8	Module Wire Assembly		593-590A	Y
13.9	Module		593-592	Y
13.10	Thermostat Wire Assembly		2118-170	Y
13.11	Valve NG		750-500	Y
	Valve LP		750-501	Y
13.12	Flex Ball Valve Assembly		302-320A	Y
13.13	Valve Bracket		2118-104	
	Conversion Kit NG		NGK-550IPIE	Y
	Conversion Kit LP		LPK-550IPIE	Y
	Pilot Orifice NG		593-528	Y
	Pilot Orifice LP		593-527	Y
	Regulator NG		NGK-DXV	Y
	Regulator LP		LPK-DXV	Y