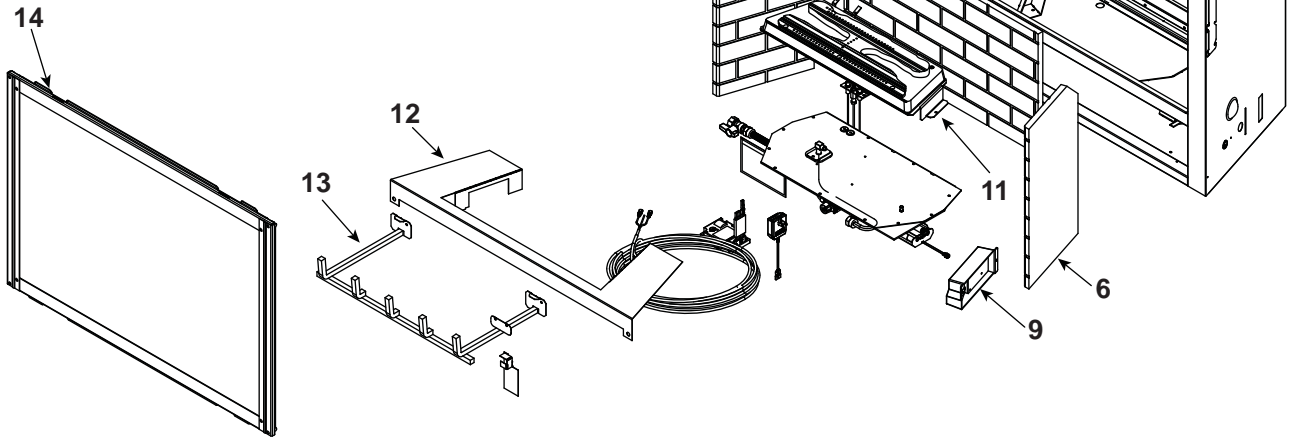


### Log Set Assembly



**IMPORTANT: THIS IS DATED INFORMATION.** When requesting service or replacement parts for your appliance please provide model number and serial number. All parts listed in this manual may be ordered from an authorized dealer.



**Stocked at Depot**

ITEM	DESCRIPTION	COMMENTS	PART NUMBER	
	Log Set Assembly		LOGS-750TRS-E	Y
	<b>Pre SN #0022565063 must order complete set</b>			
1	Log 1		SRV2117-701	
2	Log 2		SRV2120-702	
3	Log 3		SRV2120-703	
4	Log 4		SRV2120-704	
5	Log 5		SRV2117-705	
	Refractory Kit		BRICK-750TRSD2	
6	Refractory, Right Side		SRV2045-712	
7	Refractory, Back		SRV2045-711	
8	Refractory, Left Side		SRV2045-710	
9	Junction Box		4021-013	Y
10	Pilot Shield		2066-121	
11	Burner NG		SRV2066-020	Y
	Burner LP		SRV2066-021	Y
12	Base Pan		2066-100	
13	Log Grate		2066-036	
14	Glass Door Assembly		GLA-750TRS	Y

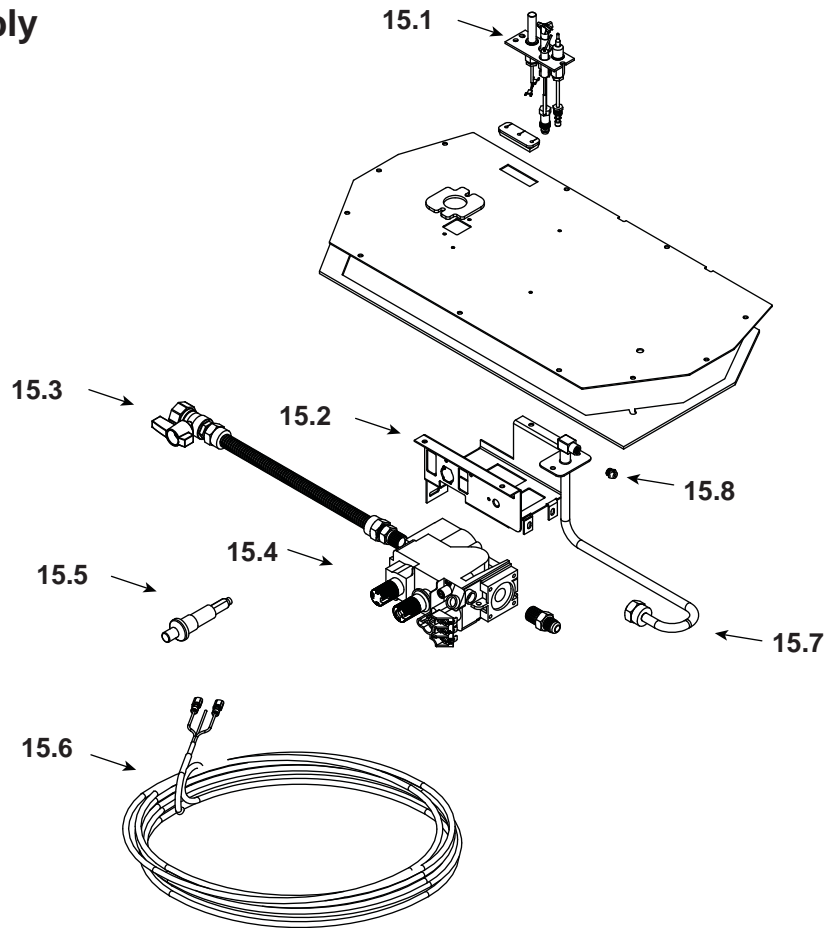
Additional service part numbers appear on following page.

No one builds a better fire

Beginning Manufacturing Date: June 2007

Ending Manufacturing Date: Active

### #15 Valve Assembly



**IMPORTANT: THIS IS DATED INFORMATION.** When requesting service or replacement parts for your appliance please provide model number and serial number. All parts listed in this manual may be ordered from an authorized dealer.



**Stocked at Depot**

ITEM	DESCRIPTION	COMMENTS	PART NUMBER	Stocked at Depot
15.1	Pilot Assembly NG		2103-010	Y
	Pilot Assembly LP		2103-011	Y
	Pilot Tube		SRV485-301	Y
	Thermocouple		2103-511	Y
	Thermopile		2103-512	Y
15.2	Valve Bracket		2118-104	
15.3	Flex Ball Valve Assembly		302-320A	Y
15.4	Valve NG		230-0710	Y
	Valve LP		230-0720	Y
15.5	Piezo Ignitor		291-513	Y
15.6	Thermostat Wire Assembly		2045-024	Y
15.7	Flexible Gas Connector		530-302A	Y
15.8	Orifice NG (#37C)		582-837	Y
	Orifice LP (#52C)		582-852	Y

Additional service part numbers appear on following page.

