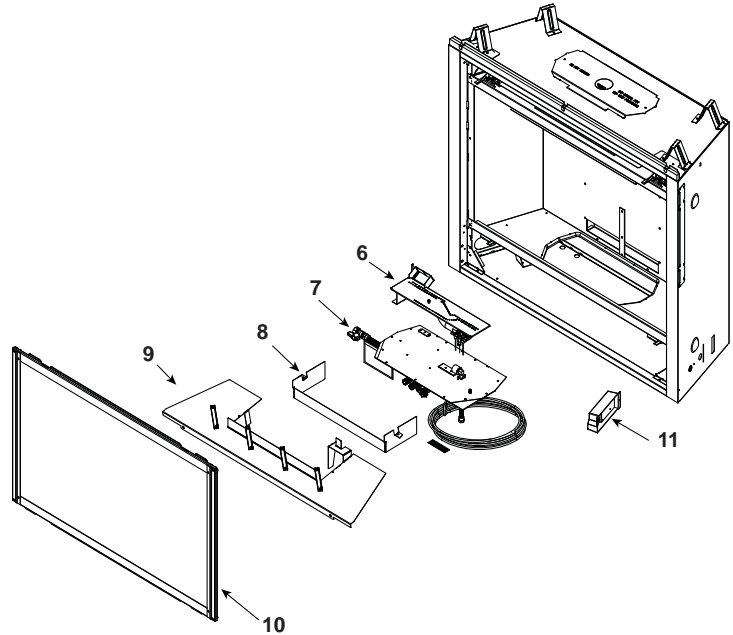
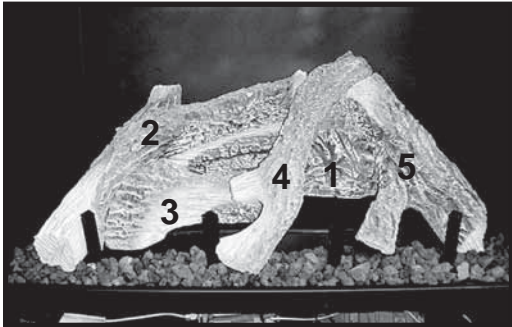


Log Set Assembly



IMPORTANT: THIS IS DATED INFORMATION. When requesting service or replacement parts for your appliance please provide model number and serial number. All parts listed in this manual may be ordered from an authorized dealer.

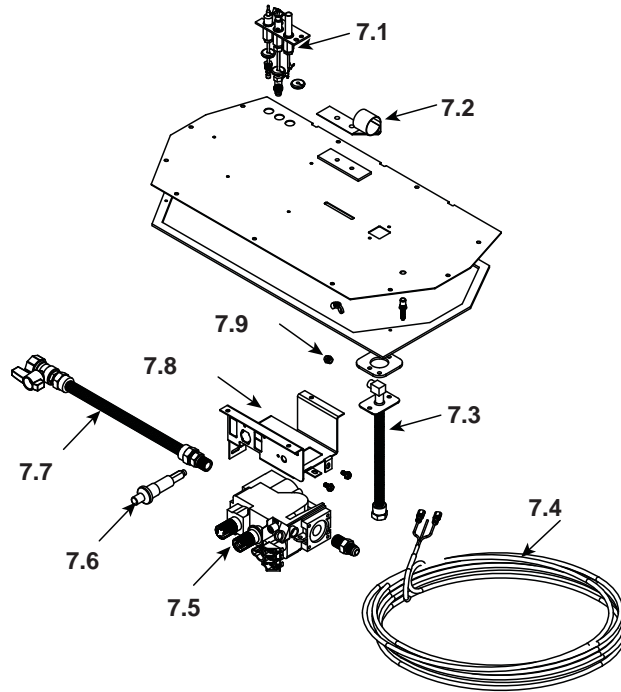


Stocked at Depot

ITEM	DESCRIPTION	COMMENTS	PART NUMBER	
	Log Set Assembly		LOGS-950-E	Y
1	Log 1		SRV2121-701	
2	Log 2		SRV2121-702	
3	Log 3		SRV2118-703	
4	Log 4		SRV2121-704	
5	Log 5		SRV2121-705	
6	Burner NG, LP		2121-007	Y
7	Valve Assembly		Refer to Valve Page	
8	Burner Skirt		2121-142	
9	Grate Assembly		2121-015	
10	Glass Door Assembly		GLA-950TR	Y
11	Junction Box		4021-013	Y
	Exhaust Baffle		550-155	
	Exhaust Restrictor		530-299	
	Gasket Assembly Contains Burner neck, shutter bracket, vent, seal cap, valve plate, and air passage gaskets		2121-080	
	Glass Latch Assembly	Pkg of 2	33858/2	Y
	Lava Rock		4021-297	
	Mineral Wool		050-721	
	Non Combustible Board		560-401	
	Touch Up Paint		TUP-GBK-12	

Additional service part numbers appear on following page.

#7 Valve Assembly



IMPORTANT: THIS IS DATED INFORMATION. When requesting service or replacement parts for your appliance please provide model number and serial number. All parts listed in this manual may be ordered from an authorized dealer.



**Stocked
at Depot**

ITEM	DESCRIPTION	COMMENTS	PART NUMBER	
7.1	Pilot Assembly NG		2103-010	Y
	Pilot Assembly LP		2103-011	Y
	Pilot Tube		SRV485-301	Y
	Thermocouple		2103-511	Y
	Thermopile		2103-512	Y
7.2	Shutter Bracket Assembly		2118-121	Y
7.3	Flexible Gas Connector		7000-156	Y
7.4	Thermostat Wire Assembly		2045-024	Y
7.5	Valve NG		230-0710	Y
	Valve LP		230-0720	Y
7.6	Piezo Ignitor		291-513	Y
7.7	Flex Ball Valve Assembly		302-320A	Y
7.8	Valve Bracket		2118-104	
7.9	Orifice NG (#37C)		582-837	Y
	Orifice LP (#52C)		582-852	Y
	Conversion Kit NG		NGKS-950TR-E	Y
	Conversion Kit LP		LPKS-950TR-E	Y
	Pilot Orifice NG		2103-116	Y
	Pilot Orifice LP		2103-117	Y
	Regulator NG		230-1570	Y
	Regulator LP		230-1520	Y