

IMPORTANT: THIS IS DATED INFORMATION. When requesting service or replacement parts for your appliance please provide model number and serial number. All parts listed in this manual may be ordered from an authorized dealer.

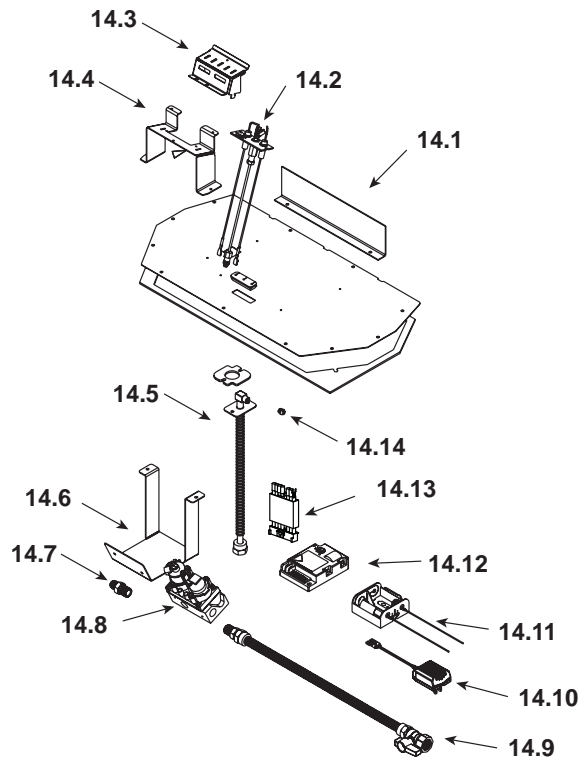


**Stocked
at Depot**

ITEM	DESCRIPTION	COMMENTS	PART NUMBER	
1	Sheet Rock Ledge		2184-147	
2	Finish Edge	Right	2195-118	
		Left	2195-119	
3	Lower Cover Panel		2184-103	
4	Top Panel Finishing Edge		2184-102	
5	Non Combustible Board		2198-405	
6	Media Tray		2198-114	
7	Burner NG		2184-007	Y
	Burner LP		2184-008	Y
8	Base Pan		2198-115	
9	Glass Door Assembly		GLA-SLR	Y
10	Junction box		4021-013	Y
11	Bracket, Junction Box	Pre Dec 2009	N/A	
		Post Dec 2009	2195-154	
12	Thermostat Wire Assembly		2118-170	Y
13	Nailing Tab	Qty 2 req	2198-200	

Additional service part numbers appear on following page.

#14 Valve Assembly



IMPORTANT: THIS IS DATED INFORMATION. When requesting service or replacement parts for your appliance please provide model number and serial number. All parts listed in this manual may be ordered from an authorized dealer.



Stocked at Depot

ITEM	DESCRIPTION	COMMENTS	PART NUMBER	
14.1	Bracket		2143-143	
14.2	Pilot Assembly NG		2090-012	Y
	Pilot Assembly LP		2090-013	Y
14.3	Pilot Shield		2184-123	
14.4	Pilot Bracket		2198-174	
14.5	Bulkhead W/Flex Tube		383-302A	Y
14.6	Valve Bracket		2198-153	
14.7	Male Connector	Pkg of 5	303-315/5	Y
14.8	Valve NG		593-500	Y
	Valve LP		593-501	Y
14.9	Flex Ball Valve Assembly		2098-320A	Y
14.10	3 Volt Transformer		593-593A	Y
14.11	Battery Pack		593-594A	Y
14.12	Module		593-592	Y
14.13	Module Wire Assembly		593-590A	Y
14.14	Orifice NG (#42C)		582-842	Y
	Orifice LP (.057C)		582-057	Y
	Jumper Wires 21 in	Pre Dec 2009	2012-206	Y
		Post Dec 2009	N/A	

Additional service part numbers appear on following page.

