

IMPORTANT: THIS IS DATED INFORMATION. When requesting service or replacement parts for your appliance please provide model number and serial number. All parts listed in this manual may be ordered from an authorized dealer.



**Stocked  
at Depot**

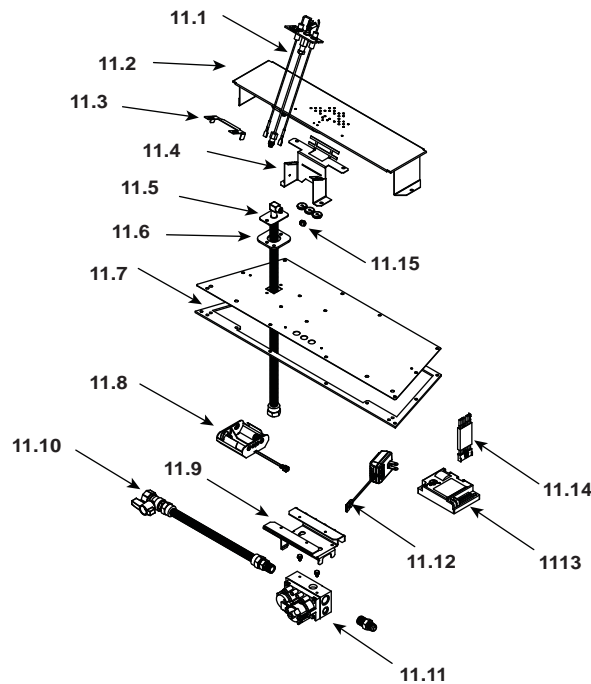
ITEM	DESCRIPTION	COMMENTS	PART NUMBER	
1	Heat Shield		2137-138	
2	Non-combustible Board (Outside)		2111-148	
	Bracket Non-combustible Board		2111-128	
	Non-combustible Board (Inside)		2077-148	
3	Surround		2077-112	
4	Heat Shield Retainer		2137-134	
5	Reflective Panel		2137-135	
6	Stone Placement Jig		2137-140	
7	Pilot Cover (Outer)		2137-137	
8	Pilot Cover (Inner)		2137-136	
9	Base Pan		2137-129	
10	Glass Door Assembly		GLA-SOHO24B	Y
11	Valve/ Burner Assembly		<b>Refer to valve page</b>	
12	Junction Box		4021-013	Y
13	Wire, Wall Switch		2045-024	Y

Additional service part numbers appear on following page.

No one builds a better fire

Beginning Manufacturing Date: Aug 2007  
Ending Manufacturing Date: Active

### #11 IPI Valve Assembly



IMPORTANT: THIS IS DATED INFORMATION. When requesting service or replacement parts for your appliance please provide model number and serial number. All parts listed in this manual may be ordered from an authorized dealer.



**Stocked  
at Depot**

ITEM	DESCRIPTION	COMMENTS	PART NUMBER	
11.1	Pilot Assembly NG		2090-012	Y
	Pilot Assembly LP		2090-013	Y
11.2	Burner Assembly NG		2137-010	Y
	Burner Assembly LP		2137-011	Y
11.3	Pilot Cover Bracket		2137-141	
11.4	Pilot Bracket		2137-102	
11.5	Flexible Gas Connector		530-302A	Y
11.6	Burner Neck Gasket		438-407	
11.7	Valve Plate Gasket		2077-138	
11.8	Battery Pack		593-594A	Y
11.9	Valve Bracket		2111-186	
11.10	Flex Ball Valve Assembly		302-320A	Y
11.11	Valve NG		593-500	Y
	Valve LP		593-501	Y
11.12	3 Volt Transformer		593-593A	Y
11.13	Module		593-592	Y
11.14	Module Wire Assembly		593-590A	Y
11.15	Orifice NG (#50C)		582-850	Y
	Orifice LP (#59C)		582-859	Y

Additional service part numbers appear on following page.

