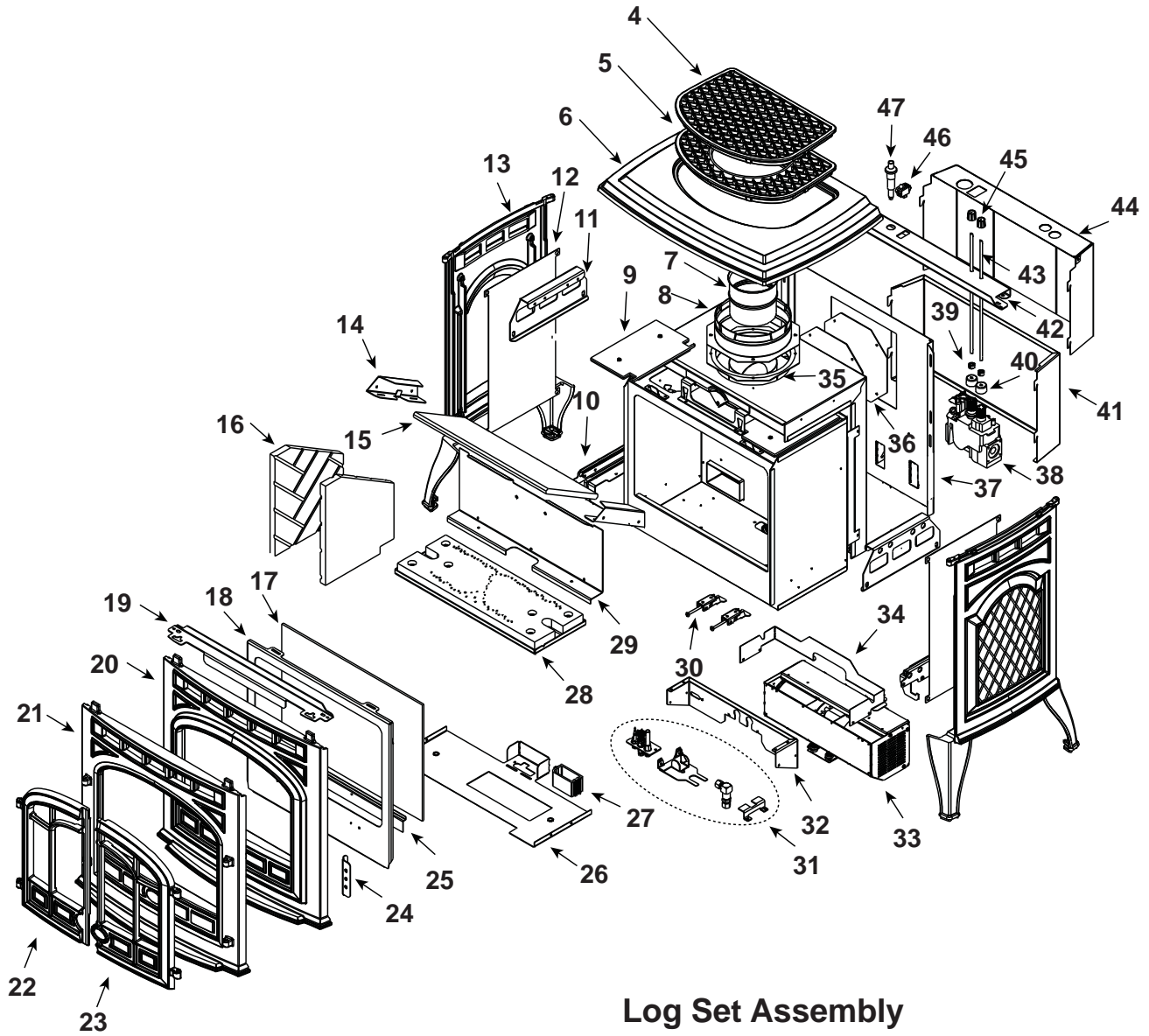
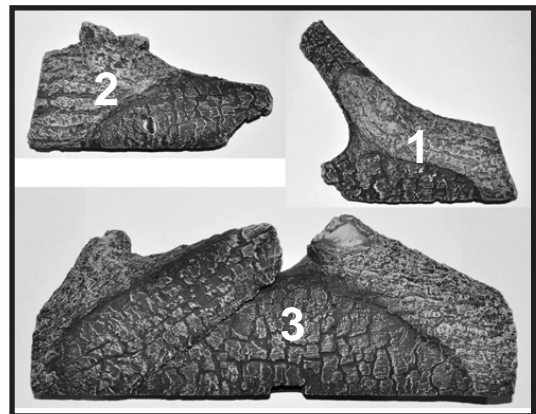


SAPPHIRE-D-CSB, SAPPHIRE-D-MBK, SAPPHIRE-D-PMH,
SAPPHIRE-D-CWL (6/10-3/11)



Log Set Assembly



Part number list on following page.

Beginning Manufacturing Date: June 2010
Ending Manufacturing Date: Active

IMPORTANT: THIS IS DATED INFORMATION. When requesting service or replacement parts for your appliance please provide model number and serial number. All parts listed in this manual may be ordered from an authorized dealer.



**Stocked
at Depot**

ITEM	DESCRIPTION	COMMENTS	PART NUMBER	
	Log Set Assembly		SRV7055-013	Y
1	Log 1		7055-124	
2	Log 2		7055-125	
3	Log 3		7055-126	
4	Grill Rear Vent		RV-SA-MBK	
5	Top Vent Grill	CSB	455-0370CSB	
		CWL	455-0370CWL	
		MBK	455-0370MBK	
		PMH	455-0370PMH	
6	Top	CSB	SRV7055-101CSB	
		CWL	SRV7055-101CWL	
		MBK	SRV7055-101MBK	
		PMH	SRV7055-101PMH	
7	SLP Stove Adapter		SLP-SAM	
8	DV Adapter		7000-162	
9	Relief Door Assembly		7010-003	
10	Cast Retainer Assembly		SRV7055-008	
11	Cast Mount Side Top		SRV7055-114	
12	Side Heat Shield		SRV7055-120	
13	Side , Left or Right	CSB	SRV7021-125CSB	
		CWL	SRV7021-125CWL	
		MBK	SRV7021-125MBK	
		PMH	SRV7021-125PMH	
14	Baffle Bracket		7010-137	
15	Baffle		7010-136	Y
16	Refractory Assembly		BRICK-T1	
17	Glass Assembly		7010-017	Y
18	Door Assembly		7010-016	Y
19	Cast Retainer Front		SRV7055-108	
20	Front	MBK	SRV7055-123MBK	
21	Front	CSB	SRV7055-103CSB	
		CWL	SRV7055-103CWL	
		MBK	SRV7055-103MBK	
		PMH	SRV7055-103PMH	
22	Door Left	CSB	SRV7055-107CSB	
		CWL	SRV7055-107CWL	
		MBK	SRV7055-107MBK	
		PMH	SRV7055-107PMH	

Additional service parts on following page

Beginning Manufacturing Date: June 2010
Ending Manufacturing Date: Active

IMPORTANT: THIS IS DATED INFORMATION. When requesting service or replacement parts for your appliance please provide model number and serial number. All parts listed in this manual may be ordered from an authorized dealer.



**Stocked
at Depot**

ITEM	DESCRIPTION	COMMENTS	PART NUMBER	
23	Door, Right	CSB	SRV7055-105CSB	
		CWL	SRV7055-105CWL	
		MBK	SRV7055-105MBK	
		PMH	SRV7055-105PMH	
24	Cast Front Hook		SRV7055-110	
25	Glass Retainer		7010-121	
26	Burner Plate Assembly		7010-022	
27	Pilot Spacer		7031-256	
28	Burner With Neck		SRV7010-025	Y
29	Log Support Rear		7010-134	
30	Draw Latch A1-10-501-10		229-0640	Y
31				
31.1	Pilot, 3 Flame, Flush Mount		230-1781	Y
31.2	Shutter Assembly		SRV7010-027	Y
31.3	Bulkhead		26457	Y
31.4	Bulkhead Stop		474-0090	
32	Blower Bracket		7010-146	
33	Blower Assembly		BK-GAS	
34	Blower Bracket Rear		7009-103	
35	Adapter Gasket		460-0610	
36	Gasket, Cover Plate		7010-160	
37	Back Shield Support		SRV7055-115	
38	Valve, Gas, NG		230-0710	Y
39	Set Collar 1/4		229-0750	
40	Adapter, Valve Extension		450-6330	
41	Back Shield Lower		SRV7055-112	
42	Cast Retainer Rear		SRV7055-109	
43	Control Rod		455-0340	
44	Back Shield Upper		SRV7055-111	
45	Knob, Rheostat (Black)	Qty 2 req	100-512	Y
46	Switch, Rocker, On/Off		230-0730	Y
47	Piezo Ignitor		291-513	Y

Additional service parts on following page

Beginning Manufacturing Date: June 2010
Ending Manufacturing Date: Active

IMPORTANT: THIS IS DATED INFORMATION. When requesting service or replacement parts for your appliance please provide model number and serial number. All parts listed in this manual may be ordered from an authorized dealer.



**Stocked
at Depot**

ITEM	DESCRIPTION	COMMENTS	PART NUMBER	
	Component Pack Assemblies Containing: On/Off Valve, LP Orifice, Mineral Wool, LP Injector Pilot, Nut Kep, LP Regulator, Leveling Assembly, Snap Disc Bracket, Manual. Conversion label and Touch Up paint	MBK	SRV7055-005	
		CSB	SRV7055-009	
		CWL	SRV7055-010	
		PMH	SRV7055-011	
	3/8 Flare x 3/8 NPT Elbow		4021-045	
	Brass Elbow		17524	
	Cover Plate		7010-159	
	Door Retainer		7010-122	
	Flex Line 3/8 Flare x 22L		7000-197	Y
	Gasket Flue Collar		455-0660	
	Leveling Assembly		7000-000	
	Line, Gas, T6-18		450-6360	
	Magnet Round		SRV7000-140	Y
	Mineral Wool		050-721	
	On/Off Valve		15697	Y
	Orifice N (.106)		19837	Y
	Orifice LP .063		17236	Y
	Pilot Spacer		7010-175	
	Plate, Damper		468-0360	
	Snap Disc Bracket		7009-108	
	Touch up Paint	MBK	812-0910	
		CSB	TOUCHUP-CSB	
		CWL	TOUCHUP-CWL	
		PMH	855-1450	
	Wire Harness		7010-156	
Conversion Kits				
	Conversion Kit NG		NGK-30K	Y
	Conversion Kit LP		LPK-30K	Y
	Pilot Orifice NG		842-4440	Y
	Pilot Orifice LP		200-2630	Y
	Regulator NG		230-1570	Y
	Regulator LP		230-1520	Y
Hardware Packs				
	Nut, Keps Lock, 10-32	Pkg of 40	226-0050/40	Y
	1/4-20 x .5 Button Head BO	Pkg of 20	32328/20	Y
	M6x35 Gd Button Hd Rivet	Pkg of 2	844-5750	Y
	Screw, 1/4-20 X 3/4	Pkg of 25	220-0080/25	Y
	Stud, PEM, 1/4-20 x 1	Pkg of 25	229-0010/25	Y
	Washer, 1/4 SAE	Pkg of 24	28758/24	Y
	SMS #8 x 1/2 S-Grip BO	Pkg of 40	12460/40	Y