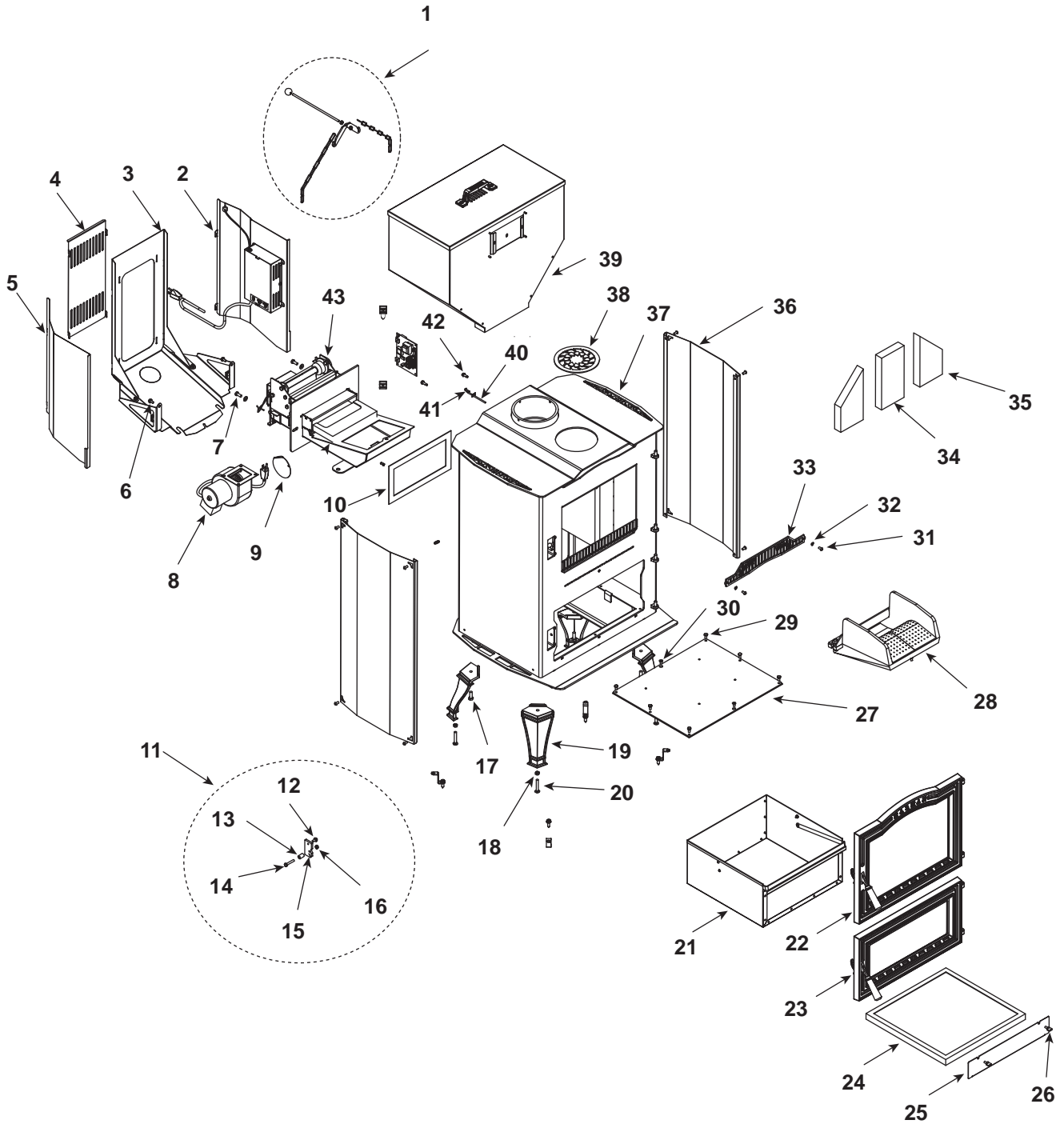


1-90-02700-1



Part number list on following page.

IMPORTANT: THIS IS DATED INFORMATION. When requesting service or replacement parts for your appliance please provide model number and serial number. All parts listed in this manual may be ordered from an authorized dealer.

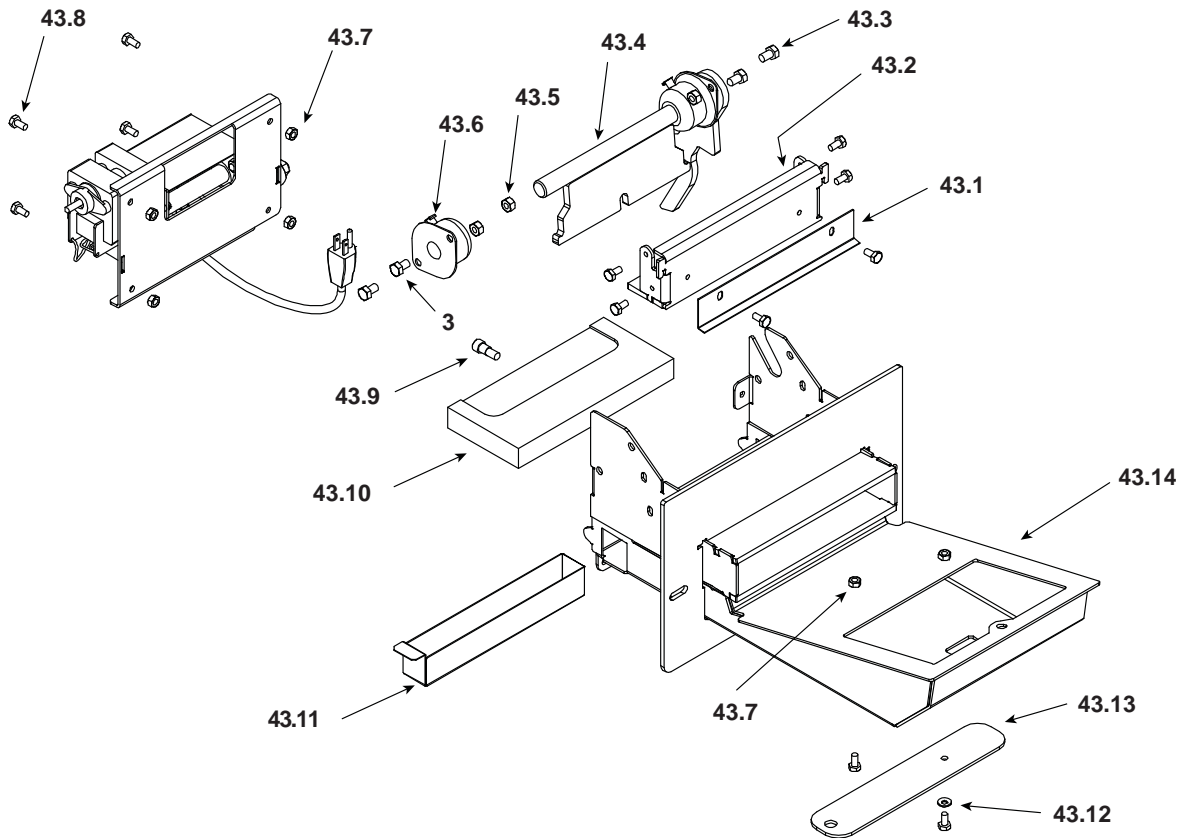


**Stocked
at Depot**

ITEM	Description	COMMENTS	PART NUMBER	
1	Scraper Kit		1-00-02770	
2	Rear Cover Right Assembly W/O Board		1-10-02742A	
	Circuit Board		1-00-06142	Y
3	Hopper Shield Support Assembly		1-10-02724A	
4	Rear Cover		2-00-02745B	
5	Rear Cover Left		2-00-02728B	
6	1/4-20 x 1/2" Grade 8.2 Zinc SAE Flange Bolt	Pkg of 50	3-30-2001-50	Y
7	5/16-18 x 3/4" Grade 5 Zinc Plated Hex Cap Screw	Pkg of 100	3-30-1125-100	Y
8	75CFM Blower 22" Cord / Combustion		3-21-07522	Y
9	Blower Restrictor Plate	Pkg of 2	2-00-01023-2	
10	Gasket Single-ply Feeder-Body		1-00-88100	Y
11	Handle Kit	Qty. 2 req.	1-00-27713	Y
12	1/4-20 x 1/2" Grade 8.2 Zinc SAE Flange Bolt	Pkg of 50	3-30-2001-50	Y
13	Steel Sleeve Bushing 1/2" OD x 3/4" Handle Kit		3-50-05230	
14	1/4-20 x 1 1/2 Grade 8 Yellow Zinc Hex Head Cap Screw	Pkg of 25	3-30-1119-25	Y
15	Adjuster Plate		2-00-06713D	
16	1/4-20 Grade C Zinc Plated Top Lock Nut	Pkg of 50	3-30-8021-50	Y
17	3/8-16 x 1" Grade 5 Zinc Plated Hex Cap Screw	Pkg of 50	3-30-1134-50	Y
18	5/16"-18 Grade 5 Zinc Plated Finished Hex Nut	Pkg of 100	3-30-8005-100	Y
19	Oakwood Legs	Qty. 4 req.	4-00-249100P	Y
20	5/16-18 x 2" Zinc Plated Carriage Bolt	Pkg of 25	3-30-4001-25	Y
21	Ash Pan Assembly		1-10-02736A	Y
22	Door Assembly		1-10-02748A	Y
	Glass		3-40-02749	Y
	Glass Gasket		1-00-2312	Y
	Door Gasket		1-00-00888	Y
23	Ash Door Assembly		1-10-02763A	Y
	Door Latch		1-00-249119	Y
24	Filter 16" x 16" x 1"		3-40-16161	
25	Filter Cover		2-00-02762B	
26	1/4-20 Wing Screw with Collar	Pkg of 10	3-31-782108-10	Y
27	Blower Assembly		1-10-02718A	
	Blower Distribution		3-21-47120	Y
28	Grate Holder Assembly W/O Inserts		1-10-01000	Y
	Grate Inserts	Qty 2 req.	4-00-00046D	Y
29	1/4-20 x 1/2" Grade 5 Zinc Plated Hex Cap Screw Packaged	Pkg of 50	3-30-1108-50	Y
30	1/4"-20 x 1/2" Alloy Steel Black Oxide Flat Head Cap Screw	Pkg of 100	3-30-7001-100	Y

Additional service parts on following page.

#43 Feeder Assembly



IMPORTANT: THIS IS DATED INFORMATION. When requesting service or replacement parts for your appliance please provide model number and serial number. All parts listed in this manual may be ordered from an authorized dealer.

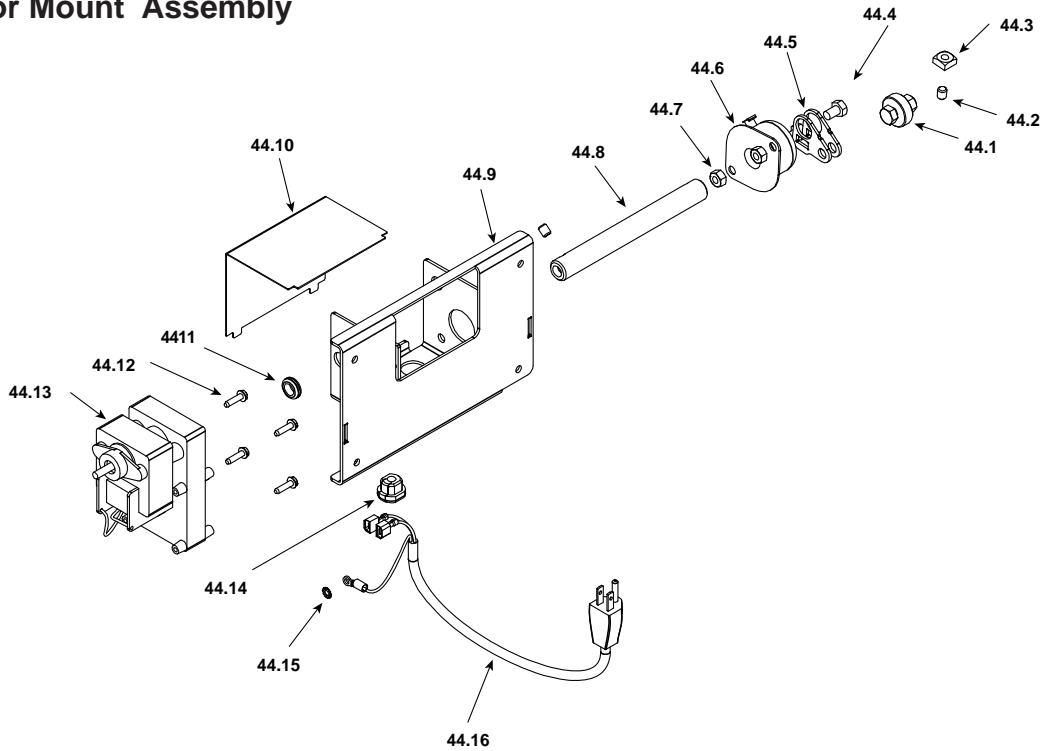


**Stocked
at Depot**

ITEM	Description	COMMENTS	PART NUMBER	
43	Feeder Assembly		1-10-02700A	Y
43.1	Pusher Block Scraper		2-00-02772B	Y
43.2	Pusher Block Slide Weldment		1-10-02749W	Y
43.3	5/16-18 x 1/2" Grade 5 Zinc Plated Hex Cap Screw	Pkg of 50	3-30-1122-50	Y
43.4	Pusher Arm Weldment		1-10-02708W	Y
43.5	5/16"-18 Grade 5 Zinc Plated Finished Hex Nut	Pkg of 100	3-30-8005-100	Y
43.6	Pillow Block		3-31-324122	Y
43.7	1/4"-20 Zinc Plated Finished Hex Nut	Pkg of 100	3-30-8004-100	Y
43.8	HCS 1/4-20 X 1/2"	Pkg of 50	3-30-1108-50	Y
43.9	SH Shoulder Screw 5/16-18 X 3/8" X 3/8"		3-30-131180759	
43.10	Pusher Block		3-50-02777	Y
43.11	Fines Tray		2-00-02746B	Y
43.12	Washer - 1/4" Contact Spring	Pkg of 10	3-30-0300252-10	
43.13	Feeder Cleanout Slide		2-00-00048P	Y
43.14	Feeder Weldment		1-10-02701W	Y

Additional Service Parts on following page

#44 Motor Mount Assembly



IMPORTANT: THIS IS DATED INFORMATION. When requesting service or replacement parts for your appliance please provide model number and serial number. All parts listed in this manual may be ordered from an authorized dealer.



**Stocked
at Depot**

ITEM	Description	COMMENTS	PART NUMBER	
44	Motor Mount Assembly		1-10-02760A	Y
44.1	Cam Bearing		3-31-3014	
44.2	5/16"-18 x 3/8" Alloy Steel Black Oxide Knurled Point SSS	Pkg of 25	3-30-2004-25	Y
44.3	5/16-18 Zinc Plated Square Nut	Pkg of 50	3-30-8025-50	Y
44.4	5/16-18 x 1/2" Grade 5 Zinc Plated Hex Cap Screw	Pkg of 50	3-30-1122-50	Y
44.5	Laser Cam Assembly		1-10-02764A	Y
44.6	Pillow Block		3-31-324122	Y
44.7	5/16"-18 Grade 5 Zinc Plated Finished Hex Nut	Pkg of 100	3-30-8005-100	Y
44.8	Extension Shaft		2-00-02706	Y
44.9	Back Cover		2-00-02705B	
44.10	Wire Cover		2-00-02773B	
44.11	Grommet 7/16" ID X 3/4" OD		3-31-960021	
44.12	HWH TCS 10-24X3/4 BLACK OX TYPE F	Pkg of 50	3-30-1102-50	Y
44.13	Pellet Feeder Gearmotor-4RPM		3-20-60906	Y
44.14	Cord Clamp		3-20-12402	
44.15	#10 External Toothlock Washer	Pkg of 100	3-30-0001-100	Y
44.16	22" Power Cord Feed Motor		3-20-29523	Y
	Male Disconnect (Power Cord)	Pkg of 25	1-00-00957	Y
	Ring Terminal (Power Cord Green)	Pkg of 25	1-00-01003	Y