

No one builds a better fire

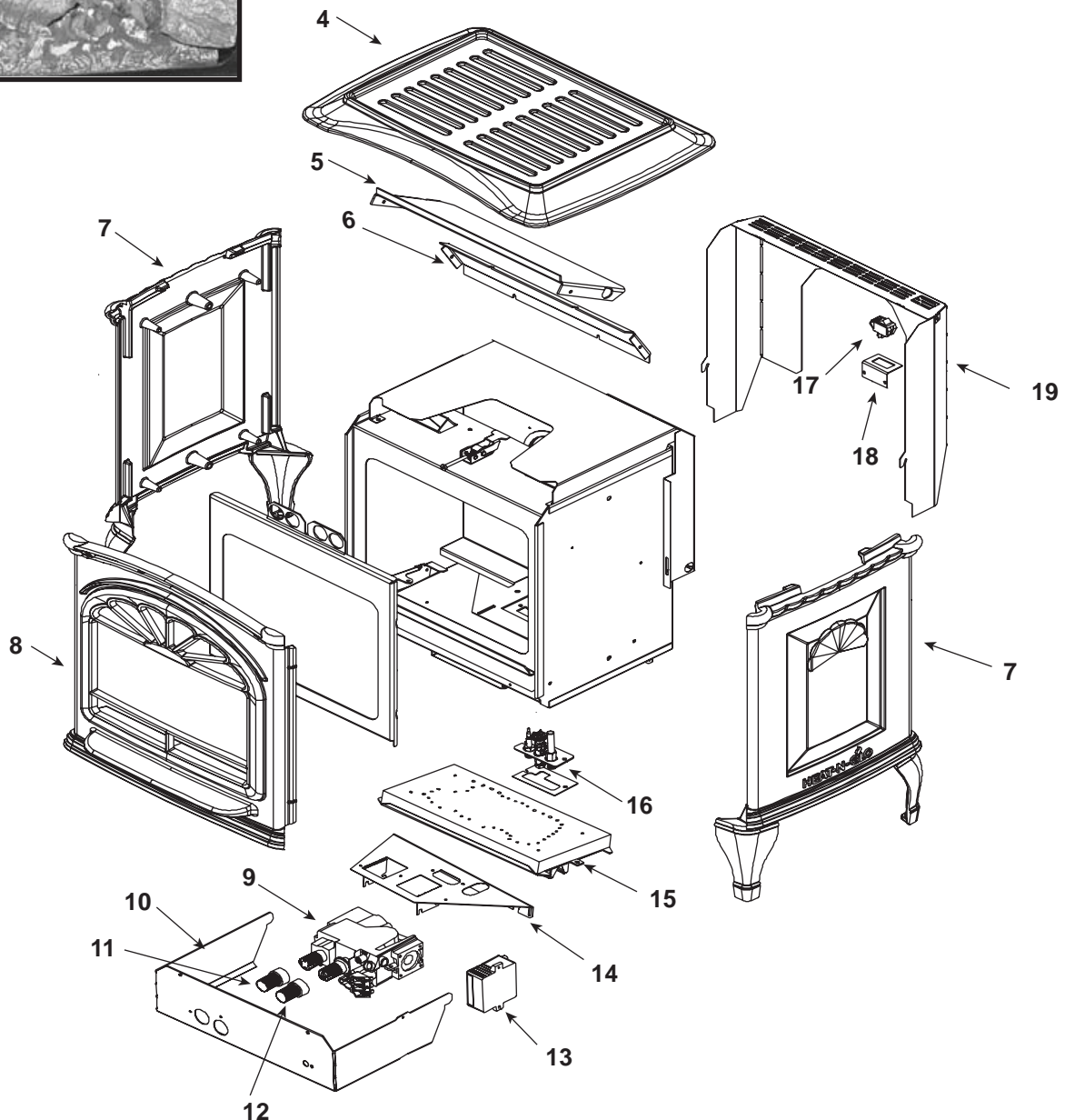
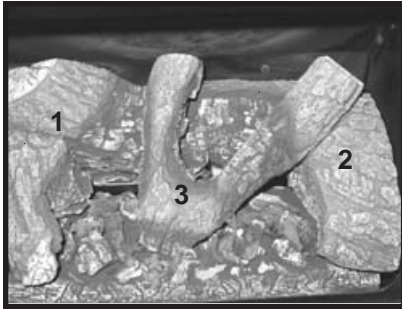
Direct Vent Stove

Beginning Manufacturing Date: June 2004
Ending Manufacturing Date: Active

Color	SKU No.	Mfg. Dates
Matte Black	TiaraP-BK	6/04-Active
Brown	TiaraP-BR	6/04-Active
Espresso	Tiarap-CES	9/07-Active

Color	SKU No.	Mfg. Dates
Almond	TiaraP-AL	6/04-8/05
Almond	TiaraP-AL-B	8/05-3/07
Green	TiaraP-GR	6/04-8/05
Tuscan Olive	Tiarall-CTO	9/07-3/11

Log Set Assembly



Part number list on following page.

No one builds a better fire

Beginning Manufacturing Date: June 2004

Ending Manufacturing Date: Active

IMPORTANT: THIS IS DATED INFORMATION. When requesting service or replacement parts for your appliance please provide model number and serial number. All parts listed in this manual may be ordered from an authorized dealer.



**Stocked
at Depot**

ITEM	DESCRIPTION	COMMENTS:	PART NUMBER	
	Log Set Assembly		LOGS-TPB	Y
1	Log 1		7026-106	
2	Log 2		7026-105	
3	Log 3		7026-107	
4	Top	TIARAP-AL	476-0010PAL	
		TIARAP-AL-B	476-0010CAL	
		TIARAP-BK	476-0010BK	
		TIARAP-BR	476-0010PBR	
		TIARAP-CES	476-0010CES	
		TIARAP-CTO	476-0010CTO	
5	Baffle		7016-125	
6	Baffle, Back		7016-126	
7	Side Left or Right	TIARAP-AL	476-0020PAL	
		TIARAP-AL-B	476-0020CAL	
		TIARAP-BK	476-0020BK	
		TIARAP-BR	476-0020PBR	
		TIARAP-CES	476-0020CES	
		TIARAP-CTO	476-0020CTO	
8	Front	TIARAP-AL	476-0030PAL	
		TIARAP-AL-B	476-0030CAL	
		TIARAP-BK	476-0030BK	
		TIARAP-BR	476-0030PBR	
		TIARAP-CES	476-0030CES	
		TIARAP-CTO	476-0030CTO	
9	Valve, NG		842-0240	Y
	Valve, LP		842-0230	Y
10	Valve Cover		7016-133	
11	Extension Knob, ON/OFF		571-534	Y
12	Extension Knob, HI/LO		571-533	Y
13	Ignition Module		230-1880	Y
14	Valve Bracket		7016-142	
15	Burner w/Neck Assembly		SRV7026-014	Y
16	Pilot Assembly		230-1781	Y
17	ON/OFF Rocker Switch		230-0730	Y
18	Switch Bracket		7016-143	
19	Back Shield		7016-140	

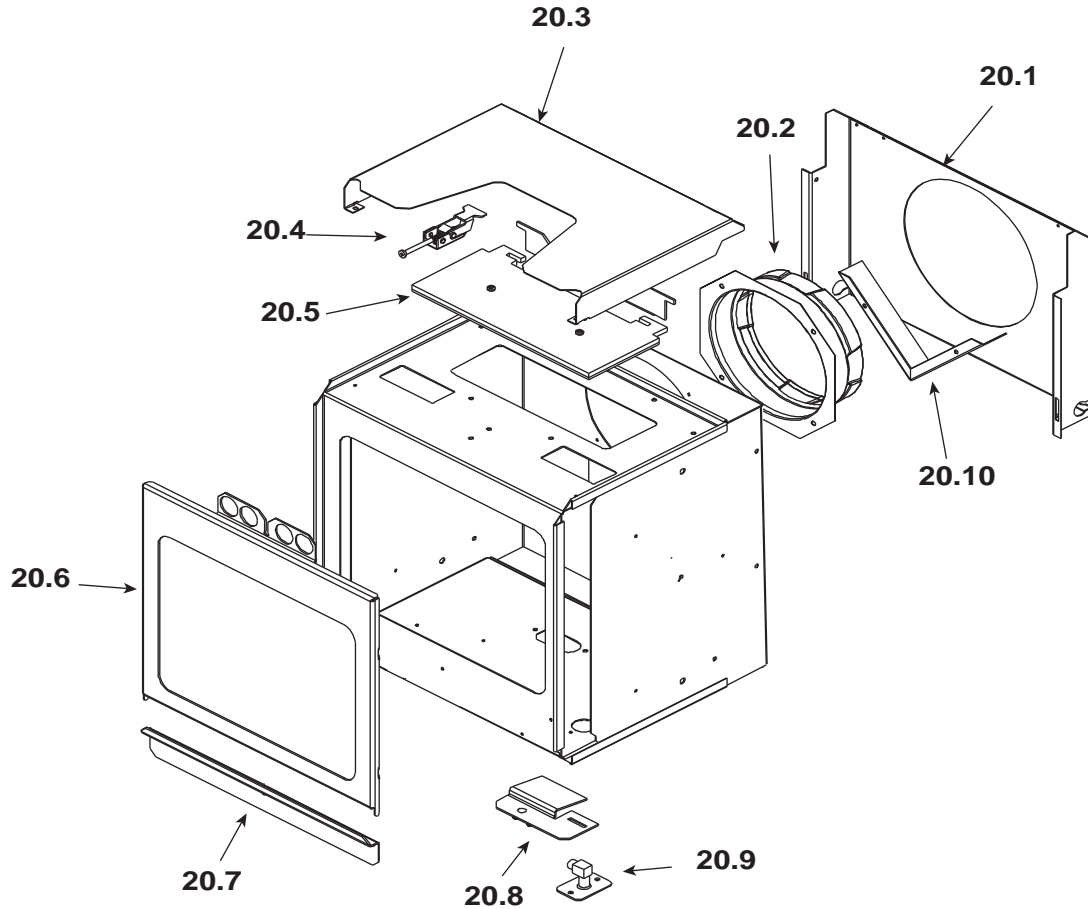
Additional service part numbers appear on following page.

No one builds a better fire

Beginning Manufacturing Date: June 2004

Ending Manufacturing Date: Active

20 Firebox Assembly



IMPORTANT: THIS IS DATED INFORMATION. When requesting service or replacement parts for your appliance please provide model number and serial number. All parts listed in this manual may be ordered from an authorized dealer.



**Stocked
at Depot**

ITEM	DESCRIPTION	COMMENTS:	PART NUMBER	
20.1	Blower Shroud Back		7016-132	
20.2	Adapter, DV		7000-162	
	Gasket, Adapter Elbow		460-0610	
20.3	Blower Shroud Top		7016-118	
20.4	Latch, Draw		229-0640	Y
20.5	Relief Door Assembly		7016-005	
	Relief door Bracket		7016-121	
20.6	Door w/ Glass Assembly		GLA-TPB	Y
	Door Frame Only		7016-117	
	Glass Assembly, Only		GLA-TP	Y
20.7	Door Retainer		7016-134	
20.8	Air Shutter Assembly		SRV7016-034	Y
20.9	Bulk Head w/Flex Tube		7000-156	Y
20.10	Flue Shield		7016-130	

Additional service part numbers appear on following page.

No one builds a better fire

Beginning Manufacturing Date: June 2004

Ending Manufacturing Date: Active

IMPORTANT: THIS IS DATED INFORMATION. When requesting service or replacement parts for your appliance please provide model number and serial number. All parts listed in this manual may be ordered from an authorized dealer.



**Stocked
at Depot**

ITEM	DESCRIPTION	COMMENTS:	PART NUMBER	
	Blower Assembly (Optional)		BK-GAS	
	Burner Stop		7010-152	
	Burner Support		7016-120	
	Component Pack	TIARAP-AL	7026-007	
		TIARAP-AL-B	7026-010	
		TIARAP-BK	7026-003	
		TIARAP-BR	7026-008	
		TIARAP-CES	7026-011	
		TIARAP-CTO	7026-012	
		TIARAP-GR	7026-009	
	Damper Assembly		7016-006	
	Flex Line 3/8 Flare X 22L		7000-197	Y
	Flue collar		7016-122	
	ON/OFF Valve		15697	Y
	Orifice, NG, (#49)		842-1220	Y
	Orifice, LP, (#56)		842-1100	Y
	Pilot Shield		7016-164	
	Pilot Spacer		7016-165	
	Restrictor		7016-145	
	Snap Disc Bracket		7009-108	
	Touch-Up Paint	TIARAP-AL	855-0390	
		TIARAP-AL-B	TOUCHUP-CCR	
		TIARAP-BK	812-0910	
		TIARAP-PBR	210-0710	
		TIARAP-CES	TOUCHUP-CES	
		TIARAP-CTO	TOUCHUP-CTO	
		TIARAP-GR	72101A	
	Wire Harness		7010-156	
	Conversion Kit NG		NGK-TPB	Y
	Conversion Kit LP		LPK-TPB	Y
	Pilot Orifice NG		842-4440	Y
	Pilot Orifice LP		200-2630	Y
	Regulator NG		230-1570	Y
	Regulator LP		230-1520	Y