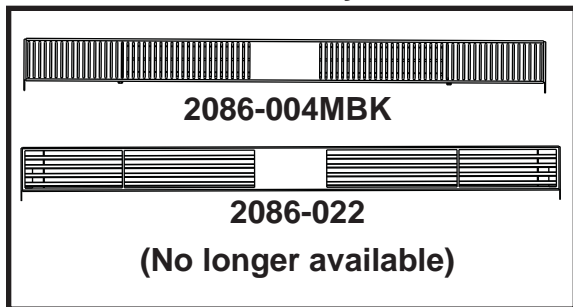
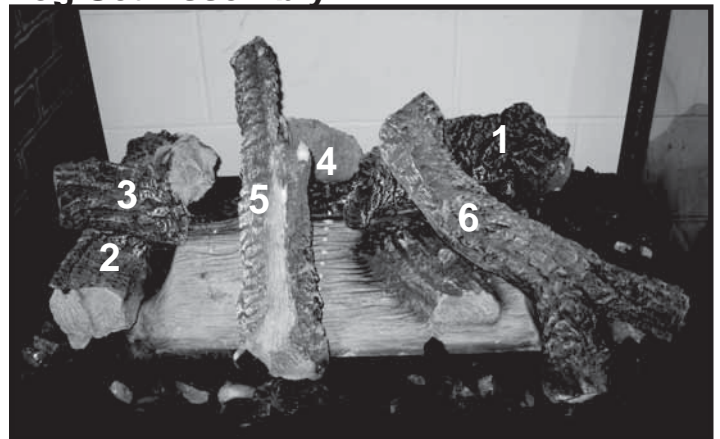


Wind Screen Assembly



Log Set Assembly



Part number list on following page.

IMPORTANT: THIS IS DATED INFORMATION. When requesting service or replacement parts for your appliance please provide model number and serial number. All parts listed in this manual may be ordered from an authorized dealer.

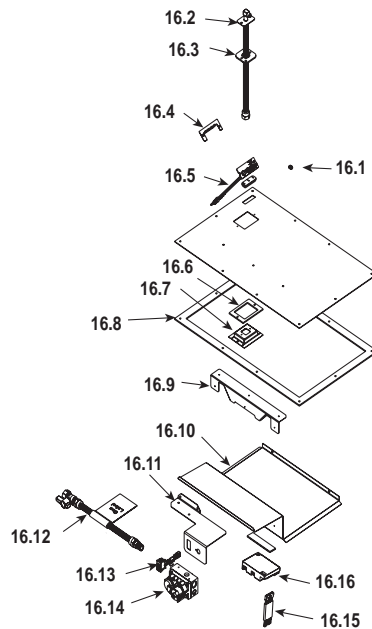


**Stocked
in Depot**

ITEM	DESCRIPTION	COMMENTS	PART NUMBER	
	Log Assembly /Burner Assembly	Pre SN #0021355692	SRV2087-004	Y
	Log Set Assembly	Post SN # 0021355692	LOGS-MSR	Y
1	Log 1		SRV2005-701	
2	Log 2		SRV2005-700	
3	Log 3		SRV2005-702	
4	Log 4		SRV2005-703	
5	Log 5		SRV2005-704	
6	Log 6		SRV2005-705	
7	Log Set Assembly /Burner Assembly	Pre SN #0021355692	SRV2087-004	Y
	Burner Assembly	Post SN # 0021355692	2087-004	Y
8	Refractory, Side		SRV2005-730	
9	Grate Assembly		2005-012	
10	Indoor Glass Assembly		GLA-6TROC	Y
11	Hood - Interior Side		SRV60-143-BK	
12	Glass Clip		2087-121	
13	Junction Box		4021-013	Y
14	Junction Box Shield		2087-149	
15	Outdoor Glass Assembly		GLA-OUTDOOR2	
	Glass Latch Assembly	Pkg of 2	33858/2	Y
	Lava Rock Bag		2005-790	
	Mineral Wool		050-721	
	Non-Combustible Boards (set only)		2108-030	
	Touch Up Paint	Exterior	SRV2087-999-A12	
		Interior	TUP-GBK-12	
	Trim Kit, Black		TL-TRIM-BK	
	Cover Panel	No longer available	2086-149	
		All Others	2086-114MBK	
	Deflector Panel		2086-136MBK	
	Flashing		2087-159	
	Hood-Exterior Side		2086-113MBK	
	Outdoor Surround		2086-130MBK	
	Wind Screen Assembly	See service parts diagram		
	Conversion Kit NG		NGK-TWI	Y
	Conversion Kit LP		LPK-TWI	Y
	Pilot Orifice NG		593-528	Y
	Pilot Orifice LP		593-527	Y
	Regulator NG		NGK-DXF	Y
	Regulator LP		LPK-DXF	Y

Additional service part numbers appear on following page.

#16 Valve Assembly



IMPORTANT: THIS IS DATED INFORMATION. When requesting service or replacement parts for your appliance please provide model number and serial number. All parts listed in this manual may be ordered from an authorized dealer.



**Stocked
in Depot**

ITEM	DESCRIPTION	COMMENTS	PART NUMBER	Stocked in Depot
16.1	Burner Orifice (NG) (#32C)		582-832	Y
	Burner Orifice (LP) (#50C)		582-850	Y
16.2	12" Flex Tube Assembly		383-302A	Y
16.3	Burner Neck Gasket		438-407	
16.4	Bracket, Pilot Support Assembly		385-120	
16.5	Pilot Assembly NG		2090-012	Y
	Pilot Assembly LP		2090-013	Y
	Pilot Tube		446-301	Y
16.6	Orifice Bracket Gasket		2087-110	
16.7	Orifice Bracket		2087-109	
16.8	Valve Plate Gasket		2087-112	
16.9	Valve L Bracket		674-168	
16.10	Valve Bracket		2087-117	
16.11	Valve Bracket		2087-116	
16.12	Flex Ball Valve Assembly		302-320A	Y
16.13	ON/OFF Rocker Switch		060-521A	Y
16.14	Valve NG		593-500	Y
	Valve LP		593-501	Y
16.15	Wire Assembly		593-590A	Y
16.16	Control Module		593-592	Y
	Battery Pack		593-594A	Y
	Power Supply		593-593A	Y