

### Log Set Assembly



Part number list on following page.

IMPORTANT: THIS IS DATED INFORMATION. When requesting service or replacement parts for your appliance please provide model number and serial number. All parts listed in this manual may be ordered from an authorized dealer.



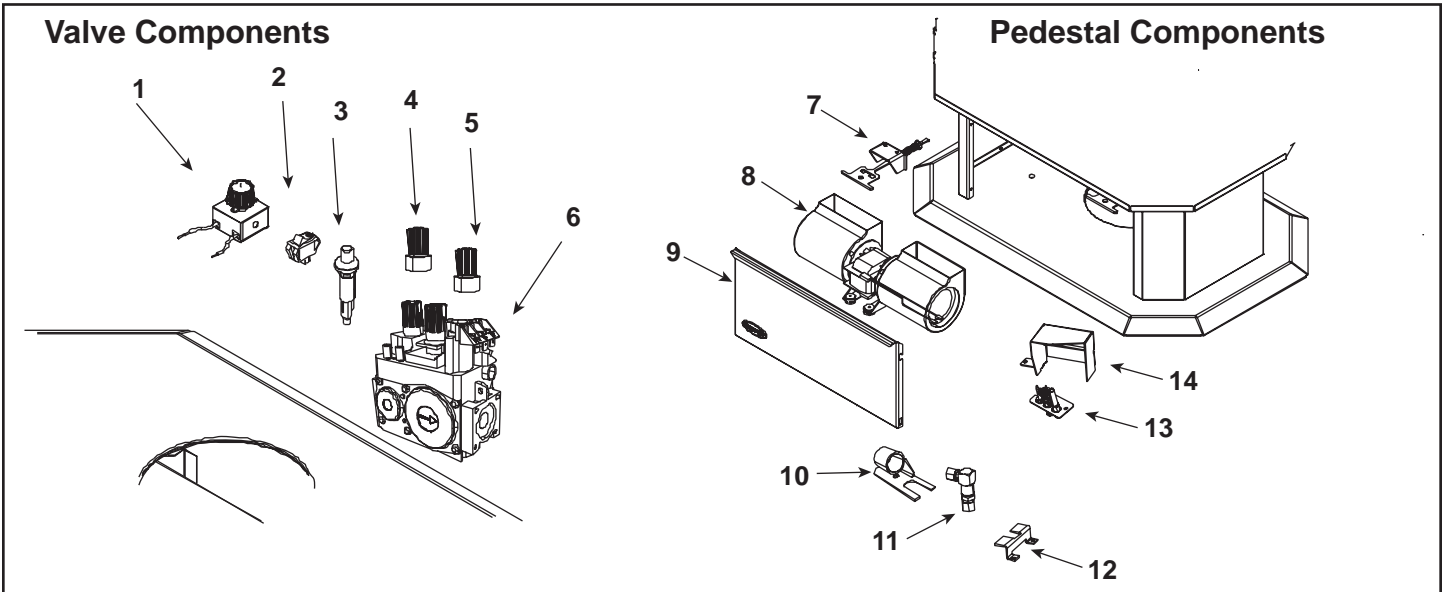
**Stocked  
at Depot**

ITEM	DESCRIPTION	COMMENTS	PART NUMBER	
	Log Set Assembly		7008-012	Y
1	Top Assembly	Pre SN 0021621084	SRV7003-010	
		Post SN 0021621084	7003-010	
2	Outer Skin	Pre SN 0021621084	SRV7003-117	
		Post SN 0021621084	7003-117	
3	Latch Assembly (Qty 2 reg) (Stationary)		7003-006	Y
4	Refractory Assembly		7008-002	
5	Grill Bar Assembly BLACK	Pre SN 0021621084	SRV7008-010	
		Post SN 0021621084	7008-010	
	Grill Bar Assembly	Gold	LVGRL-GD	
		Nickel	LVGRL-NL	
6	Door Assembly	Pre SN 0021621084	DOOR-HUDBAY	
		Post SN 0021621084	DOOR-HUDBAY-B	
7	Door Crown , BLACK	Pre SN 0021621084	SRV462-0150	
		Post SN 0021621084	462-0150	
	Door Crown	Gold	DC-BAY-GD	
		Nickel	DC-BAY-NL	
8	Burner Assembly		7008-004	Y
9	Side Curtain Mount		479-0110	
10	Valve Cover	Pre SN 0021621084	SRV7003-119	
		Post SN 0021621084	7003-119	
	Adaptor	Inner 4"	200-2470	
	Adaptor	6 5/8"	7000-162	
	Brick Retainer		479-0190	
	Electrode	EZ Flush 42	842-4580	Y
	Fan Deflector		468-0190	
	Flex Line	3/8 comp x 30 "	200-2940	Y
	Flex Line	24"	2098-034	Y
	Mineral Wool		050-721	
	Orifice LP (.076) Port		29388	Y
	Orifice NG (.125)		24691	Y
	Power Cord		832-2410	Y
	Snap Disc		230-0960	Y
	Wire Harness		474-0350	Y
	Component Pack		7003-007	
	Contains: Mineral Wool; On/off Flex Assembly, Pilot Injector, EZ,35,, Regulator LP, Orifice 0.76 port, Burner neck			
	Thermocouple		200-2950	Y
	Thermopile		842-0250	Y
	Touch Up Paint	Pre SN 0021621084	7000-304	
		Post SN 0021621084	TUP-GBK-12	

Additional service part numbers appear on following page.

Valve and Pedestal Components  
Hudson Bay Free Standing

Beginning Manufacturing Date: April 2003  
Ending Manufacturing Date: Active



**IMPORTANT: THIS IS DATED INFORMATION.** When requesting service or replacement parts for your appliance please provide model number and serial number. All parts listed in this manual may be ordered from an authorized dealer.



**Stocked  
In Depot**

ITEM	DESCRIPTION	COMMENTS	PART NUMBER	Stocked In Depot
1	Speed Control		842-0370	Y
	Knob		200-2041	Y
2	On/Off Rocker Switch		230-0730	Y
3	Piezo Ignitor		291-513	Y
4	Knob On/Off		571-534	Y
5	Knob Hi/Lo		571-533	Y
6	Valve NG		842-0240	Y
	Valve LP		842-0230	Y
	Valve Bracket		7003-118	
7	Latch Assembly (Qty 2 req)		7003-005	Y
8	Blower		812-4900	Y
	Blower Plate		457-0560	
	Blower Bracket		474-0210	
9	Pedestal Door	Pre SN 0021621084	SRV7003-107	
		Post SN 0021621084	7003-107	
10	Air Shutter Assembly		468-5060	Y
11	Bulkhead		26457	Y
12	Bulkhead Stop		474-0090	
13	Pilot Assembly		842-4940	Y
14	Pilot Shield		PS-7008	
	Conversion Kit NG		844-8230	Y
	Conversion Kit LP		LPK-MB	Y
	Pilot Orifice NG		842-4440	Y
	Pilot Orifice LP		200-2630	Y
	Regulator NG		230-1570	Y
	Regulator LP		230-1520	Y